



MEA-1621-AM

IRIDIUM CERTIFIED PASSIVE ANTENNA

Part #: 189-00067-01

Description

The MEA-1621-AM is an external antenna designed for the Iridium Network and is Iridium Certified. The antenna provides exceptional pattern control, polarization purity and high efficiency. It offers excellent performance at low orbit and a sleek, low profile design with adhesive mounting, featuring an integrated SMA connector and is rated IP-67 when mounted and unmounted. It can be used to boost the performance of the Iridium handsets among other uses. This low profile antenna is a magnet mount antenna with rugged ABS plastic housing and is ideal for the most demanding environmental challenges. The MEA-1621-AM provides outstanding performance for any telematics and fleet management application.

Electrical Specifications

Parameter	Specification
Frequency Range	1616-1627 MHz
Bands	1621 MHz
Return Loss	-18.8 dB
VSWR	1.2:1
Efficiency	76%
Peak Gain	4.5 dBiC
Average Gain	-1.1 dB
Impedance	50 Ω
Axial Ratio	≤ 3 dB
Radiation Pattern	Hemispherical
Polarization	RHCP

Mechanical Specification

Parameter	Specification
Antenna Dimensions	80 x 76 x 16 mm
Operating Temperature	-40°C to 85°C
Mounting Type	Adhesive Mount
Random Type	ABS
Random Color	Black
Antenna Base	ABS
Connector Type	SMA-Male Standard
Cable Length	150 cm
Cable Type	LM4100 cable
Substance Compliance	RoHS
Certificates	Iridium Certified



Features

- Optimized for Iridium Network
- Very low axial ratio
- Excellent performance at low orbit
- Easy mounting
- Rugged housing

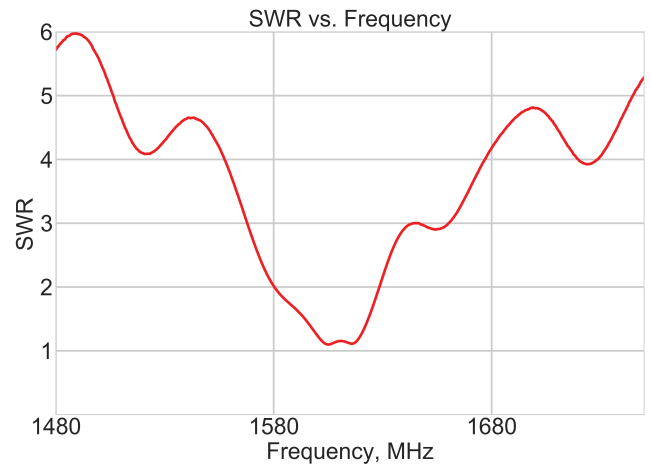
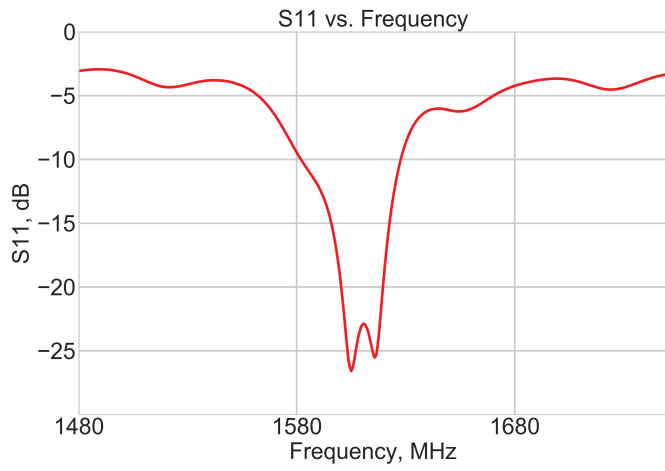
Applications

- Vehicle and fleet tracking
- Military & security
- Asset tracking
- Iridium (SBD) Short Burst Data
- Oil & gas industries
- Navigation devices
- Mining equipment
- LBS & M2M applications
- Handheld devices
- Law enforcement



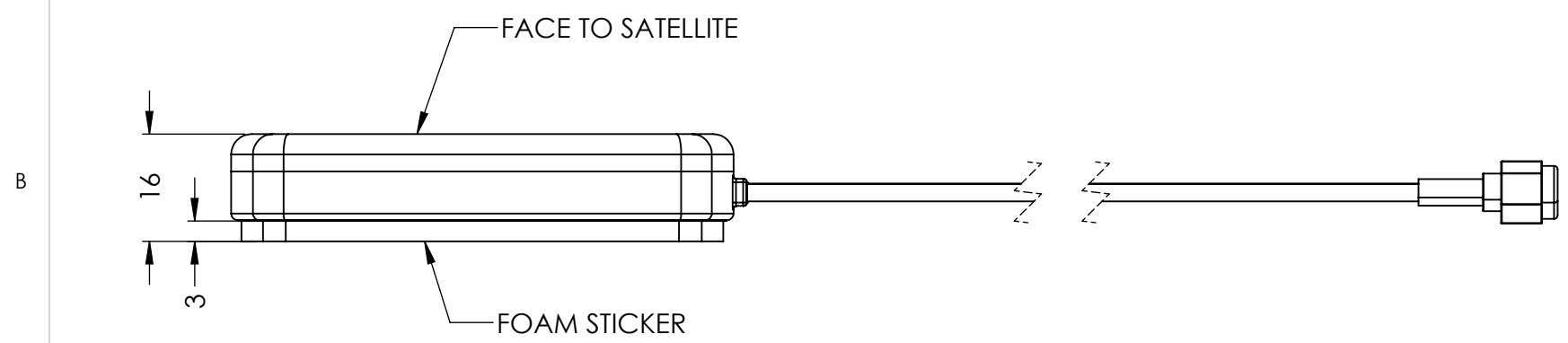
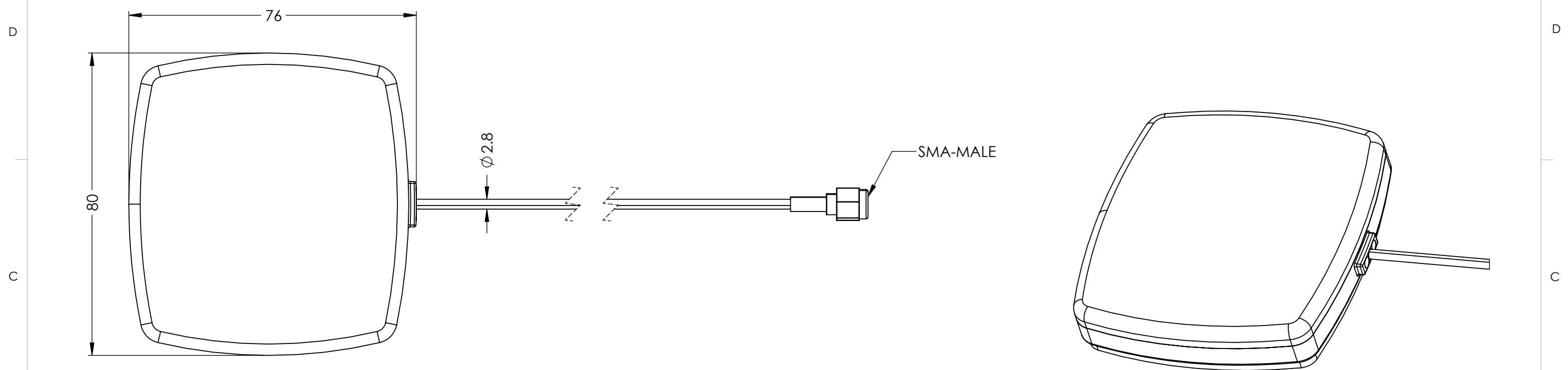
Maxtena Inc.
7361 Calhoun Place, Suite 102
Rockville, MD 20855
1-877-629-8362
info@maxtena.com

www.maxtena.com



Maxtena Inc.
 7361 Calhoun Place, Suite 102
 Rockville, MD 20855
 1-877-629-8362
 info@maxtena.com
www.maxtena.com

DRAWING REVISION HISTORY			
REV	DESCRIPTION	DATE	BY
A	INITIAL RELEASE	2021-06-17	SZ



NOTES:

1. FREQUENCY: IRIDIUM: 1616 ~ 1627 MHz
2. IMPEDANCE: 50 OHM
3. POLARIZATION: RHCP
4. PEAK GAIN: ~4.5 dBiC
5. VSWR: ~1.2
6. HOUSING MATERIAL: BLACK ABS
7. MOUNTING TYPE: ADHESIVE MOUNT
8. CUSTOMIZABLE CABLE AND CONNECTOR
9. OPERATING TEMPERATURE: -40 °C TO +85 °C
10. STORAGE TEMPERATURE: -40 °C TO +85 °C

189-00067 CONFIGURATION TABLE			
DASH NO	CABLE LENGTH	CABLE TYPE	CONNECTOR TYPE
-01	150cm	LMR100	SMA MALE
-02	15ft	RG174	SMA MALE
-03	12in	LMR100	SMA MALE
-04	5.5ft	LMR100	SMA MALE

ITEM 189-00067 REVISION HISTORY			
REV	DESCRIPTION	DATE	BY
A	INITIAL RELEASE	2021-06-17	SZ

UNLESS OTHERWISE SPECIFIED:		NAME	DATE	MAXTENA, INC 189-00067 MEA-1621-AM		
DIMENSIONS ARE IN MM		DRAWN	SZ 2021-06-17			
TOLERANCES:		CHECKED	ZX 2021-06-17			
FRACTIONAL: ±		ENG APPR.	NPC 2021-06-17			
ANGULAR: MACH ± .5° BEND ±		MFG APPR.		117-00466-01		
INTEGER ± 2		Q.A.				
ONE PLACE DECIMAL ± 1.0		CAD MAINTAINED. CHANGES SHALL BE INCORPORATED BY THE DESIGN ACTIVITY.		SIZE	DWG. NO.	REV
TWO PLACE DECIMAL ± .50				B	117-00466-01	A
INTERPRET GEOMETRIC TOLERANCING PER:				CAGE CODE: 5KQH7	SCALE: NONE	SHEET 1 OF 1
 THIRD ANGLE PROJECTION DO NOT SCALE DRAWING						

PROPRIETARY AND CONFIDENTIAL
 THE INFORMATION CONTAINED IN THIS DRAWING IS THE SOLE PROPERTY OF MAXTENA, INC. ANY REPRODUCTION IN PART OR AS A WHOLE WITHOUT THE WRITTEN PERMISSION OF MAXTENA, INC IS PROHIBITED.