



M1590HCT-LP-SM

INMARSAT HOLE MOUNT LOW-PROFILE ANTENNA

Part #: 100-00183-01

Description

The M1590 HCT-LP-SM is a high-performance low-profile antenna designed for the Inmarsat network and built on proprietary Maxtena Helicore® Technology. The Helicore® technology provides exceptional pattern control, polarization purity and high efficiency in a very rugged and compact form factor. The omnidirectional antenna pattern allows this antenna to be easily installed in any location. The antenna features a TNC connector and is design to be through hole mounted onto any surface. Optional mounting brackets for easy installation are available. The antenna is IP67 rated and optimized for harsh environments on both land and maritime applications. The M1590HCT-LP-SM is the most rugged and smallest Inmarsat antenna on the market.

Electrical Specifications

Parameter	Specification
Frequency Range	1525-1560MHz, 1625-1660MHz
Polarization	RHCP
Antenna Peak Gain	2 dBic
Peak Efficiency	60%
Beamwidth	157°
VSWR	2.0:1
Impedance	50 Ω

Mechanical Specification

Parameter	Specification
Antenna Dimensions	Φ 79.5 x 38mm
Weight	125 g
Operating Temperature	-40°C to 85°C
RF Connector	TNC
Environmental	IP66 and RoHS Compliant
Attachment Method	19 mm through hole mount



Features

- Optimized for the Inmarsat Network
- IP66 and ROHS compliant
- Ground plane independent
- High gain & low axial ratio
- Through hole mount
- Low profile

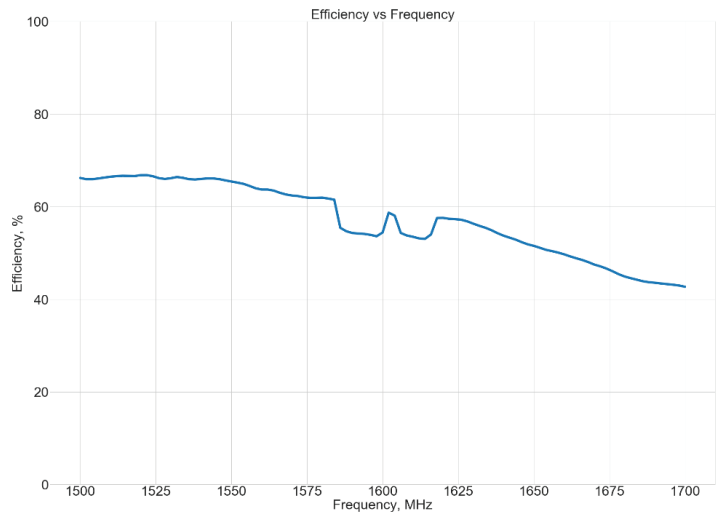
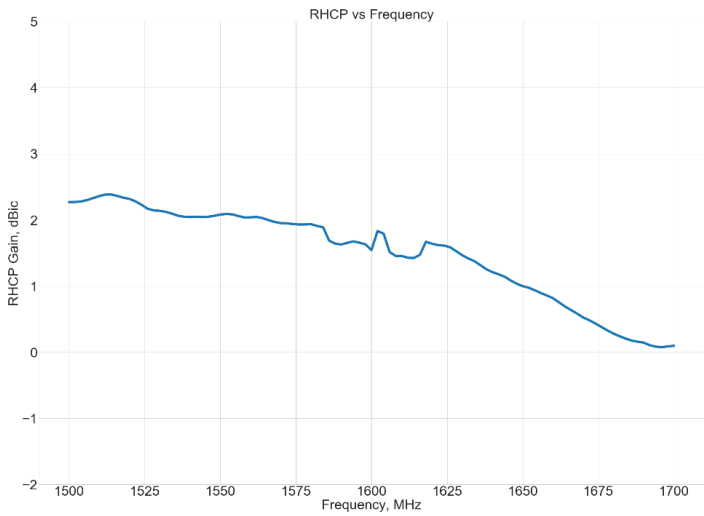
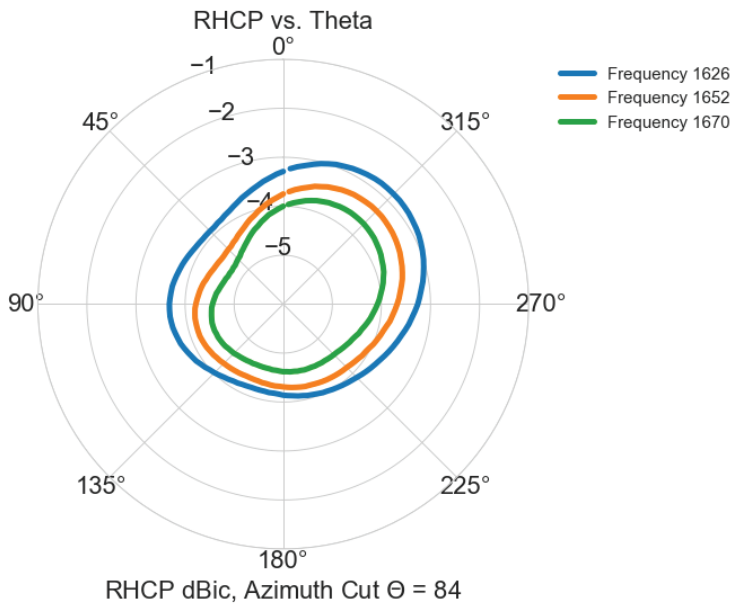
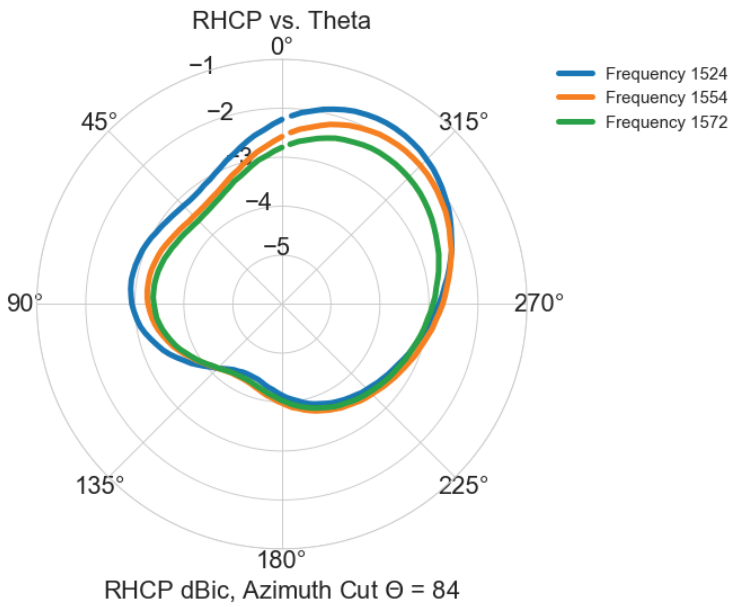
Applications

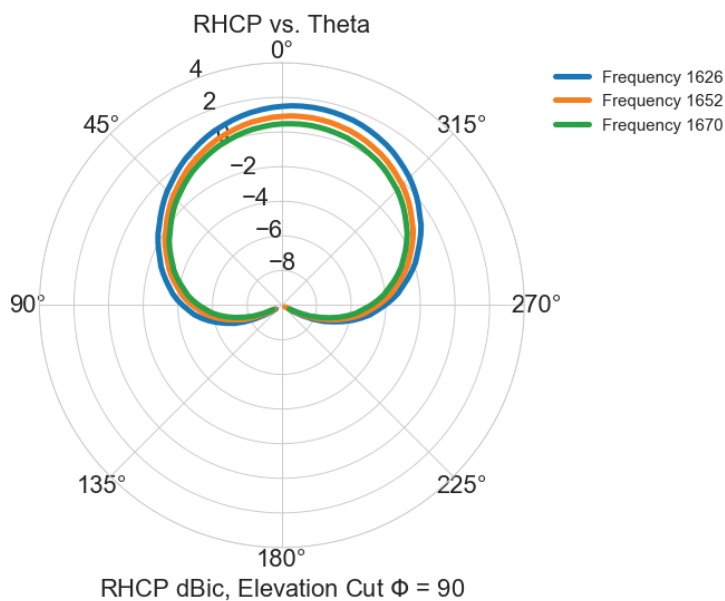
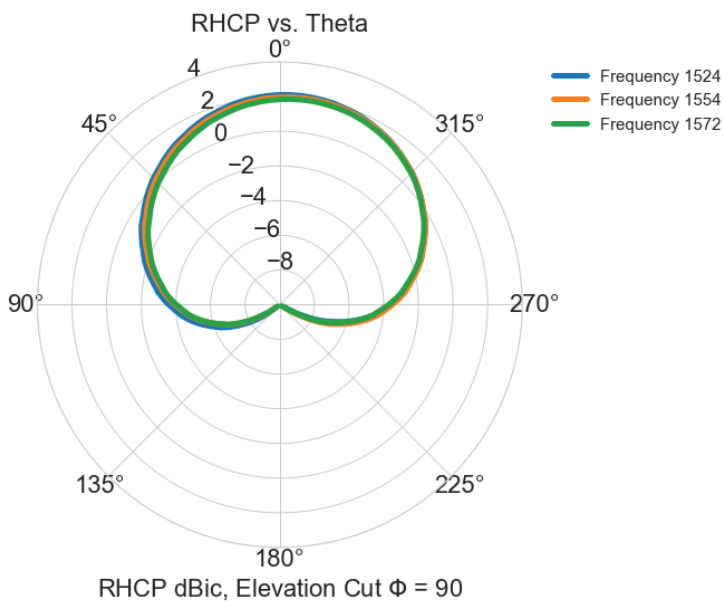
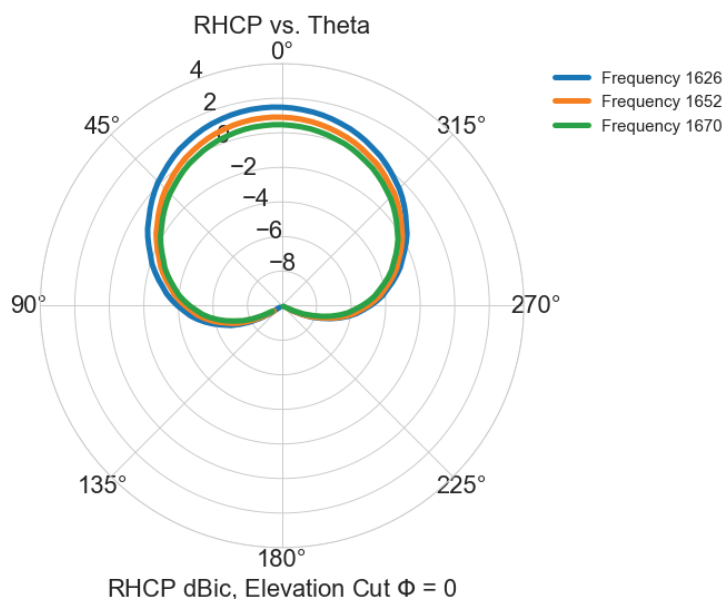
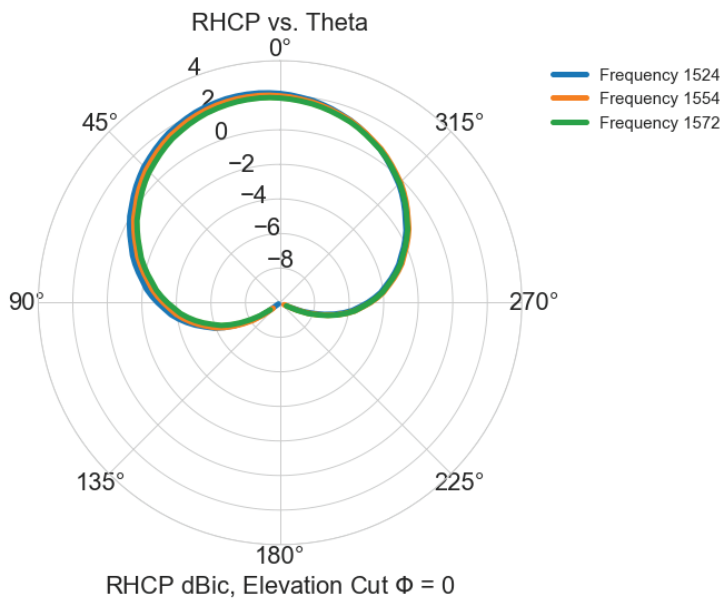
- Inmarsat IOT Applications
- Vehicle and fleet tracking
- Military & security
- Asset tracking
- Oil & gas industries
- Navigation devices
- Mining equipment
- LBS & M2M applications
- Law enforcement



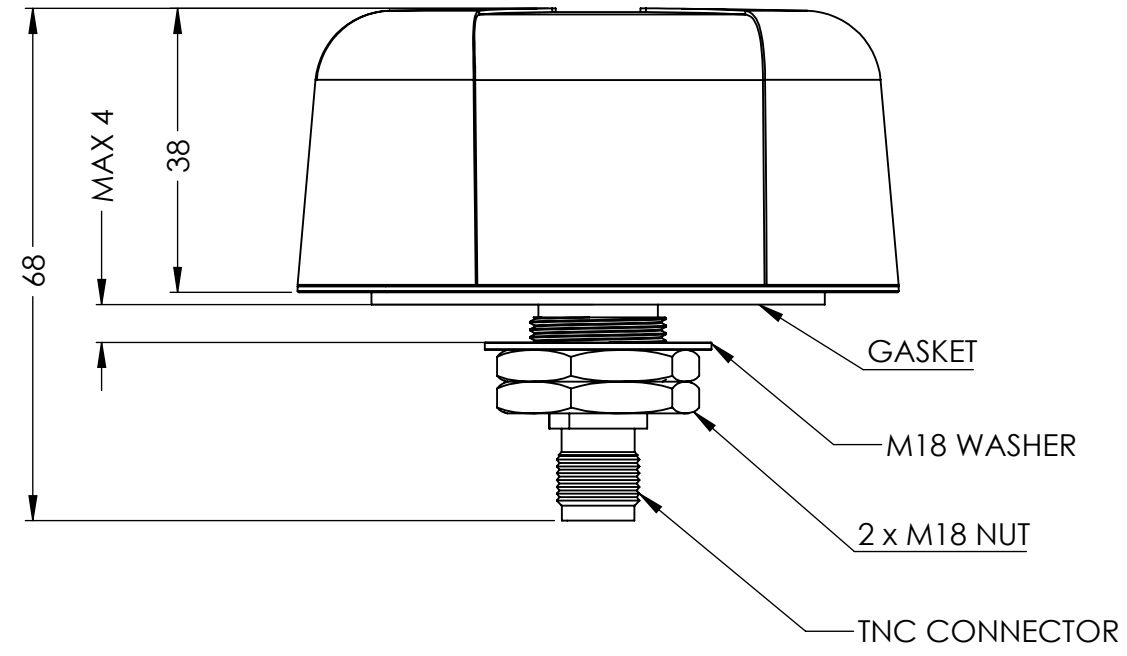
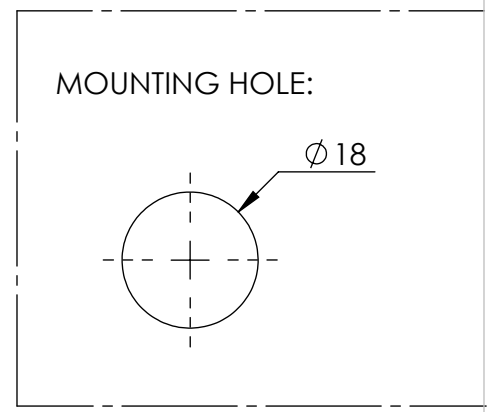
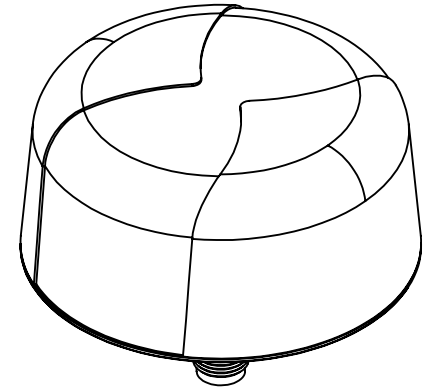
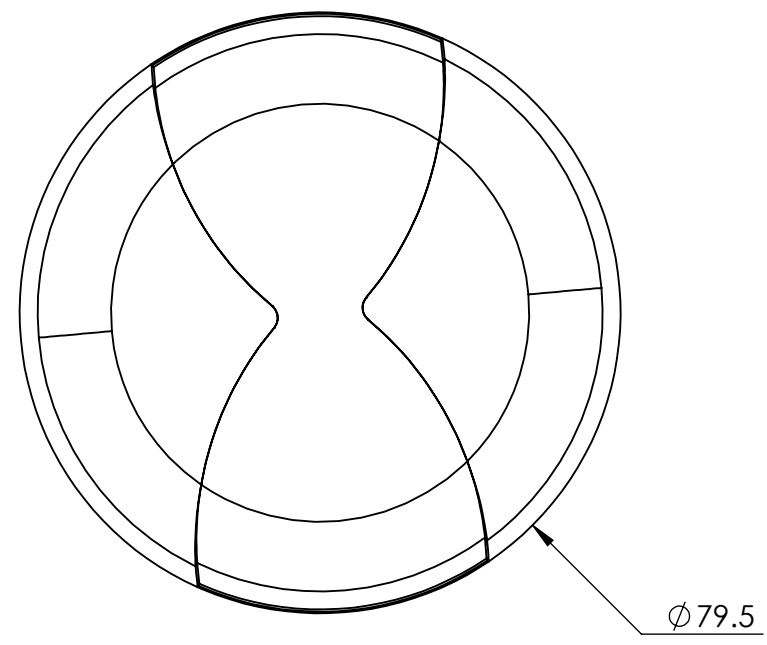
Maxtena Inc.
7361 Calhoun Place, Suite 102
Rockville, MD 20855
1-877-629-8362
info@maxtena.com

www.maxtena.com





DRAWING REVISION HISTORY			
REV	DESCRIPTION	DATE	BY
1	INITIAL RELEASE	2021-06-22	SZ



NOTES:

- DESCRIPTION: INMARSAT HOLE MOUNT LOW PROFILE ANTENNA.
- FREQUENCY: 1525-1560MHz, 1625-1660MHz
- MOUNTING TYPE: SCREW MOUNT
- Max MOUNTING THICKNESS: 4 mm
- CONNECTOR: TNC FEMALE
- WATERPROOF RATE : IP66
- OPERATING TEMPERATURE: -40°C ~ 85 °C
- STORAGE TEMPERATURE: -40°C ~ 85 °C

CONFIGURATION: 100-00183-01

ITEM 100-00183-01 REVISION HISTORY			
REV	DESCRIPTION	DATE	BY
1	INITIAL RELEASE	2021-06-22	SZ

PROPRIETARY AND CONFIDENTIAL

THE INFORMATION CONTAINED IN THIS DRAWING IS THE SOLE PROPERTY OF MAXTENA, INC. ANY REPRODUCTION IN PART OR AS A WHOLE WITHOUT THE WRITTEN PERMISSION OF MAXTENA, INC IS PROHIBITED.

UNLESS OTHERWISE SPECIFIED:	NAME	DATE
DIMENSIONS ARE IN MM	DRAWN	SZ 2021-06-22
TOLERANCES:	CHECKED	ZX 2021-06-22
FRACTIONAL ±	ENG APPR.	NPC 2021-06-22
ANGULAR: MACH ± .5° BEND ±	MFG APPR.	
INTEGER ± 1	Q.A.	
ONE PLACE DECIMAL ± 1.0		
TWO PLACE DECIMAL ± .50		
INTERPRET GEOMETRIC TOLERANCING PER:		
	CAD MAINTAINED. CHANGES SHALL BE INCORPORATED BY THE DESIGN ACTIVITY.	
THIRD ANGLE PROJECTION		
DO NOT SCALE DRAWING		

MAXTENA, INC		
TITLE: 100-00183-01		
M1590HCT-LP-SM		
SIZE	DWG. NO.	REV
B	117-00472-01	1
CAGE CODE: 5KQH7	SCALE: NONE	SHEET 1 OF 1