



M1561HCT-22-P

PASSIVE GPS GLONASS BEIDOU ANTENNA

Ordering Part #: 108-00073-02



Description

The M1561HCT-22-P is a high-performance passive antenna designed for the GPS L1, GLONASS and Beidou bands, and built on proprietary Helicore® technology. This technology provides exceptional pattern control, polarization purity, and high efficiency in a very compact form factor. The M1561HCT-22-P is designed for embedded applications and features an integrated 3-pin connector. This product is designed for applications requiring high-quality reception of GPS, GLONASS and Beidou signals. The ultra light design weighs only 2 grams making this antenna ideal for the most demanding, mechanically constrained platforms including handheld devices, asset tracking, seismic recording instruments, and many more.

Electrical Specifications*

Parameter	Design Specifications
Frequency	1575 MHz (GPS)
	1602 MHz (GLONASS)
	1561 MHz (Beidou)
Polarization	RHCP
Antenna element peak gain	-0.5 dBic (typical)
Efficiency	25% (typical)
Bandwidth (-1dB)	(-5 dB) 50 MHz (typical)
Axial Ratio	1 dB (typical) / 1.5 dB (max)
VSWR	1.5 (max)
Impedance	50 Ohm
Operating temp.	from -40°C to 85°C
RF connector	3 Pin OR U.FL
Weight	2 grams

* Declared peak gain and reported radiation pattern are intended for a rotationally symmetrical plastic radome.

Features

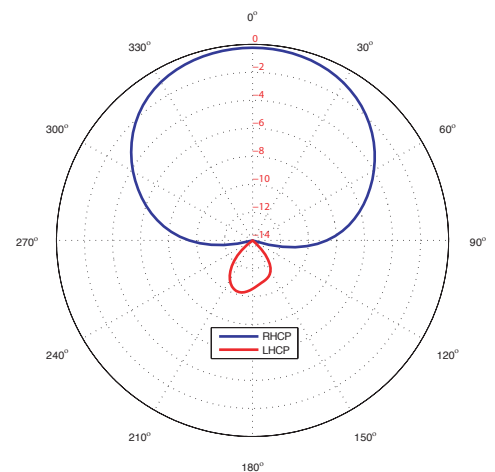
- GPS, GLONASS and Beidou bands
- Very low axial ratio
- Easy integrate 3 pin connector
- Ultra lightweight - 2 grams
- Ground plane independent

Applications

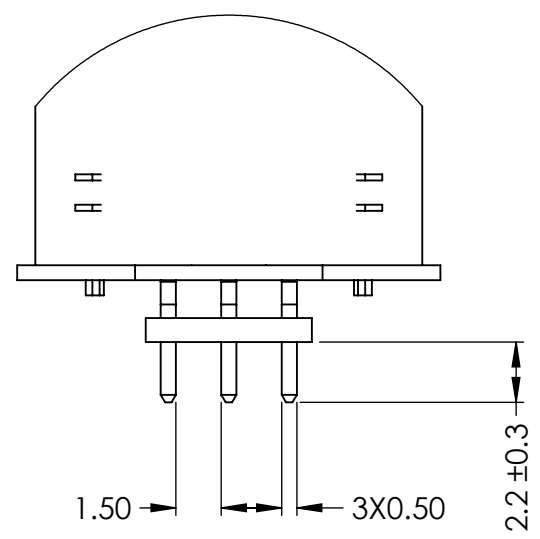
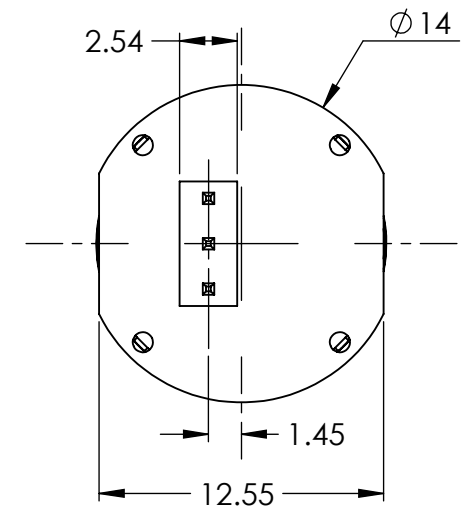
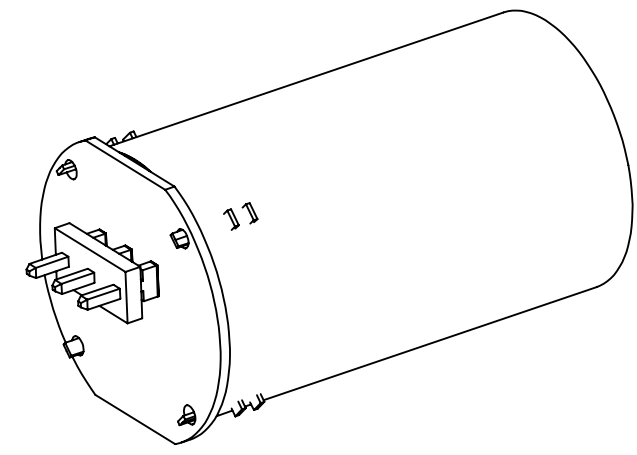
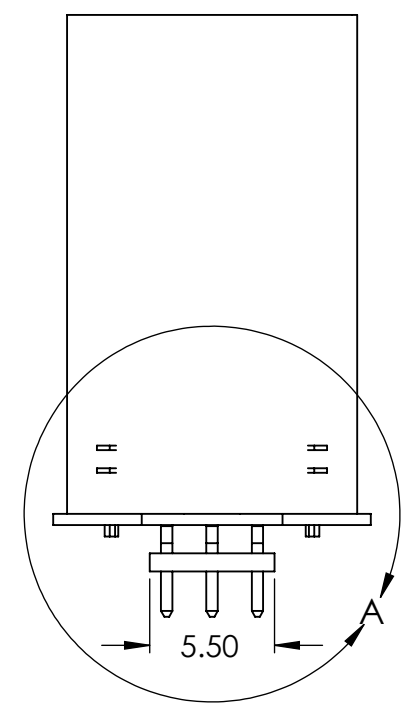
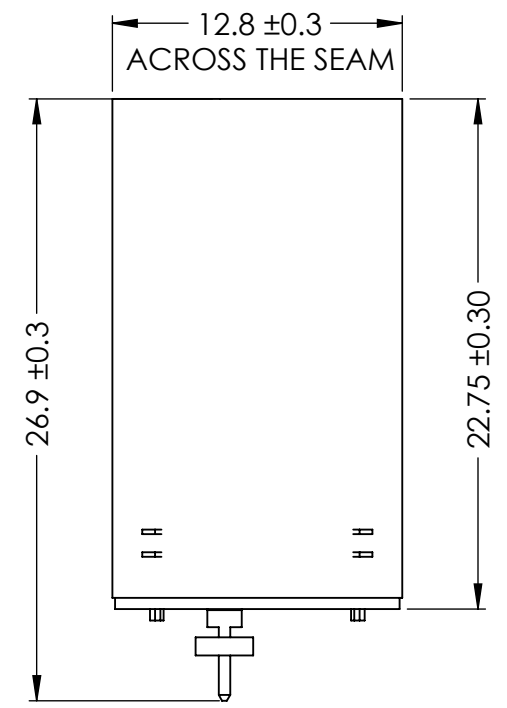
- Vehicle and fleet tracking
- Military & security
- Asset tracking
- Seismic recording instruments
- Oil & gas industries
- Navigation devices
- Mining equipment
- LBS & M2M applications
- Handheld devices

Realized gain plot

Measured at 1575 MHz



DRAWING REVISION HISTORY			
REV	DESCRIPTION	DATE	BY
A	INITIAL RELEASE	2021-02-02	QZ



DETAIL A

ITEM 108-00073-02 REVISION HISTORY			
REV	DESCRIPTION	DATE	BY
A	INITIAL RELEASE	2021-02-02	QZ

PROPRIETARY AND CONFIDENTIAL

THE INFORMATION CONTAINED IN THIS DRAWING IS THE SOLE PROPERTY OF MAXTENA, INC. ANY REPRODUCTION IN PART OR AS A WHOLE WITHOUT THE WRITTEN PERMISSION OF MAXTENA, INC IS PROHIBITED.

UNLESS OTHERWISE SPECIFIED:

DIMENSIONS ARE IN MM
 TOLERANCES:
 FRACTIONAL ±
 ANGULAR: MACH ± .5° BEND ±
 INTEGER ±2
 ONE PLACE DECIMAL ± 1.0
 TWO PLACE DECIMAL ± .50
 INTERPRET GEOMETRIC TOLERANCING PER:

	NAME	DATE
DRAWN	QZ	2020-02-02
CHECKED	ZX	2020-02-04
ENG APPR.	NPC	2020-02-04
MFG APPR.		
	Q.A.	

CAD MAINTAINED.
 CHANGES SHALL BE INCORPORATED BY THE DESIGN ACTIVITY.

THIRD ANGLE PROJECTION
 DO NOT SCALE DRAWING

MAXTENA, INC

TITLE: 108-00073-02
 M1561HCT-22-P
 GPS/GLONASS/BEIDOU

SIZE B DWG. NO. 117-00399-02 REV A

CAGE CODE: 5KQH7 SCALE: NONE SHEET 1 OF 1