



# MEA-LTE3MM-SMA

CELLULAR / LTE Magnetic Mount  
Part #: 100-00185-01

## Description

The MEA-LTE3MM-SMA is a dual-port multiband omni-directional LTE antenna. This antenna is designed for 4G LTE covering 698-2700 MHz. The MEA-LTE3MM-SMA is an ultra-low profile rugged antenna used for a variety of cellular LTE applications. The antenna features custom cable length and connectors options. This is an ideal antenna for many IoT installations.



## Electrical Specifications

Parameter	Specification
Frequency Range:	698-960 MHz
Band:	700/850/900 MHz
Return Loss:	-11.2 dB
VSWR:	2.1:1
Efficiency:	56 %
Peak Gain:	2.0 dBi
Average Gain:	-2.6 dB
Frequency Range:	1710-2170 MHz
Band:	1700/1800/1900/2100 MHz
Return Loss:	-12.8 dB
VSWR:	1.6:1
Efficiency:	51 %
Peak Gain:	3.9 dBi
Average Gain:	-2.9 dB
Frequency Range:	2500-2700 MHz
Band:	2600 MHz
Return Loss:	-14.3 dB
VSWR:	1.5:1
Efficiency:	43 %
Peak Gain:	3.5 dBi
Average Gain:	-3.6 dB
Impedance	50 $\Omega$
Polarization	Linear
Radiation Pattern	Omni-Directional
Max. Input Power	25 W

## Features

- CELLULAR / LTE - 698-960 MHz, 1710-2170 MHz, 2500-2700 MHz
- Magnetic Mount
- Rugged design
- High Performance
- Customizable Cable and Connector
- Dimensions  $\varnothing$  54 x 80 mm
- IP67, IP69K

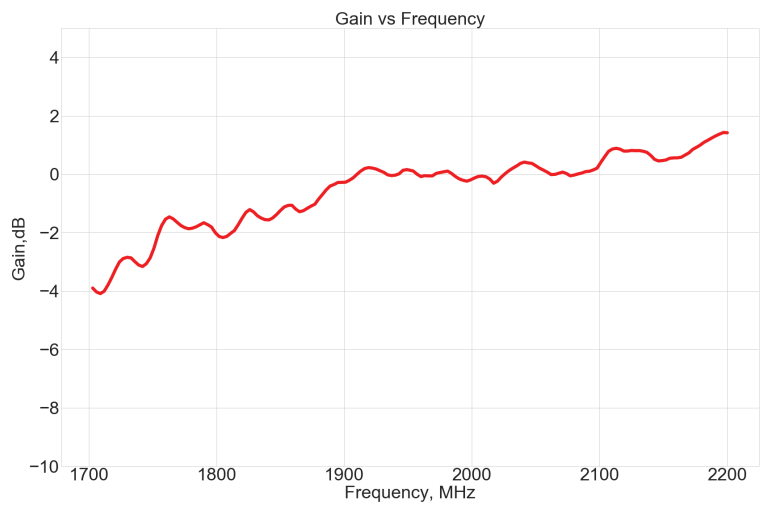
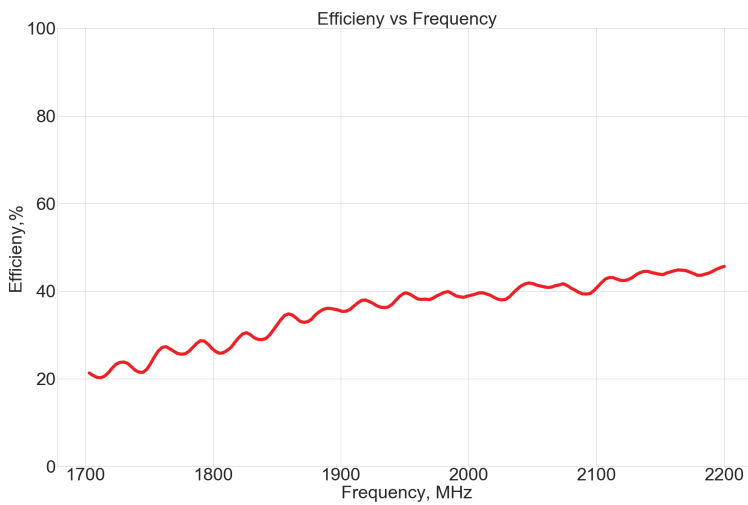
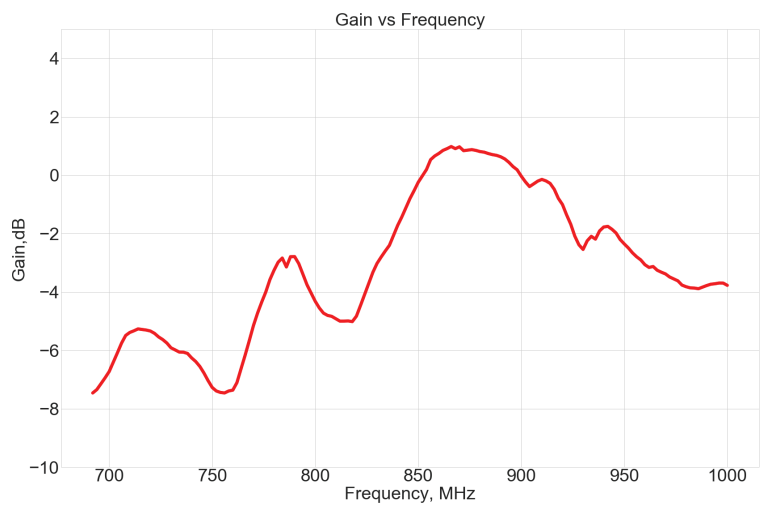
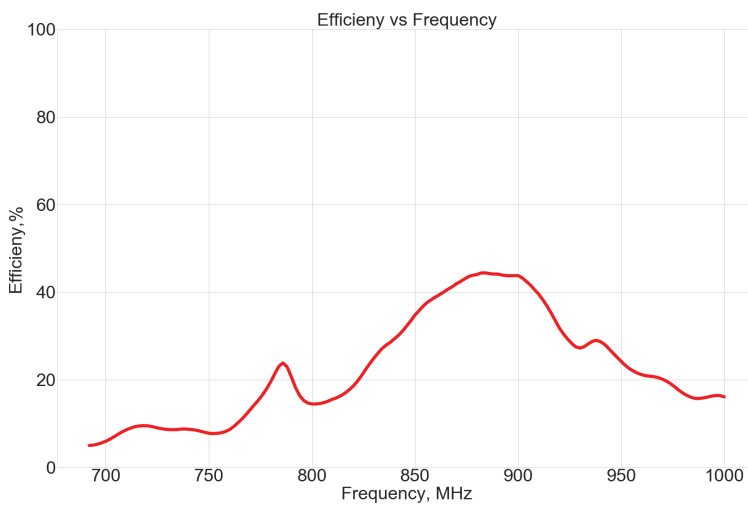
## Applications

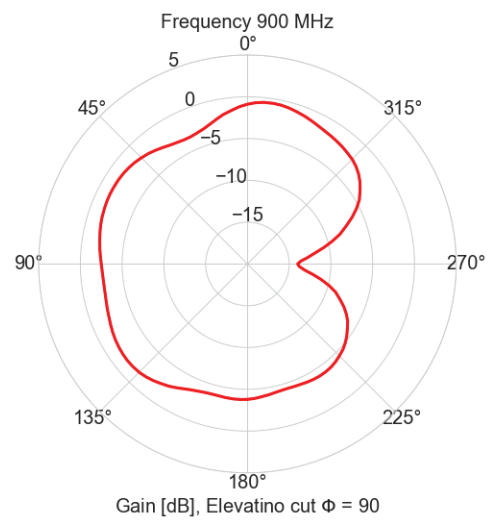
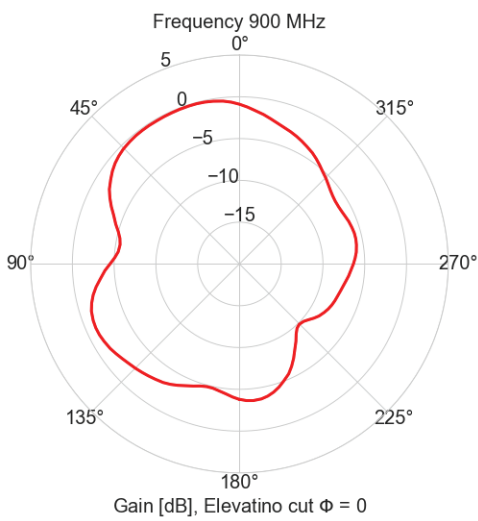
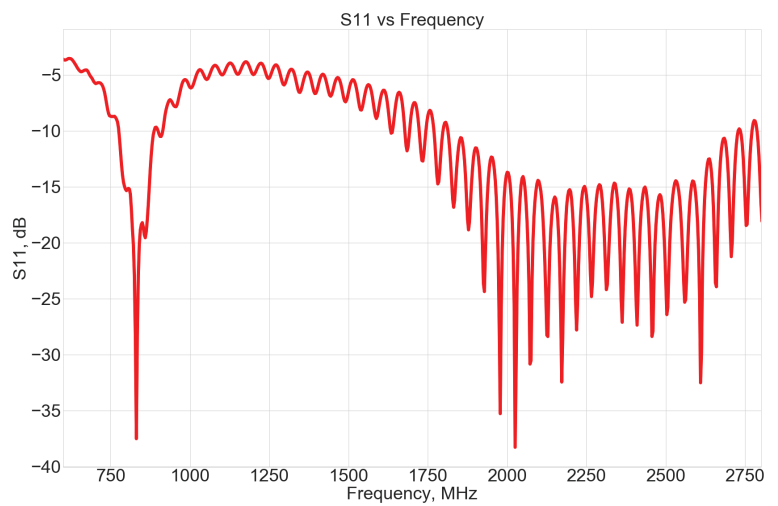
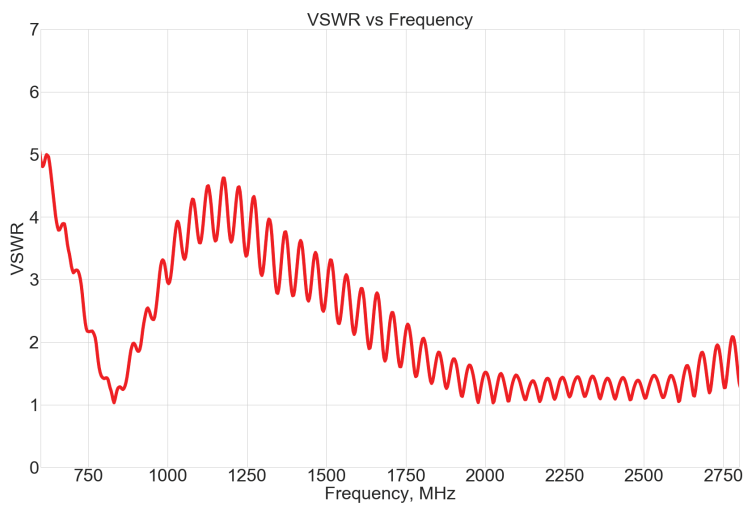
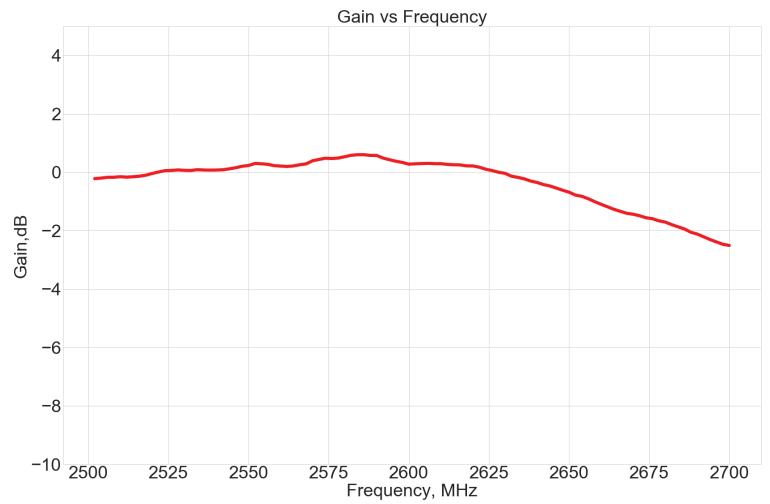
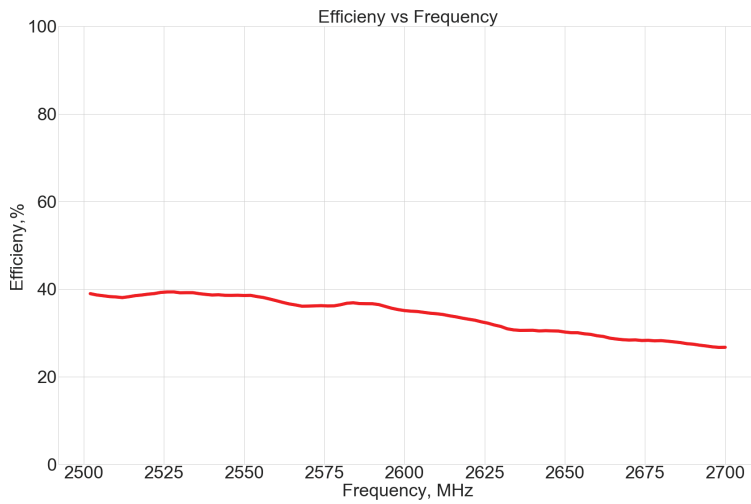
- Cellular, LTE, and WiMax Applications
- Modems, Routers, and Gateways
- Security
- Asset Tracking
- IoT

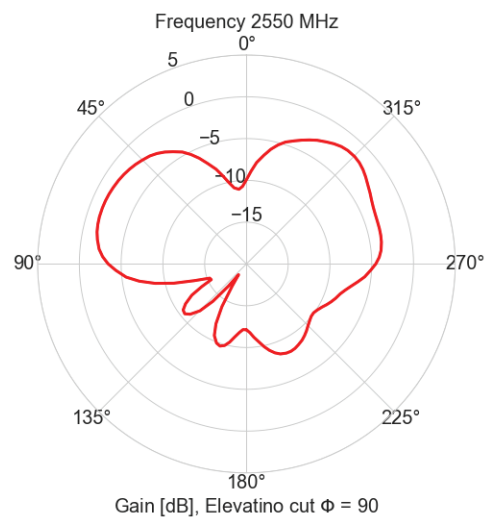
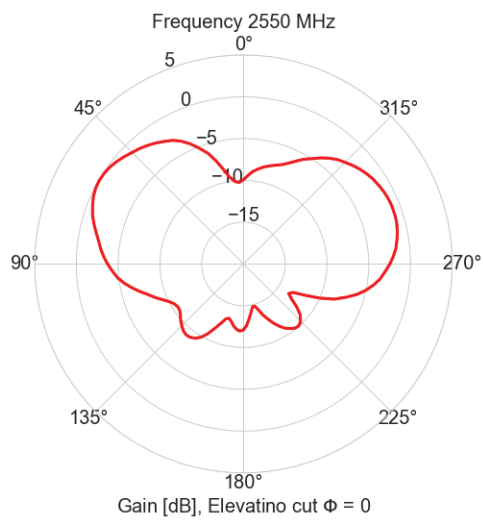
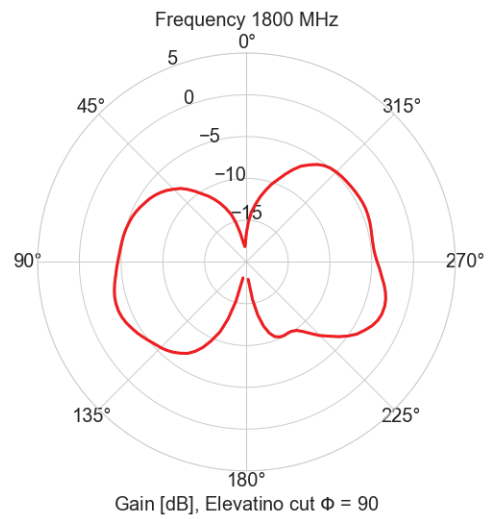
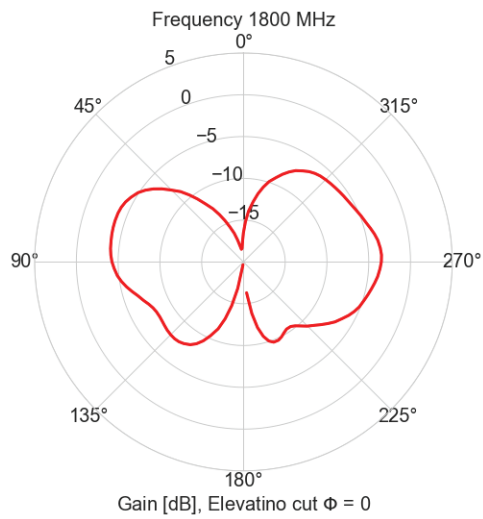
## Mechanical Specification

Parameter	Specification
Antenna Dimensions	Ø 54 × 80
Operating Temperature	-40°C to 85°C
Connector Type	SMA-Male Standard
Mounting Type	Magnetic Mount
Random	ASA
Radome color	Black
Antenna Base	Zamak
Gasket	TPE
Substance Compliance	RoHS
Certificates	IK09, IP67, IP69K

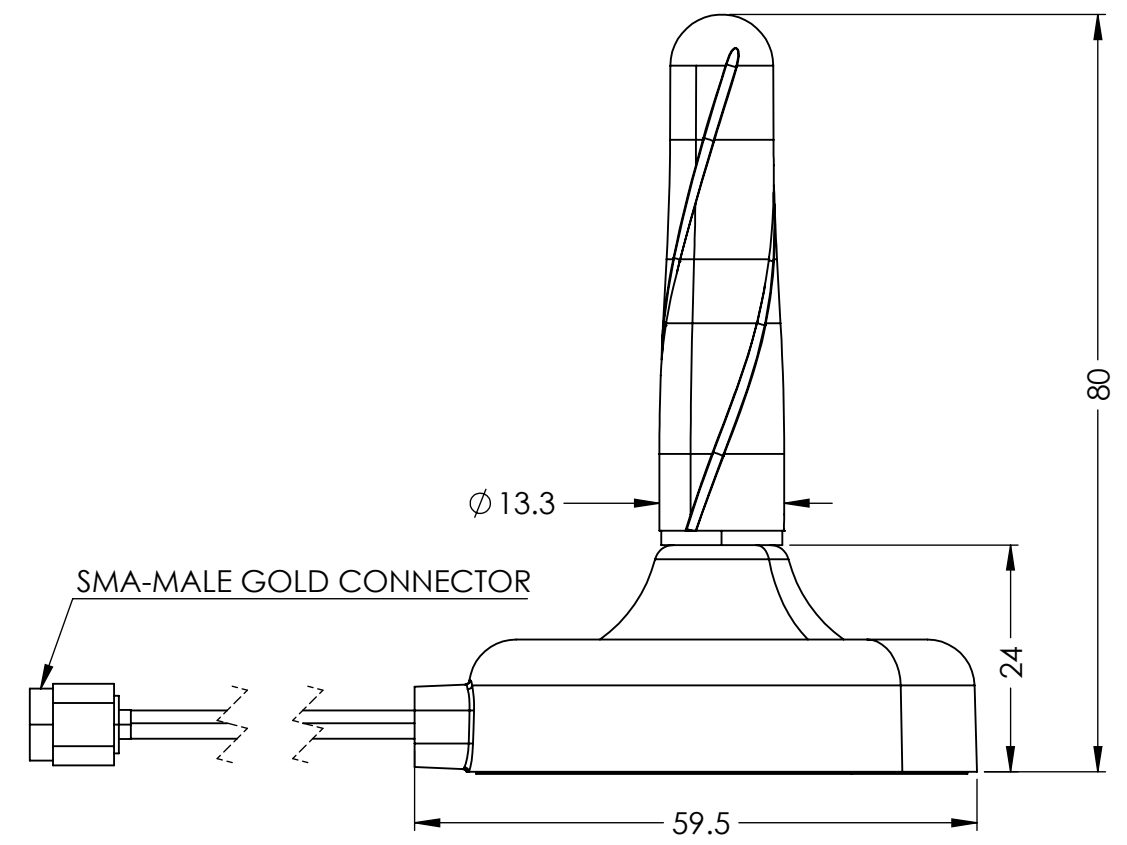
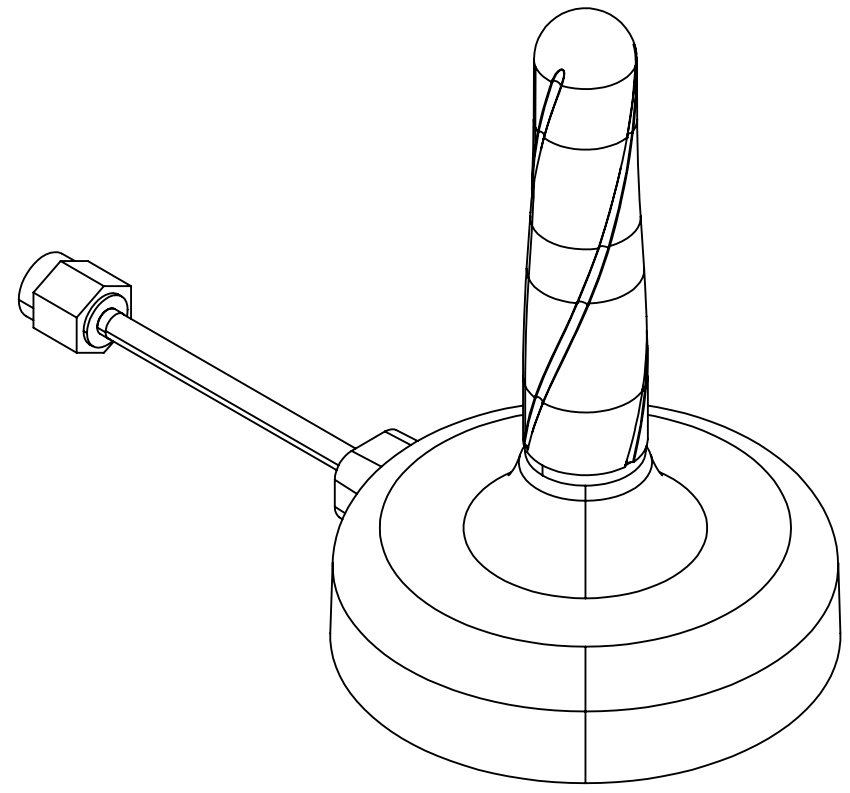
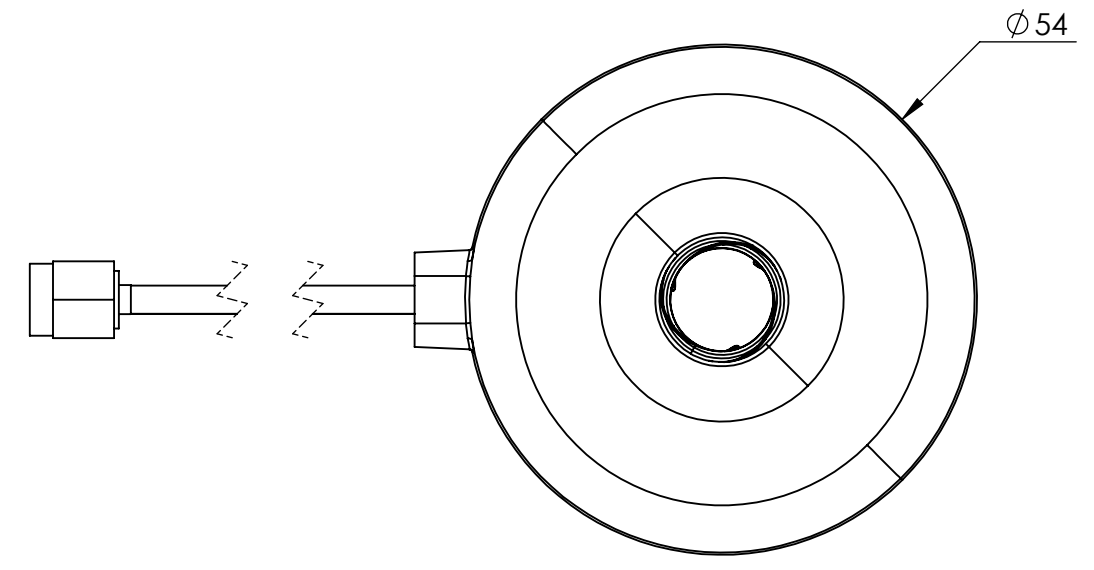
\*Mounted on Ground Plane of 30 x 30 cm







DRAWING REVISION HISTORY			
REV	DESCRIPTION	DATE	BY
A	INITIAL RELEASE	2021-07-15	SZ



NOTES:

- FREQUENCY: 698-960 MHz, 1710-2170 MHz, 2500-2700 MHz
- CUSTOMIZABLE CABLE AND CONNECTOR TYPE
- MOUNTING TYPE: MAGNETIC MOUNT
- MATERIALS:
  - RADOME: ASA
  - RADOME COLOR: BLACK
  - ANTENNA BASE: ZAMAK
  - GASKET: TPE
- OPERATING TEMPERATURE: -40°C ~ +85°C
- STORAGE TEMPERATURE: -40°C ~ +85°C
- CERTIFICATIONS: IP67, IP69K

UNLESS OTHERWISE SPECIFIED:	NAME	DATE
DIMENSIONS ARE IN MM	DRAWN	SZ 2021-07-15
TOLERANCES:	CHECKED	ZX 2021-07-15
FRACTIONAL ±	ENG APPR.	NPC 2021-07-15
ONE PLACE DECIMAL ± 1.0	MFG APPR.	
TWO PLACE DECIMAL ± .50	Q.A.	
INTERPRET GEOMETRIC TOLERANCING PER:	CAD MAINTAINED. CHANGES SHALL BE INCORPORATED BY THE DESIGN ACTIVITY.	
	DO NOT SCALE DRAWING	

MAXTENA, INC		
TITLE:		
100-00185		
MEA-LTE3MM-SMA		
SIZE	DWG. NO.	REV
<b>B</b>	<b>117-00477-01</b>	<b>A</b>
CAGE CODE: 5KQH7	SCALE: NONE	SHEET 1 OF 1

ITEM 100-00185 REVISION HISTORY			
REV	DESCRIPTION	DATE	BY
1	INITIAL RELEASE	2021-07-15	SZ

100-00185 CONFIGURATION TABLE			
DASH NO	CABLE TYPE	CABLE LENGTH	CONNECTOR TYPE
-01	D302	365 cm	SMA-MALE GOLD

PROPRIETARY AND CONFIDENTIAL

THE INFORMATION CONTAINED IN THIS DRAWING IS THE SOLE PROPERTY OF MAXTENA, INC. ANY REPRODUCTION IN PART OR AS A WHOLE WITHOUT THE WRITTEN PERMISSION OF MAXTENA, INC IS PROHIBITED.