



# MEAX-868-ISM

868 MHz ISM Screw Mount  
Part #: 100-00198-01

## Description

The MEA-868-ISM is a high gain & efficiency antenna to be used for 868MHz wireless applications. This external mount rugged antenna is ideal for high-performance outdoor or indoor applications. It is designed for IoT, Telematics and remote metering mesh installations and systems. The high efficiency and gain along with the Omni-directional properties provide this antenna a consistent and stable long-range connectivity with high throughput data to devices for 868MHz needs.

The antenna housing consists of black UV-resistant rugged plastics and a heavy-duty metal base for optimal installations. The cable & connector are customizable.

## Electrical Specification

Parameter	Specification
Frequency Range	863-870 MHz
Band	868 MHz
Return Loss	-30 dB
VSWR	1.1:1
Efficiency	71%
Peak Gain	2.5 dBi
Average Gain	-1.4 dB
Impedance	50 Ω
Polarization	Linear
Radiation Pattern	Omni-Directional

## Mechanical Specification

Parameter	Specification
Antenna Dimensions	80 x 76 x 13 mm
Operating Temperature	-40°C to + 85°C
Mounting Type	Screw Mount
Connector	SMA-Male Standard (Other Connectors Available)
Cable Type	D302 Standard
Radome Type	ABS UV Stable
Radome Color	Black or White
Substance Compliance	RoHS
Certificates	IP67, IP69

\*Mounted on 30 x 30 x 0.25 cm ABS Plate

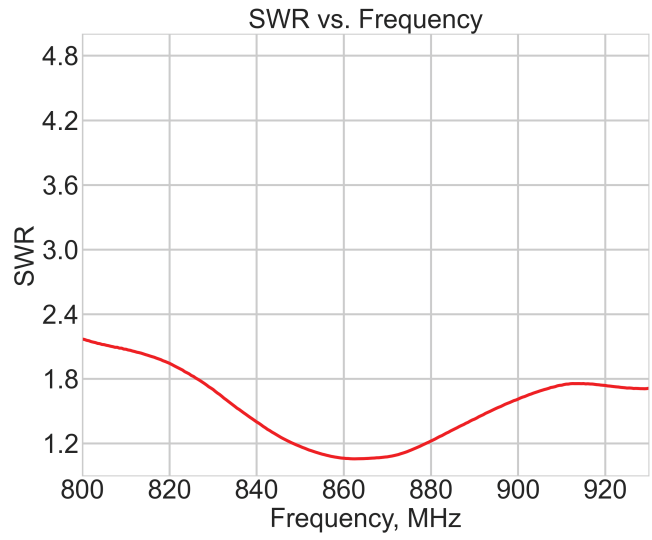
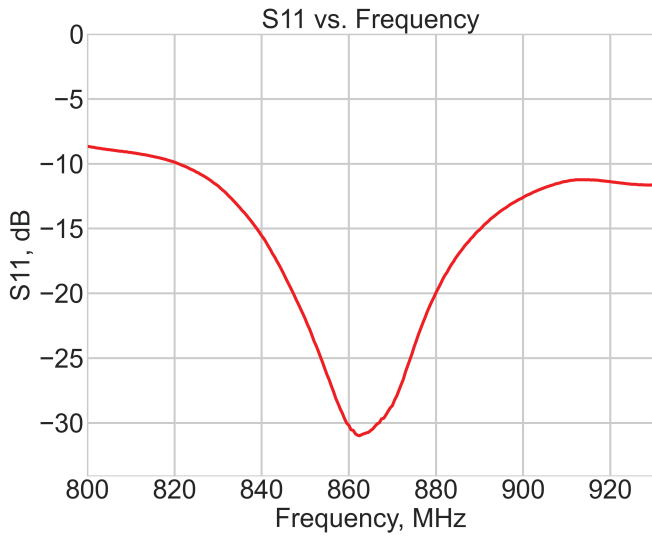


## Features

- 868 MHz ISM LoRa band antenna
- Screw Mount
- Anti-Rotation Mechanism
- Ground Plane Independent
- Customizable Cable and Connector
- Low Profile
- IP67, IP69K

## Applications

- Remote mesh networks
- Smart meters
- IoT
- Public Safety

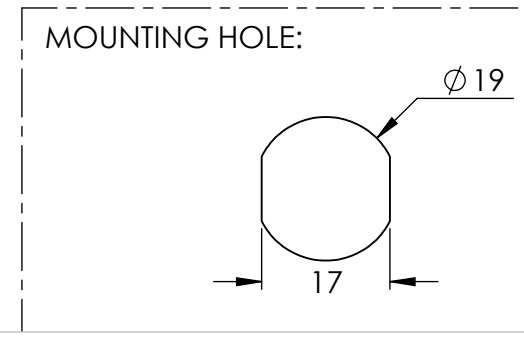
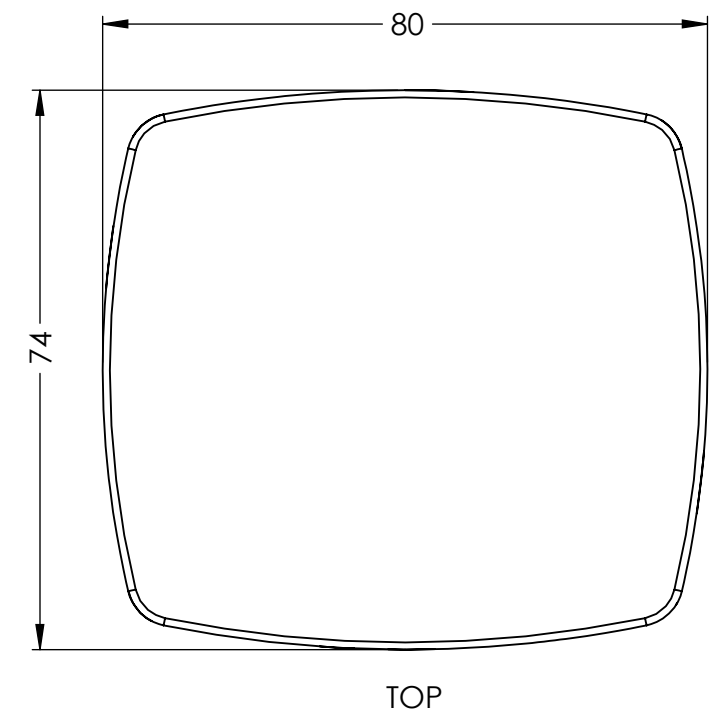
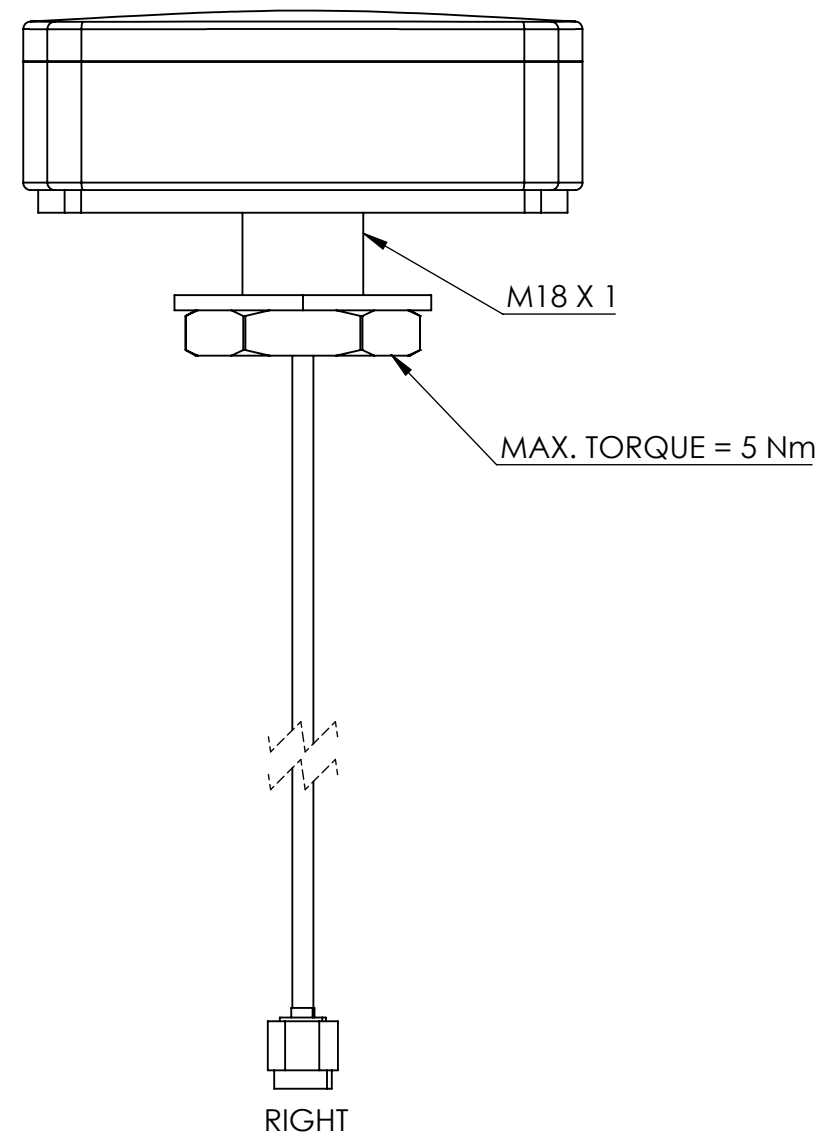
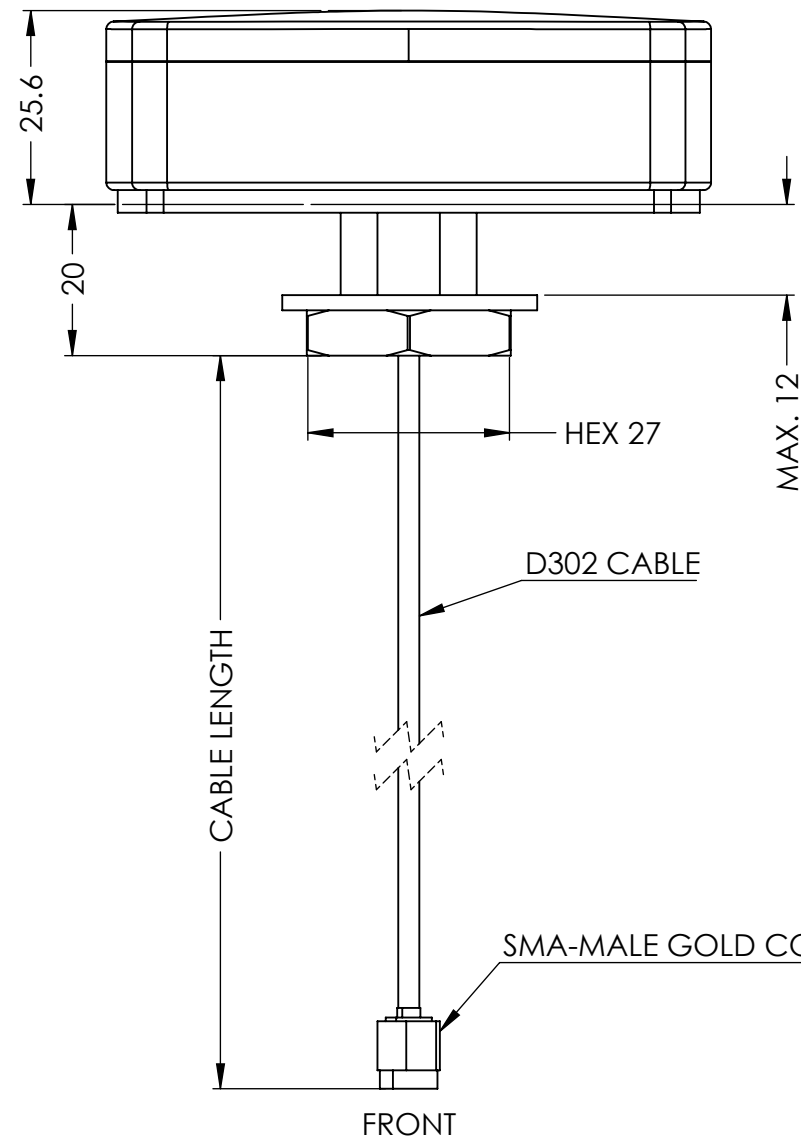


Maxtena Inc.  
 7361 Calhoun Place, Suite 102  
 Rockville, MD 20855  
 1-877-629-8362  
 info@maxtena.com  
[www.maxtena.com](http://www.maxtena.com)

NOTES:

1. FREQUENCY: (SIGFOX, LORA, ZIGBEE, ISM, RFID) 863-870 MHz
2. DIMENSIONS ARE AFTER MOUNTING
3. CUSTOMIZABLE CABLE AND CONNECTOR TYPE
4. MOUNTING TYPE: SCREW MOUNT
5. MAX MOUNTING THICKNESS: 12 mm
6. MATERIALS:
  - RADOME: ABS UV STABLE
  - RADOME COLOR: BLACK or WHITE
7. OPERATING TEMPERATURE: -40°C ~ +85°C
8. STORAGE TEMPERATURE: -40°C ~ +85°C
9. CERTIFICATES: IP67, IP69

DRAWING REVISION HISTORY			
REV	DESCRIPTION	DATE	BY
A	INITIAL RELEASE	2021-08-30	JET



100-00198 CONFIGURATION TABLE				
DASH NO	CABLE TYPE	CABLE LENGTH	CONNECTOR TYPE	RADOME COLOR
-01	D302	2 m	SMA-MALE GOLD	BLACK

ITEM 100-00198 REVISION HISTORY			
REV	DESCRIPTION	DATE	BY
A	INITIAL RELEASE	2021-08-30	JET

UNLESS OTHERWISE SPECIFIED:

DIMENSIONS ARE IN MM  
 TOLERANCES:  
 FRACTIONAL: ±  
 ANGULAR: MACH ± .5° BEND ±  
 ONE PLACE DECIMAL ± 1.0  
 TWO PLACE DECIMAL ± .50

INTERPRET GEOMETRIC TOLERANCING PER:

THIRD ANGLE PROJECTION  
DO NOT SCALE DRAWING

	NAME	DATE
DRAWN	JET	2021-08-30
CHECKED	ZX	2021-08-30
ENG APPR.	NPC	2021-08-30
MFG APPR.		
Q.A.		

CAD MAINTAINED. CHANGES SHALL BE INCORPORATED BY THE DESIGN ACTIVITY.

MAXTENA, INC

TITLE: 100-00198 MEA-868-ISM

SIZE B DWG. NO. 117-00499-01 REV A

CAGE CODE: 5KQH7 SCALE: NONE SHEET 1 OF 1