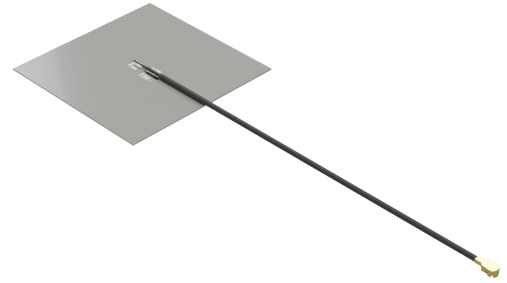




# MEA-1176-AM

GNSS/L1/L2/L5/L6 Adhesive Mount antenna

Part #: 100-00199-01



## Description

The MEA-1176-AM GNSS L1/L2/L5/L6 flexible polymer antenna is ideal for applications using high precision GNSS L1, L2, L5 and L6 bands. The MEA-1176-AM is a passive antenna customized for a broad range of applications which demand high precision GNSS. This antenna is designed for embedded applications which feature GNSS such as military, tracking devices and IOT solutions. The GNSS L1/L2/L5/L6 antenna has a flexible design enables the high precision within the antenna, and it is self-adhesive. The cable and connector are customizable.

## Electrical Specification

Parameter	Specification	
Frequency	1176.45, 1207.14 MHz	1227.6, 1246 MHz
Bands	L5	L2
Bandwidth	1176-1208 MHz	1227-1246 MHz
Return Loss	12.8 dB	-16.6 dB
VSWR	1.6:1	1.4:1
Efficiency	75%	76.2%
Passive Peak Gain	3.2 dBi	3.1 dBi
Average Gain	-1.3 dB	-1.2 dB
Frequency Range	1268.52, 1278.75 MHz	1561.09, 1575.42, 1602 MHz
Bands	L6	L1
Bandwidth	1268-1279 MHz	1561-1606 MHz
Return Loss	-9.3 dB	-21.8 dB
VSWR	2.1:1	1.2:1
Efficiency	74.2%	79.9%
Passive Peak Gain	2.9 dBi	4.9 dBi
Average Gain	-1.3 dB	-1.0 dB
Impedance	50 Ω	
Radiation Pattern	Hemispherical	
Polarization	Omni-Directional	
Max. Input Power	25 W	

## Features

- GNSS – L1/L2/L5/L6
- 1176MHz – 1606MHz
- Low profile: 45.4 × 45.4 × 0.2 mm
- Easy mounting: Self-Adhesive
- Multi-Band-Constellation
- Flexible Material
- High Performance
- Customizable Cable and Connector

## Applications

- Robotics
- Drones
- RTK Positioning
- Transportation
- Agriculture
- Automotive



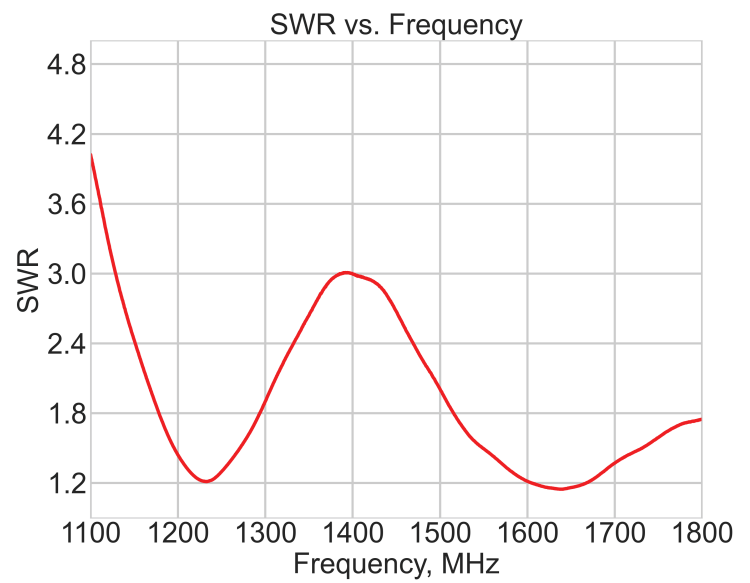
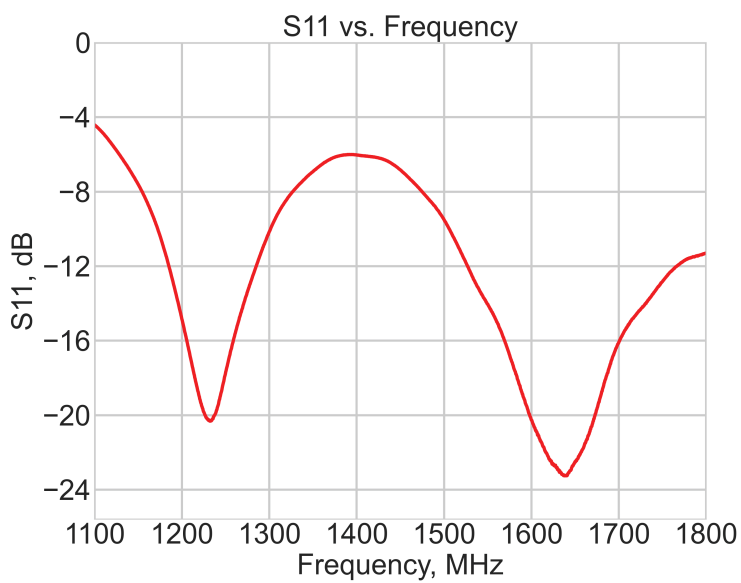
Maxtena Inc.  
7361 Calhoun Place, Suite 102  
Rockville, MD 20855  
1-877-629-8362  
info@maxtena.com

[www.maxtena.com](http://www.maxtena.com)

## Mechanical Specification

Parameter	Specification
Antenna Dimensions	45.4 × 45.4 × 0.2 mm
Mounting Type	Adhesive Mount
Operating Temperature	-40°C to 85°C
Connector	U.FL Standard (Other Connectors Available)
Cable Type	1.37mm Mini-Coax Standard
Material	Flexible Polymer
Adhesive Type	3M 467

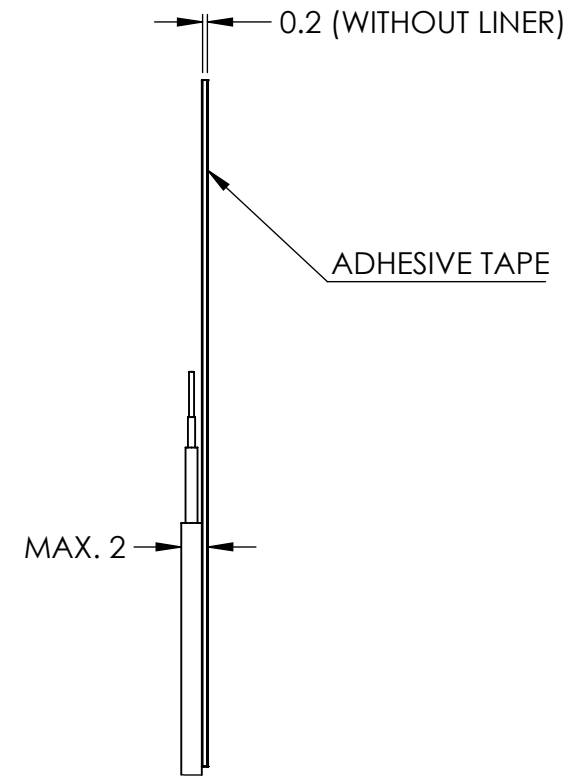
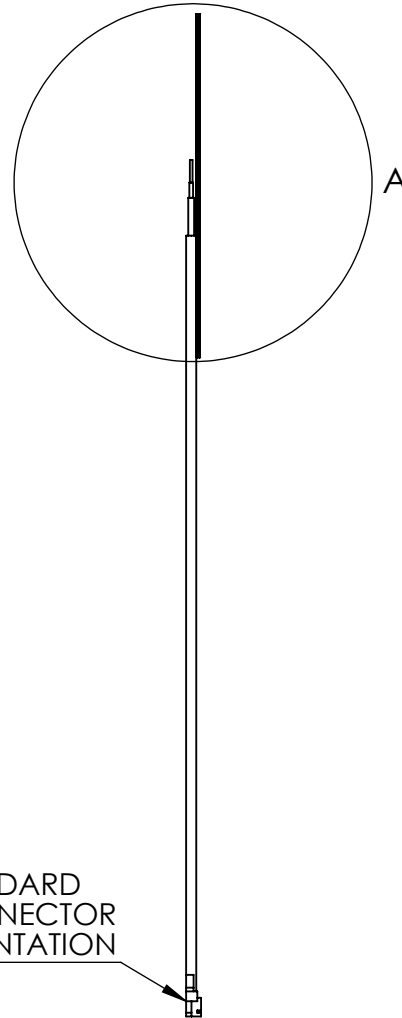
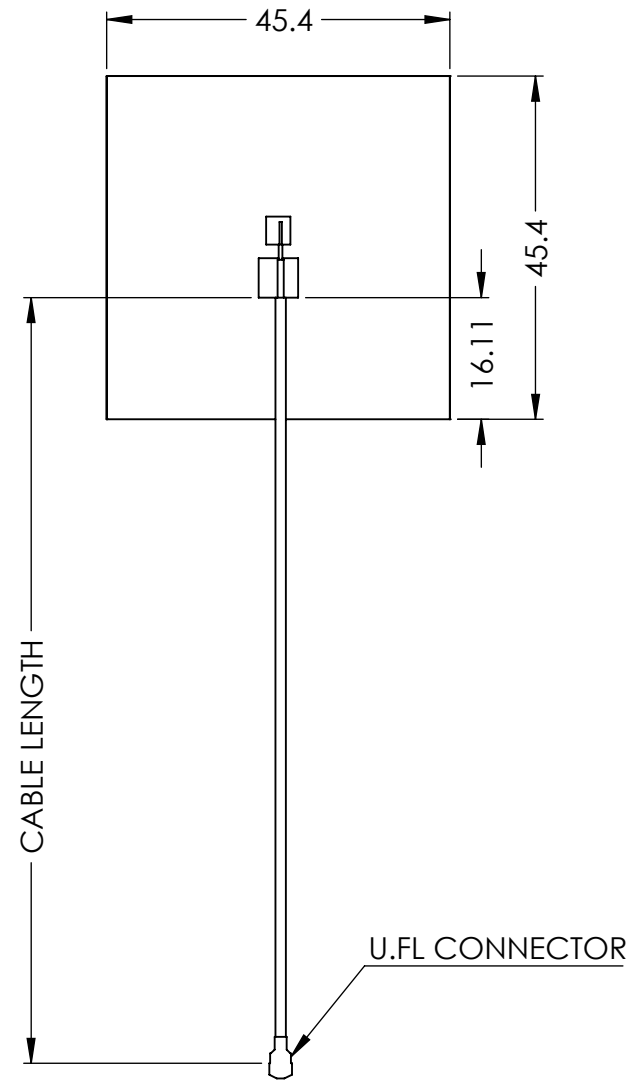
\*Mounted on 30 x 30 x 0.25 cm ABS Plastic Plate



NOTES:

1. FREQUENCY: (GPS, GLONASS, BEIDOU, QZSS, GALILEO, IRNSS, SBAS, L1L2L5L6) 1176-1208 MHz, 1227-1246 MHz, 1268-1279 MHz AND 1561-1606 MHz
2. DIMENSIONS ARE AFTER MOUNTING
3. CUSTOMIZABLE CABLE AND CONNECTOR TYPE
4. MOUNTING TYPE: ADHESIVE MOUNT
5. MATERIALS:
  - FLEXIBLE POLYMER
  - ADHESIVE TYPE: 3M 467
6. OPERATING TEMPERATURE: -40°C ~ +85°C
7. STORAGE TEMPERATURE: -40°C ~ +85°C

DRAWING REVISION HISTORY			
REV	DESCRIPTION	DATE	BY
A	INITIAL RELEASE	2021-08-30	JET



DETAIL A  
SCALE 2 : 1

ITEM 100-00199 REVISION HISTORY			
REV	DESCRIPTION	DATE	BY
A	INITIAL RELEASE	2021-08-30	JET

100-00199 CONFIGURATION TABLE			
DASH NO	CABLE TYPE	CABLE LENGTH	CONNECTOR TYPE
-01	1.37 mm MICRO-COAX	100 mm	U.FL STANDARD

UNLESS OTHERWISE SPECIFIED:	NAME	DATE
DIMENSIONS ARE IN MM	DRAWN	JET 2021-08-30
TOLERANCES:	CHECKED	ZX 2021-08-30
FRACTIONAL: ±	ENG APPR.	NPC 2021-08-30
ANGULAR: MACH ± .5° BEND ±	MFG APPR.	
ONE PLACE DECIMAL ± 1.0	Q.A.	
TWO PLACE DECIMAL ± .50		
INTERPRET GEOMETRIC TOLERANCING PER:	CAD MAINTAINED. CHANGES SHALL BE INCORPORATED BY THE DESIGN ACTIVITY.	
	DO NOT SCALE DRAWING	

MAXTENA, INC		
TITLE: 100-00199 MEA-1176-AM		
SIZE B	DWG. NO. 117-00500-01	REV A
CAGE CODE: 5KQH7	SCALE: NONE	SHEET 1 OF 1