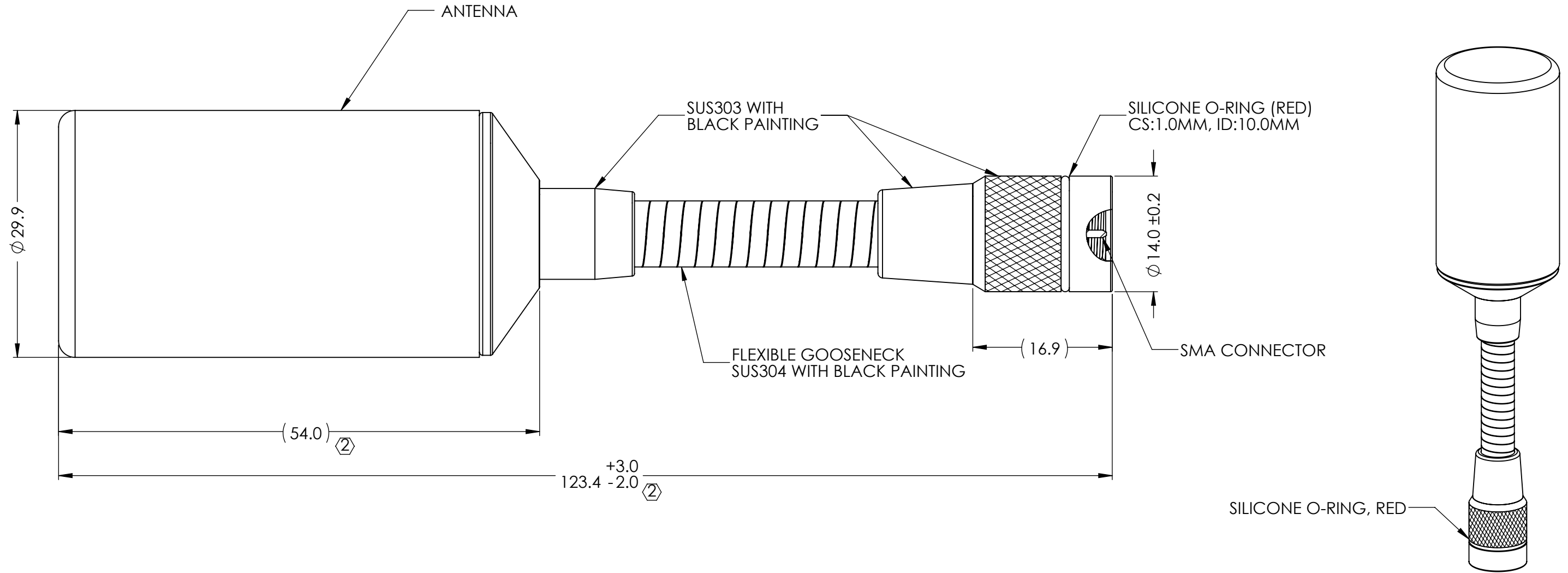


NOTES:

1. CONNECTOR: SMA MALE.
2. MATERIAL:
 - ANTENNA HOUSING: PC/ABS BLACK PLASTIC;
 - CABLE: STAINLESS STEEL WITH BLACK COATING;
 - INDICATOR O-RING: RED SILICONE.
3. OPERATIONAL TEMPERATURE: -30°C~+85°C.
4. STORAGE TEMPERATURE: -40°C~+85°C.
5. WATERPROOF GRADE: IP67.

DRAWING REVISION HISTORY			
REV	DESCRIPTION	DATE	BY
1	INITIAL RELEASE	2019-06-05	ZX
2	UPDATE TO THREADED VERSION	2021-10-11	ZX



UNLESS OTHERWISE SPECIFIED:	NAME	DATE
DIMENSIONS ARE IN MM	DRAWN ZX	2021-10-11
TOLERANCES:	CHECKED	
FRACTIONAL ±	ENG APPR. NPC	2021-10-11
ANGULAR: MACH ± .5° BEND ±	MFG APPR.	
ONE PLACE DECIMAL ± .5	Q.A.	
TWO PLACE DECIMAL ± .20		
INTERPRET GEOMETRIC TOLERANCING PER:	CAD MAINTAINED. CHANGES SHALL BE INCORPORATED BY THE DESIGN ACTIVITY.	
	DO NOT SCALE DRAWING	

MAXTENA, INC		
TITLE: 100-00105-01 ASSEMBLY, TOP, M1227HCT-SMA-GN		
SIZE B	DWG. NO. 117-00285-01	REV 2
CAGE CODE: 5KQH7	SCALE: NONE	SHEET 1 OF 1