



MEA-LTE-MIMO-ISM-SM

Cellular/LTE MIMO and 915 MHz ISM Screw Mount

Part #: 100-00203-01

Description

The MEA-LTE-MIMO-ISM-SM Screw Mount Antenna is a 3-in-1 low profile antenna solution, with a very high-performance ideal for maintaining constant network connectivity. The MEA-LTE-MIMO-ISM-SM covers all Cellular/LTE MIMO, and ISM standard frequencies. This is an ideal antenna for telematics systems, remote surveillance, asset tracking and any IOT system applications. The high performance and low profile make this antenna ideal for the most challenging installations.

This screw mount antenna is easy to install with maximum durability offering IP67 rated housing and anti-rotation mounting. The MEA-LTE-MIMO-ISM-SM has a three cables with a SMA-Male standard connectors, 2m standard cable length and is fully customizable by offering additional connector types, cable lengths and cable types.



Electrical Specification

Parameter		Specification		
Cable 1 - CELLULAR / LTE Antenna	Frequency	698-960 MHz	1710-2170 MHz	2500-2700 MHz
	Band	700/850/900 MHz	1700/1800/1900/2100 MHz	2600 MHz
	Return Loss	-6.5 dB	-11.1 dB	-14.4 dB
	VSWR	2.8:1	1.9:1	1.6:1
	Efficiency	30.7%	41.2%	56.1%
	Peak Gain	-1.5 dBi	3.2 dBi	6.5 dBi
	Average Gain	-5.3 dB	-3.9 dB	-2.5 dB
	Impedance	50 Ω		
	Polarization	Linear		
	Radiation Pattern	Omni-Directional		
Max. Input Power	25 W			
Cable 2 - CELLULAR / LTE Antenna	Frequency	698-960 MHz	1710-2170 MHz	2500-2700 MHz
	Band	700/850/900 MHz	1700/1800/1900/2100 MHz	2600 MHz
	Return Loss	-6.6 dB	-11.4 dB	-12.5 dB
	VSWR	2.8:1	1.8:1	1.7:1
	Efficiency	31.5%	40.0%	55.4%
	Peak Gain	-0.9 dBi	3.0 dBi	5.0 dBi
	Average Gain	-5.0 dB	-4.0 dB	-2.7 dB
	Impedance	50 Ω		
	Polarization	Linear		
	Radiation Pattern	Omni-Directional		
Max. Input Power	25 W			

Features

- Cellular/LTE (698-960, 1710-2170 and 2500-2700 MHz) & 915 MHz ISM (902-928 Mhz) frequency coverage
- High Performance
- Easy mounting: Screw Mount
- Ground Plane Independent
- Low profile: 96 x 96 x 90 mm
- Customized Cable and Connector
- IP67, IP69K, IK09

Applications

- IoT applications
- Telematic
- Navigation
- Satellite Communications
- LTE applications



Maxtena Inc.
 7361 Calhoun Place, Suite 102
 Rockville, MD 20855
 1-877-629-8362
 info@maxtena.com

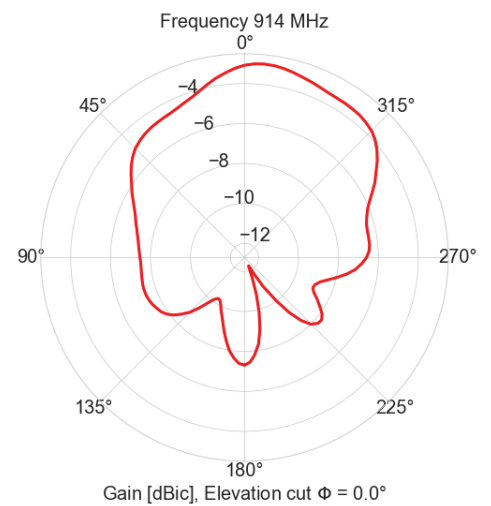
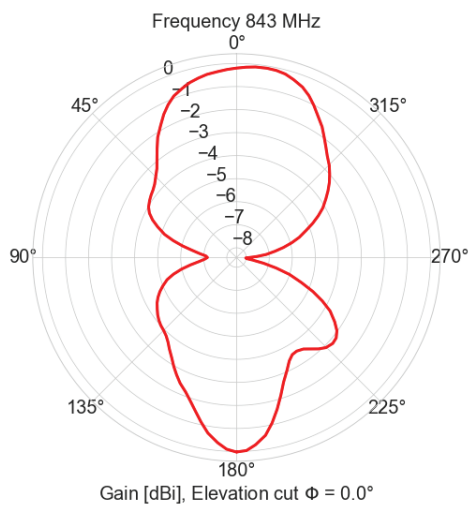
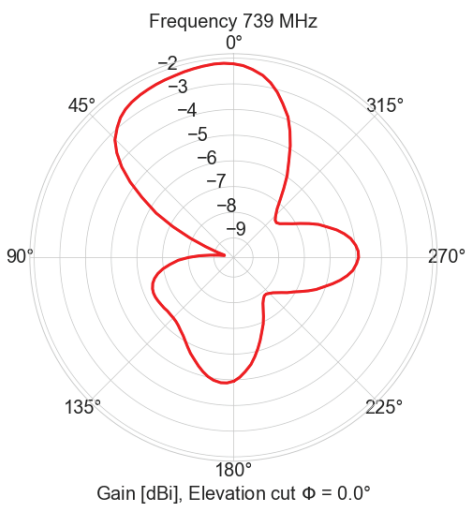
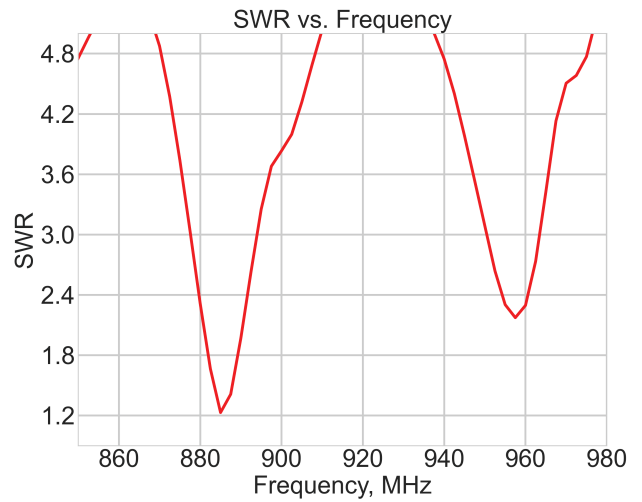
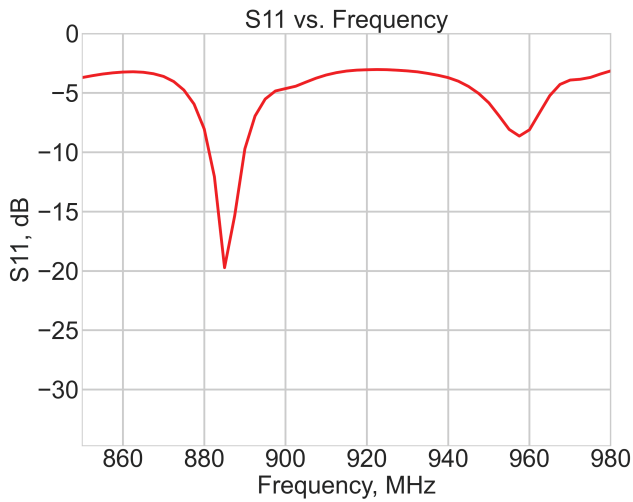
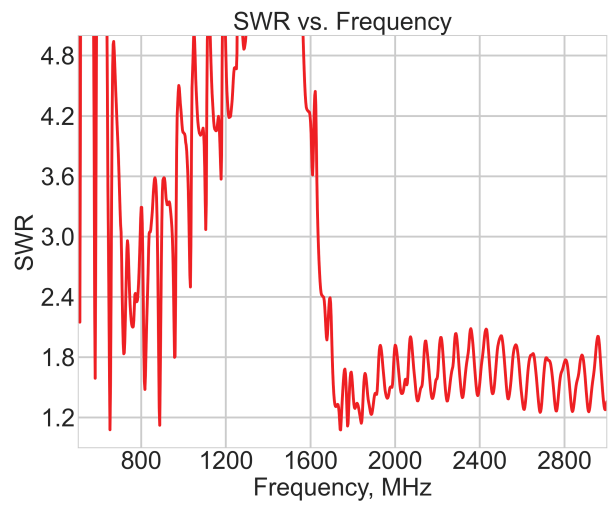
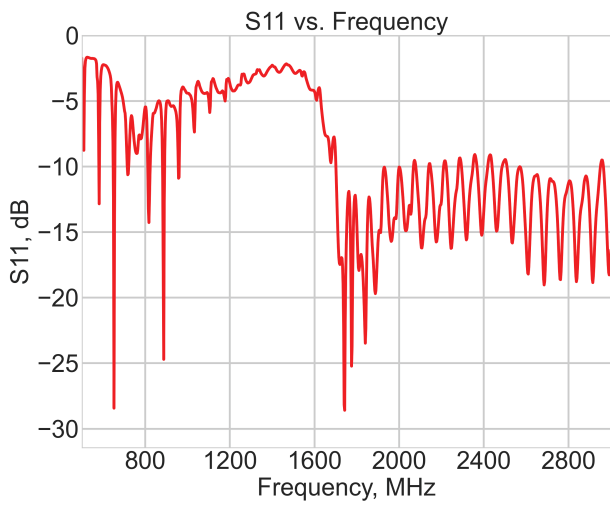
www.maxtena.com

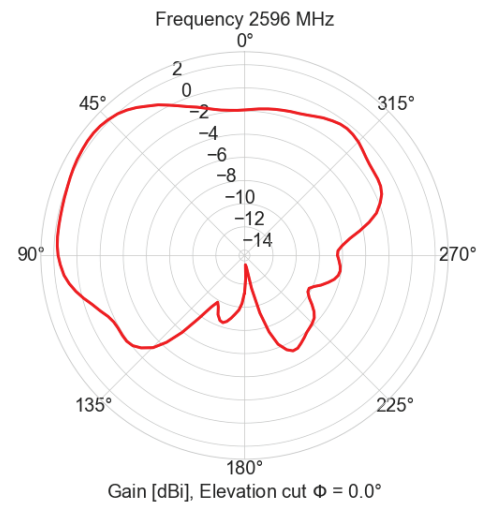
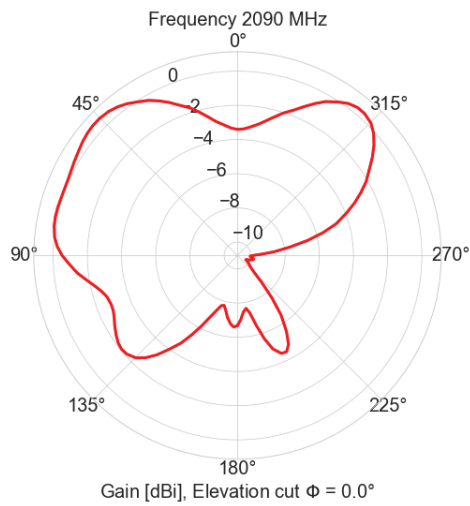
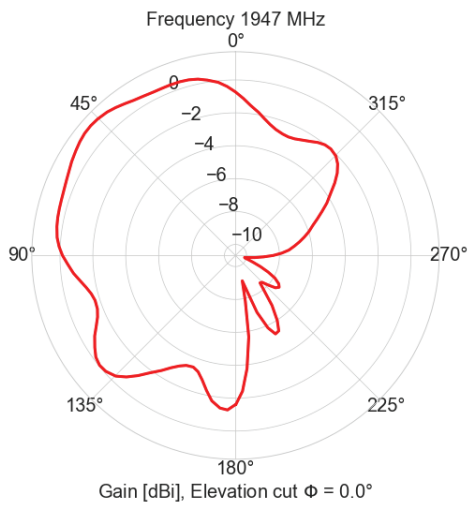
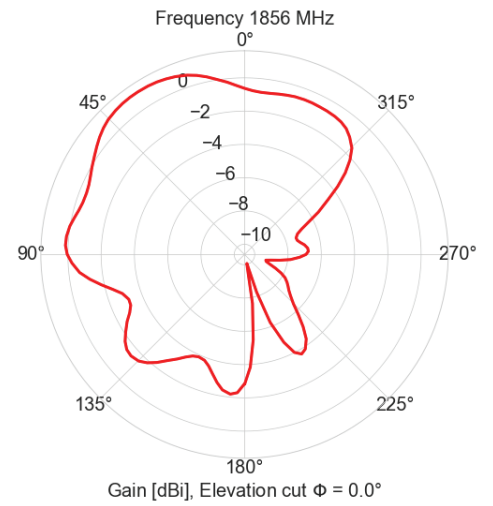
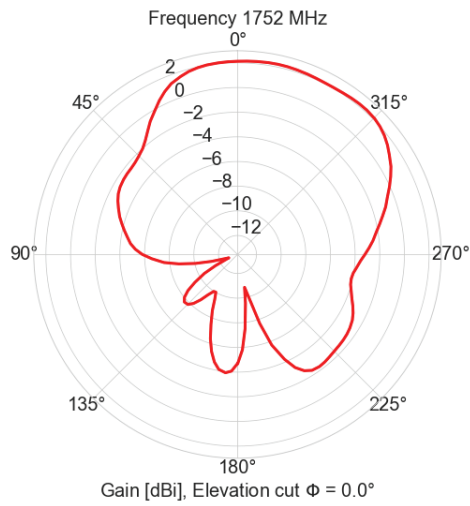
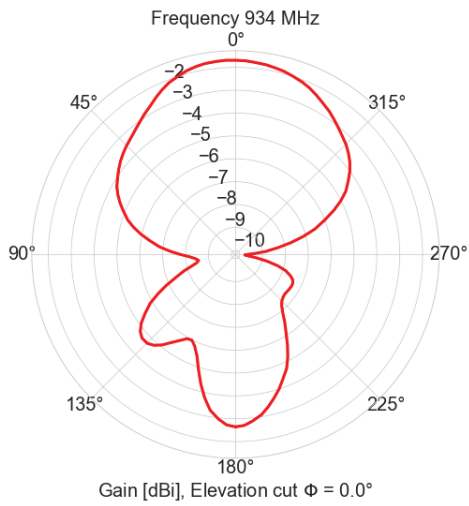
Parameter		Specification
Cable 3 - 915 MHz ISM Antenna	Frequency Range	902-928 MHz
	Band	915 MHz
	Return Loss	-5.7 dB
	VSWR	3.1:1
	Efficiency	30.9%
	Peak Gain	0.2 dBi
	Average Gain	-5.1 dB
	Impedance	50 Ω
	Polarization	Linear
	Radiation Pattern	Omni-Directional
	Max Input Power	25 W

Mechanical Specification

Parameter	Specification
Antenna Dimensions	Ø 96 x 90 mm
Operating Temperature	-40°C to + 85°C
Mounting Type	Screw Mount
Connector	SMA-Male
Cable	LL195/RG174 Standard
Radome	ASA UV Stable / White, Black
Substance Compliance	RoHS
Certificates	IP67, IP69, IK09

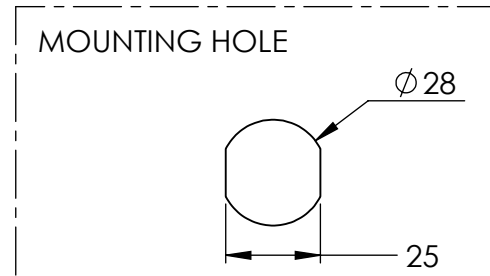
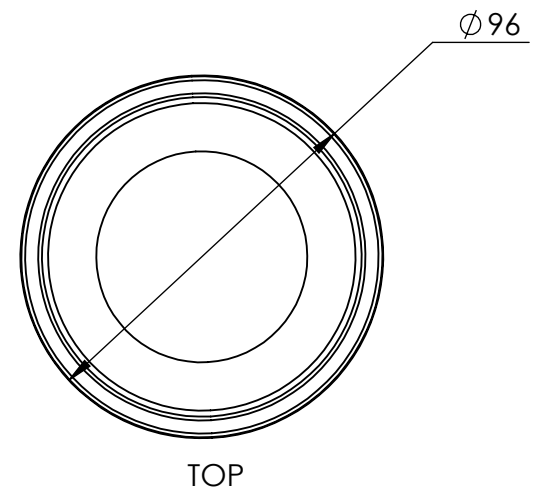
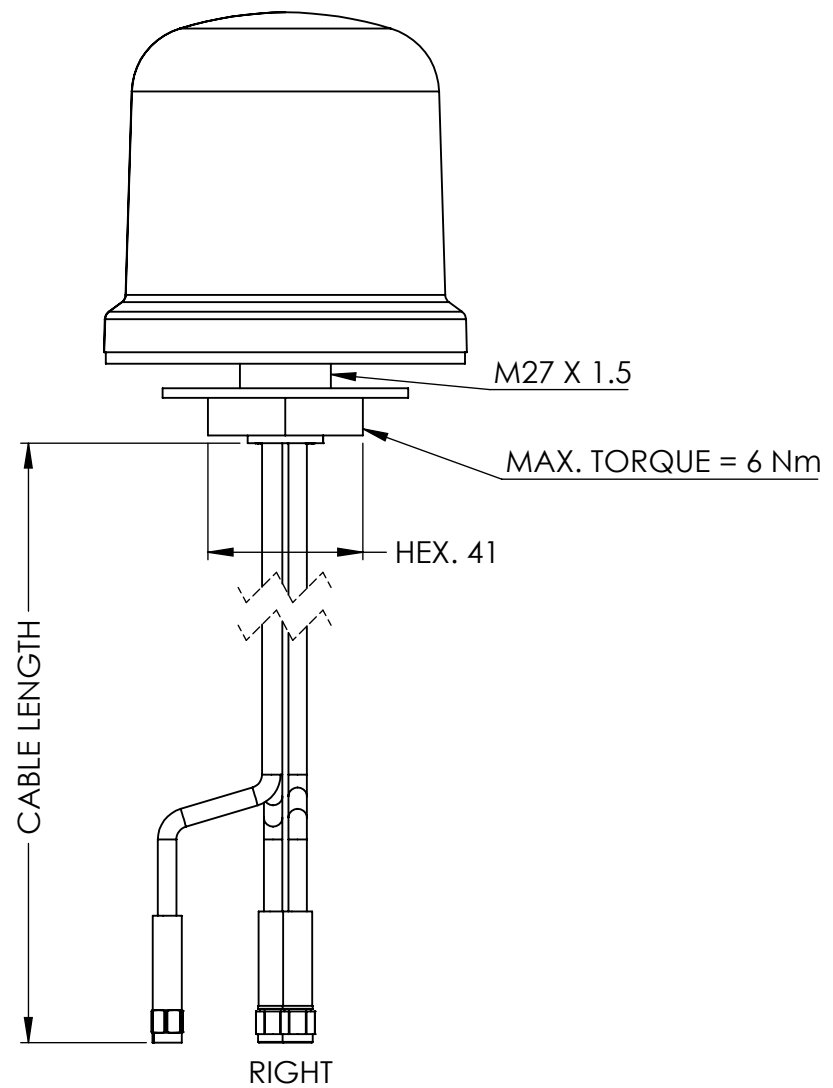
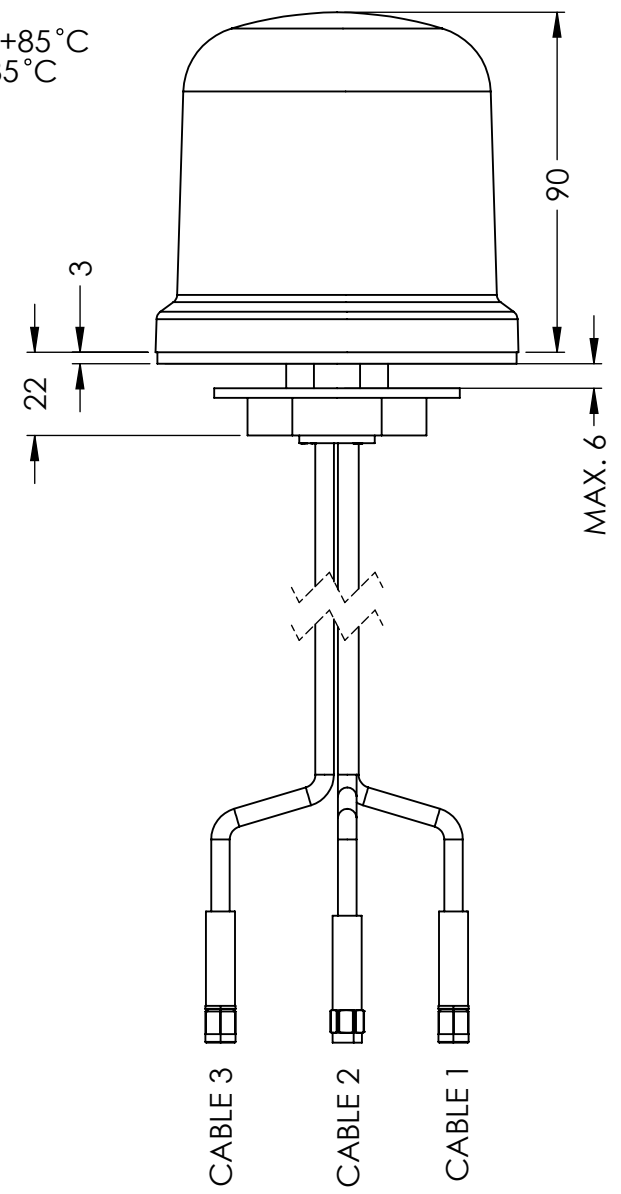
*Mounted on Metal Plate of 30 x 30 cm





- NOTES:
- FREQUENCY:
 CABLE 1 (CELLULAR/LTE): 698-960 MHz, 1710-2170 MHz, 2500-2700 MHz
 CABLE 2 (CELLULAR/LTE): 698-960 MHz, 1710-2170 MHz, 2500-2700 MHz
 CABLE 3 (915 MHz ISM): 902-928 MHz
 - DIMENSIONS ARE AFTER MOUNTING
 - CUSTOMIZABLE CABLE AND CONNECTOR TYPE
 - MOUNTING TYPE: SCREW MOUNT
 - MAX MOUNTING THICKNESS: 6 mm
 - MATERIALS:
 • RADOME: ASA UV STABLE
 • RADOME COLOR: BLACK or WHITE
 • ANTENNA BASE: ASU UV STABLE
 - OPERATING TEMPERATURE: -40°C ~ +85°C
 - STORAGE TEMPERATURE: -40°C ~ +85°C
 - CERTIFICATION: IP67, IP69, IK09

DRAWING REVISION HISTORY			
REV	DESCRIPTION	DATE	BY
A	INITIAL RELEASE	2021-10-01	JET



100-00203 CONFIGURATION TABLE				
DASH NO	CABLE TYPE	CABLE LENGTH	CONNECTOR TYPE	RADOME COLOR
-01	CABLE 1: LL195 CABLE 2: LL195 CABLE 3: RG174	300 CM 300 CM 300 CM	SMA-MALE SMA-MALE SMA-MALE	BLACK

ITEM 100-00203 REVISION HISTORY			
REV	DESCRIPTION	DATE	BY
A	INITIAL RELEASE	2021-10-01	JET

UNLESS OTHERWISE SPECIFIED:

DIMENSIONS ARE IN MM
 TOLERANCES:
 FRACTIONAL: ±
 ANGULAR: MACH ± .5° BEND ±
 ONE PLACE DECIMAL ± 1.0
 TWO PLACE DECIMAL ± .50

INTERPRET GEOMETRIC TOLERANCING PER:

THIRD ANGLE PROJECTION
DO NOT SCALE DRAWING

	NAME	DATE
DRAWN	JET	2021-10-01
CHECKED	ZX	2021-10-01
ENG APPR.	NPC	2021-10-01
MFG APPR.		
	Q.A.	

CAD MAINTAINED. CHANGES SHALL BE INCORPORATED BY THE DESIGN ACTIVITY.

MAXTENA, INC

TITLE:
 100-00203
 MEA-LTE-MIMO-ISM-SM

SIZE	DWG. NO.	REV
B	117-00522-01	A

CAGE CODE: 5KQH7 SCALE: NONE SHEET 1 OF 1