



# MEAX-2400-N

## Ultra Rugged Dipole Antenna

Part #: 100-00190-01

### Description

The MEA-2400-N is a high performance ultra-rugged antenna that covers a broad frequency range of 2.4-2.5 GHz- 4.8-6.0 GHz. This antenna is fully compatible with WIFI standards. The MEA-2400-N is a dipole antenna which is ideal for various installations for IOT, smart metering, digital signage and industrial monitoring. The antenna is supplied with a N-Type connector and is light weight. The UV resistant coated fiberglass housing makes this antenna suitable to be mounted in very challenging robust outdoor environments. The antenna is IP 65 rated.



### Electrical Specifications

Parameter	Specification	
Frequency Range	2.4 - 2.5 GHz	4.8 - 6.0GHz
Gain	6 dBi	6 dBi
VSWR	< 2.0	< 2.0
Beamwidth (vertical)	20° - 35°	15° - 30°
Impedance	50 Ω	
Radiation Pattern	Omni-Directional	
Max. Input Power	150 W	

### Mechanical Specification

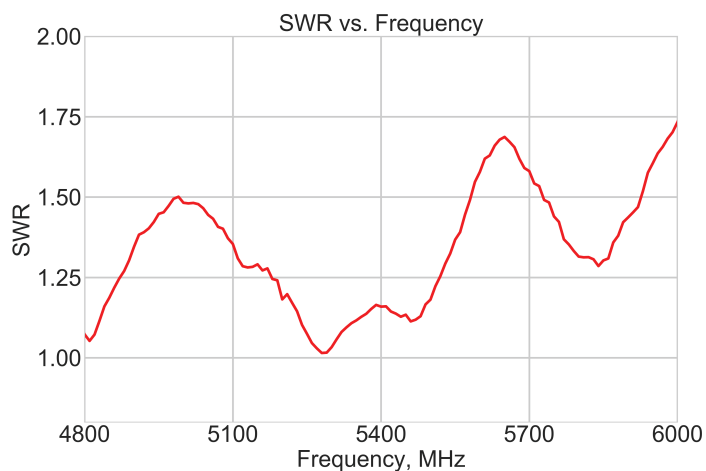
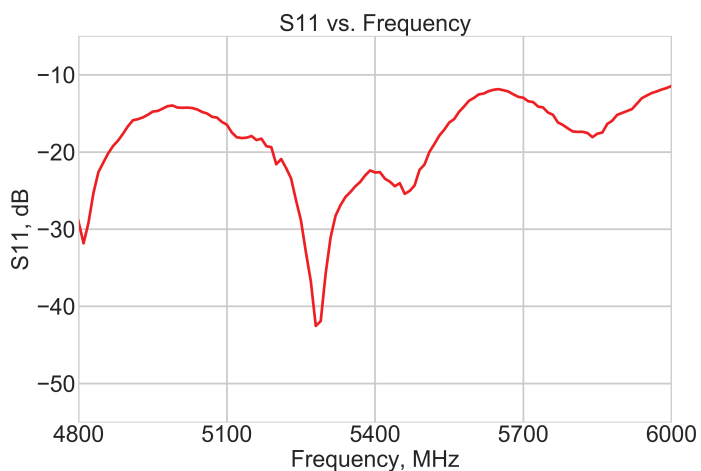
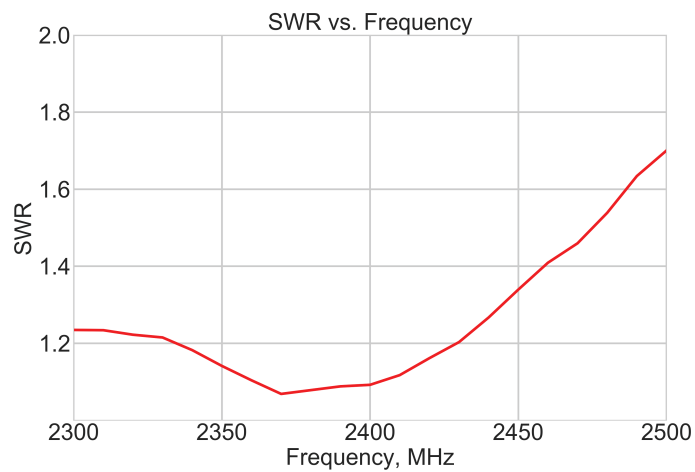
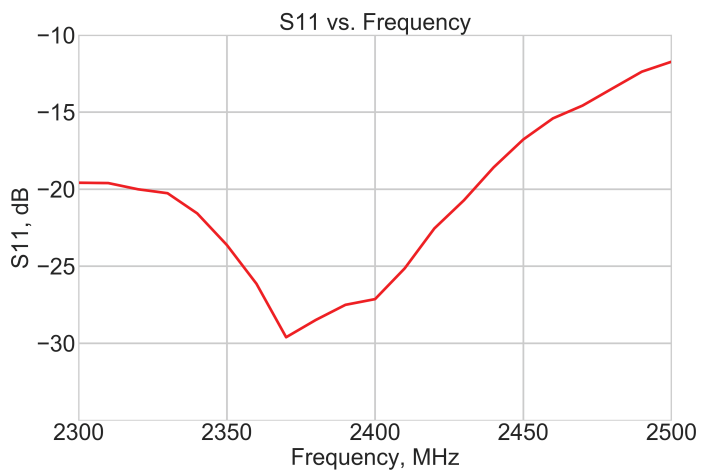
Parameter	Specification
Antenna Dimensions	Ø 30 x 280 mm (N-Jack)   Ø 23 x 255 mm (N-Plug)
Weight	0.55 kg
Operating Temperature	-40°C to 60°C
Mounting Type	Pole / Wall Mount
Wind Resistance	160 Km/h
Substance Compliance	RoHS
Certificates	IP67

### Features

- High Performance
- Dual Band 2.4/5 GHz
- UV Protected
- IP 67
- Low profile antenna
- N-Jack or N-Plug
- Easy installation: Pole / Wall Mount

### Applications

- Smart Metering
- Industrial Monitoring
- Remote Control
- IOT & M2M
- Connected Buildings

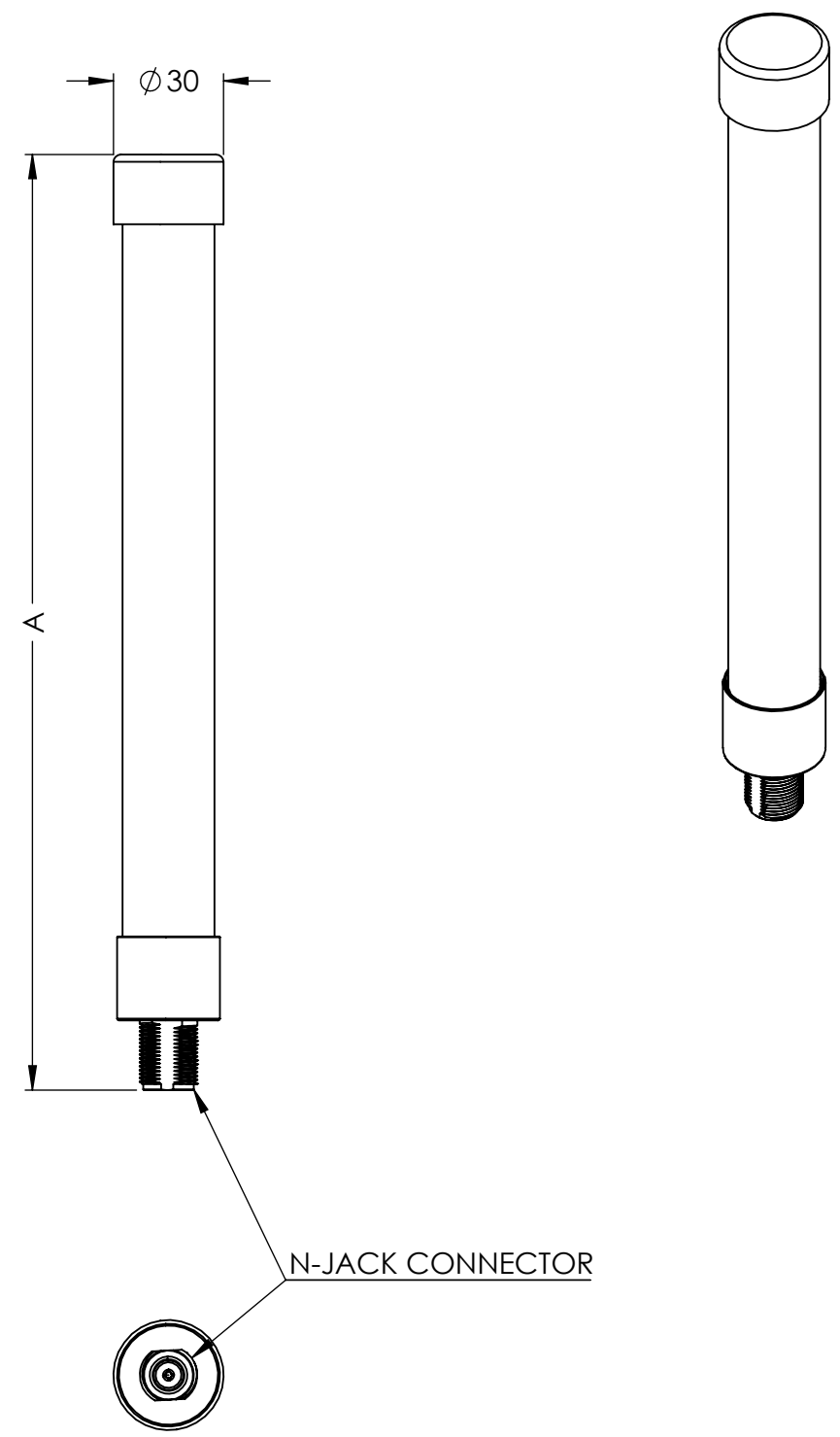


Maxtena Inc.  
 7361 Calhoun Place, Suite 102  
 Rockville, MD 20855  
 1-877-629-8362  
 info@maxtena.com  
[www.maxtena.com](http://www.maxtena.com)

8 7 6 5 4 3 2 1

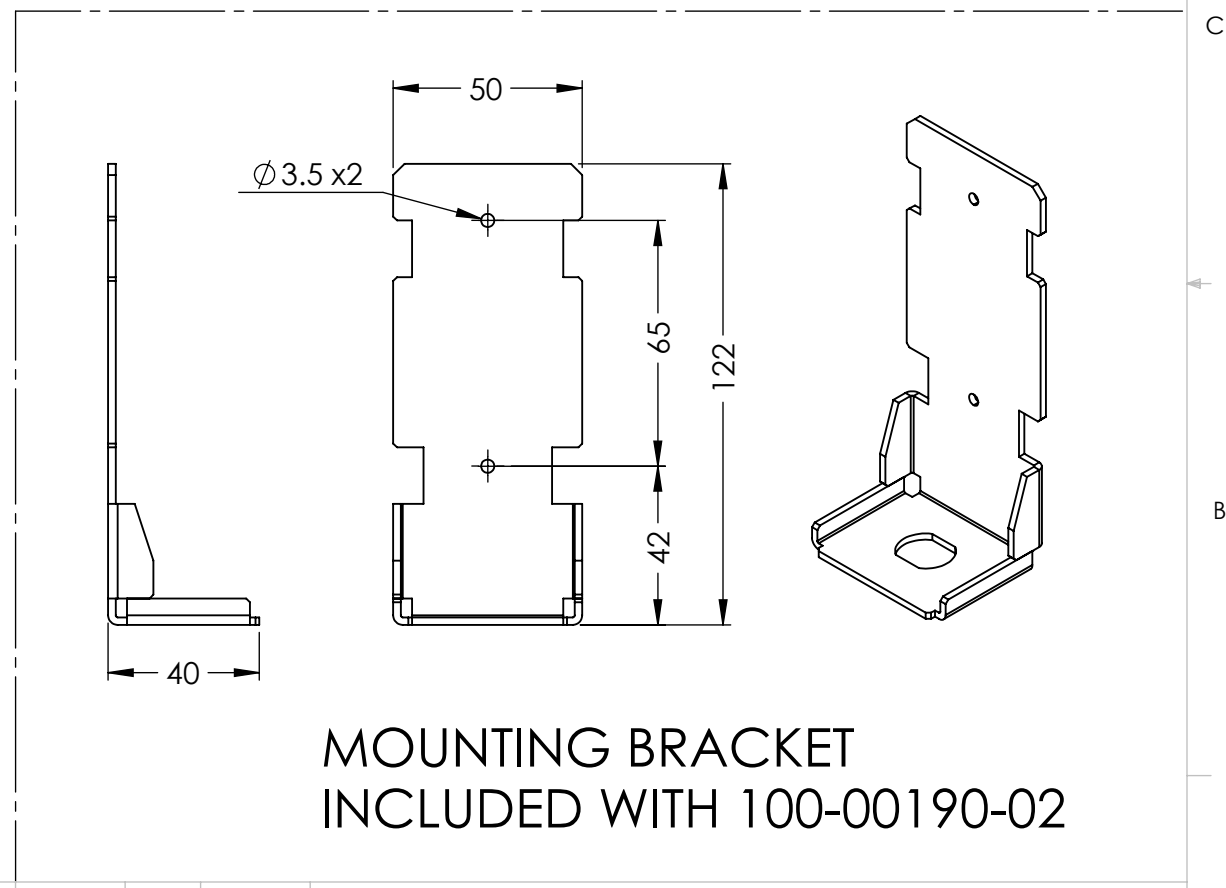
D  
C  
B  
A

D  
C  
B  
A



N-JACK CONNECTOR

100-00190-02



MOUNTING BRACKET  
INCLUDED WITH 100-00190-02

UNLESS OTHERWISE SPECIFIED:		NAME	DATE	MAXTENA, INC	
DIMENSIONS ARE IN MM		DRAWN	JET		
TOLERANCES:		CHECKED	ZX	2021-10-26	TITLE:  100-00190 MEA-2400-N
FRACTIONAL ±		ENG APPR.	NPC	2021-10-26	
ANGULAR: MACH ± .5° BEND ±		MFG APPR.			
ONE PLACE DECIMAL ± 1.0		Q.A.			
TWO PLACE DECIMAL ± .5		CAD MAINTAINED. CHANGES SHALL BE INCORPORATED BY THE DESIGN ACTIVITY.			SIZE <b>B</b>
INTERPRET GEOMETRIC TOLERANCING PER:					DWG. NO. <b>117-00480-01</b>
THIRD ANGLE PROJECTION					REV <b>A</b>
DO NOT SCALE DRAWING					CAGE CODE: 5KQH7
					SCALE: NONE
					SHEET 2 OF 2

8 7 6 5 4 3 2 1