



MEA-2700-WIFI

Omni Fiberglass Wifi/Cellular Antenna

Part #: 100-00188-01



Description

MEA-2700-WIFI is a omnidirectional WiFi/Cellular antenna with N-Jack connector for outdoor use. The antenna is 284 mm long and provides 2 dBi of gain and cover the frequencies 698-960 MHz and 1710-2690 MHz The MEA-2700-WIFI features excellent omni-directional radiation properties providing good coverage in the Wi-Fi/Cellular bands. The rugged design of the MEA-2700-WIFI is ideal to the most demanding environmental challenges. It is rated IP 67.

Electrical Specification

Parameter	Specification	
Frequency Range	698-960 MHz	1710-2690 MHz
Gain	2 dBi	2 dBi
VSWR	< 2.5	< 2.0
Beamwidth	100°±10°	90°±10°
Directional	Omni directional	
Impedance	50 Ω	
Max Power Input	150 W	

Mechanical Specification

Parameter	Specification
Antenna Dimensions	Ø 49 x 284 mm
Operating Temperature	-40°C to + 60°C
Mounting Type	Pole / Wall Mount
Connector	N-Jack or N-Plug
Weight	500 g
Wind Resistance	160 Km/h
Substance Compliance	RoHS
Certificates	IP 67

Features

- High Performance
- 698-960 MHz & 1710-2690 MHz frequency coverage
- WiFi/Cellular Bands
- Omni-directional antenna
- IP67 rating
- N-jack connector (N-Plug available)
- Easy mounting: Pole/ Wall mount

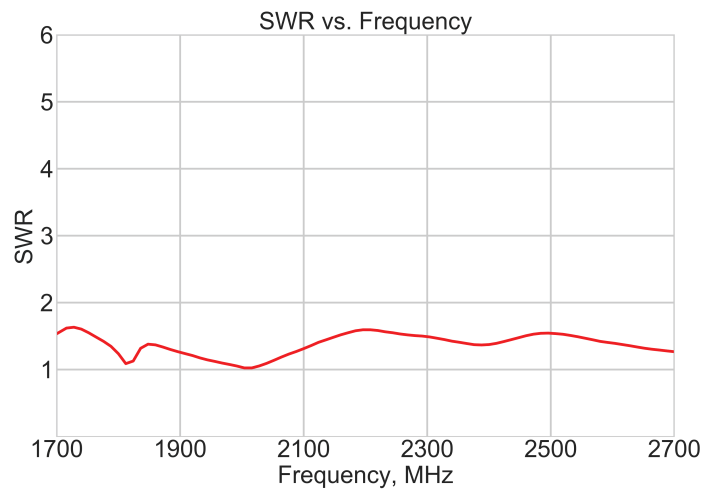
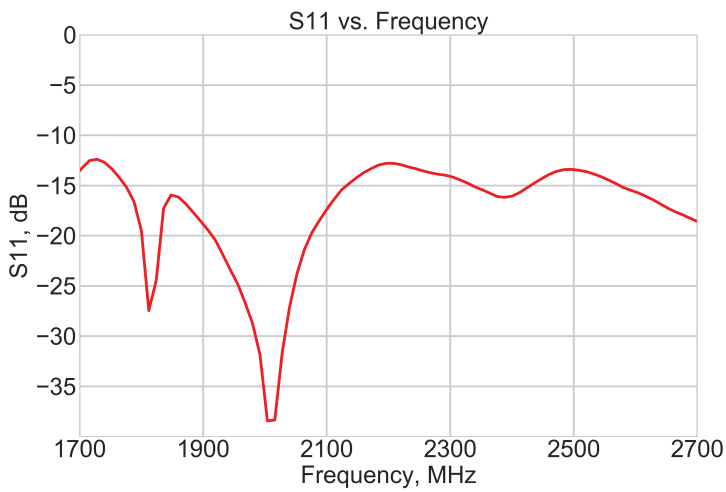
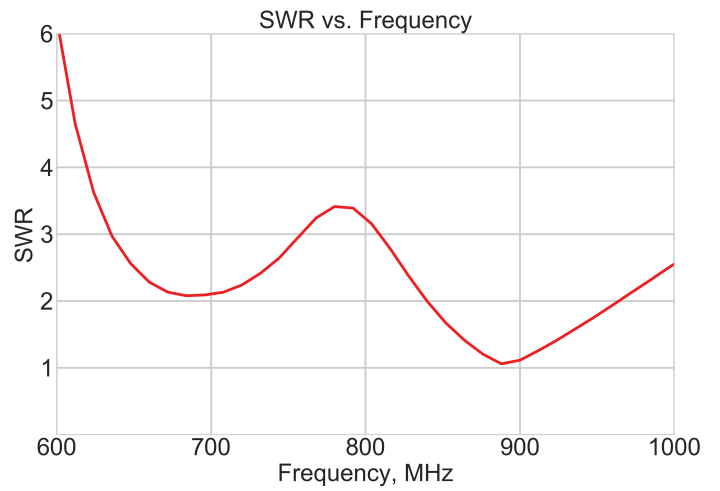
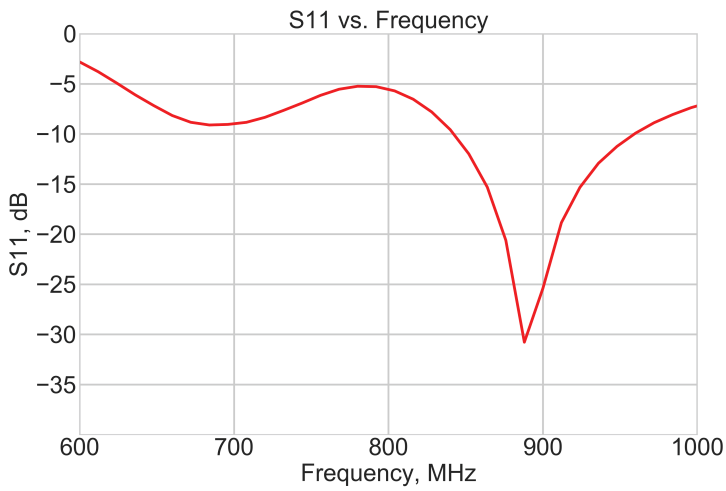
Applications

- Outdoor monitoring systems
- Motion sensors
- Vibration sensors
- IOT
- M2M
- Remote monitoring
- Tracking



Maxtena Inc.
7361 Calhoun Place, Suite 102
Rockville, MD 20855
1-877-629-8362
info@maxtena.com

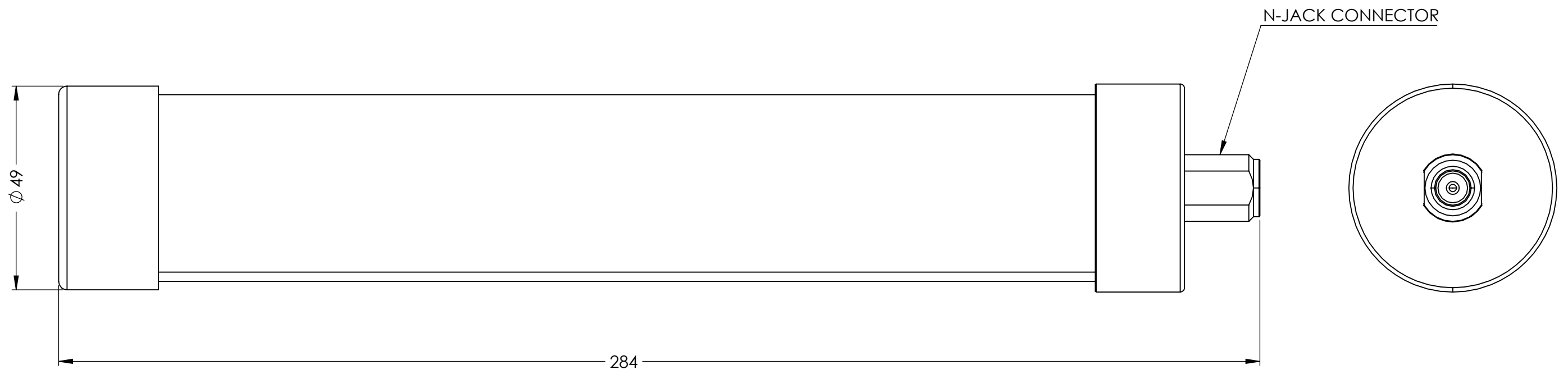
www.maxtena.com



Maxtena Inc.
 7361 Calhoun Place, Suite 102
 Rockville, MD 20855
 1-877-629-8362
 info@maxtena.com
 www.maxtena.com

- NOTES:
 1. FREQUENCY: (WIFI) 698-960 MHz AND 1710-2690 MHz
 2. MECHANICAL:
 • MOUNTING TYPE: POLE/WALL MOUNT
 • OPERATING TEMPERTATURE: -40 C ~ 60 C
 • STORAGE TEMPERTATURE: -55 C ~ 60 C
 • CERTIFICATES: IP67

DRAWING REVISION HISTORY			
REV	DESCRIPTION	DATE	BY
A	INITIAL RELEASE	2021-08-30	JET



ITEM 100-00188 REVISION HISTORY			
REV	DESCRIPTION	DATE	BY
A	INITIAL RELEASE	2021-08-30	JET

100-00188 CONFIGURATION TABLE	
DASH NO	CONNECTOR TYPE
-01	N-JACK

UNLESS OTHERWISE SPECIFIED:
 DIMENSIONS ARE IN MM
 TOLERANCES:
 FRACTIONAL: ±
 ANGULAR: MACH ± .5° BEND ±
 ONE PLACE DECIMAL ± 1.0
 TWO PLACE DECIMAL ± .50

	NAME	DATE
DRAWN	JET	2021-08-30
CHECKED	ZX	2021-08-30
ENG APPR.	NPC	2021-08-30
MFG APPR.		
Q.A.		

INTERPRET GEOMETRIC TOLERANCING PER:

 THIRD ANGLE PROJECTION
 DO NOT SCALE DRAWING

CAD MAINTAINED.
 CHANGES SHALL BE
 INCORPORATED BY
 THE DESIGN ACTIVITY.

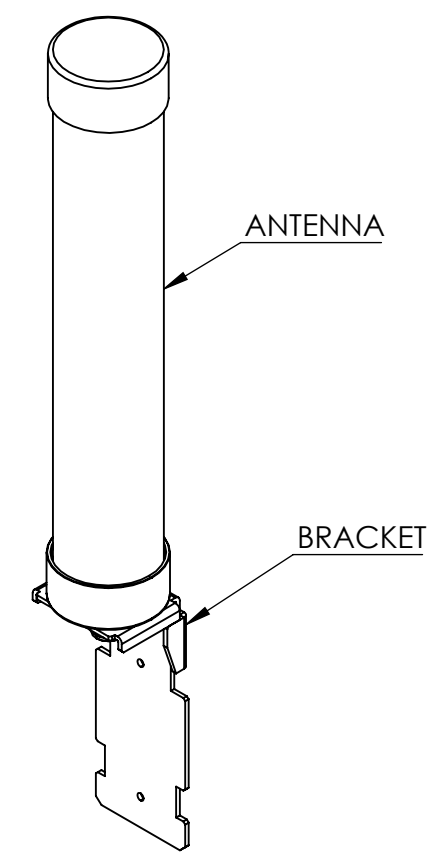
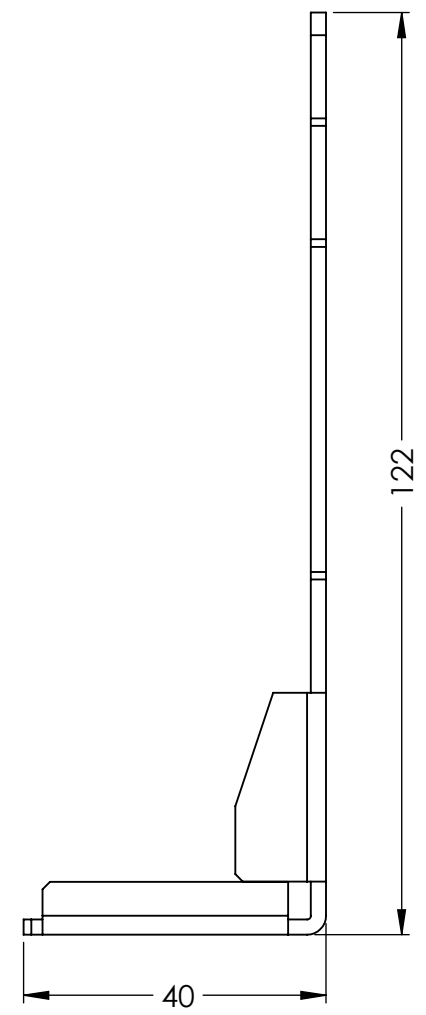
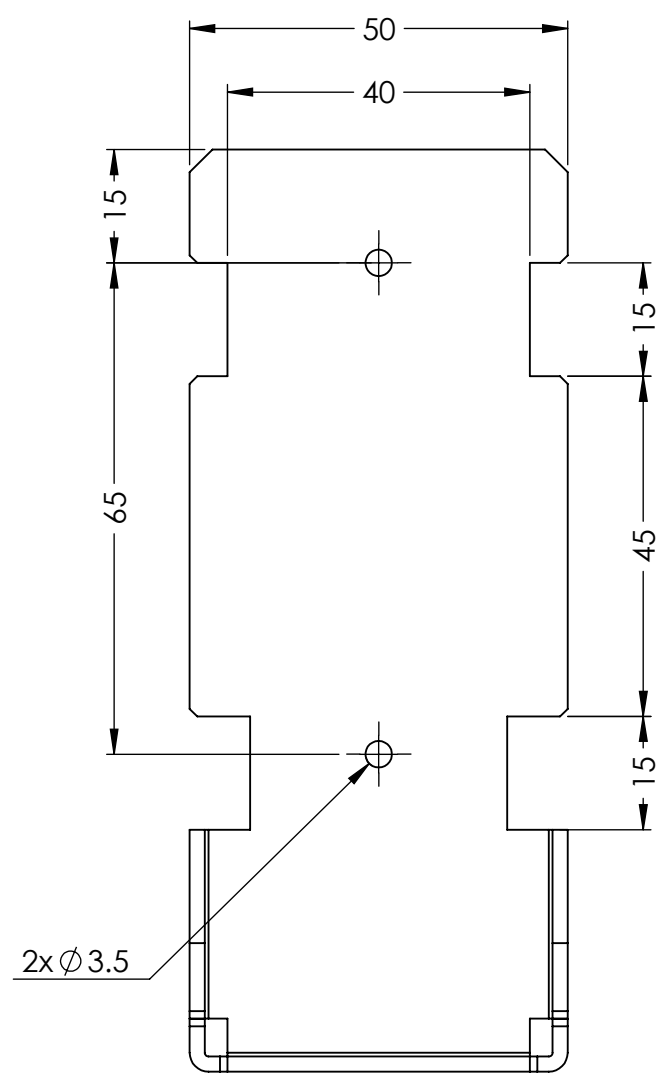
MAXTENA, INC

TITLE:
 100-00188
 MEA-2700-WIFI

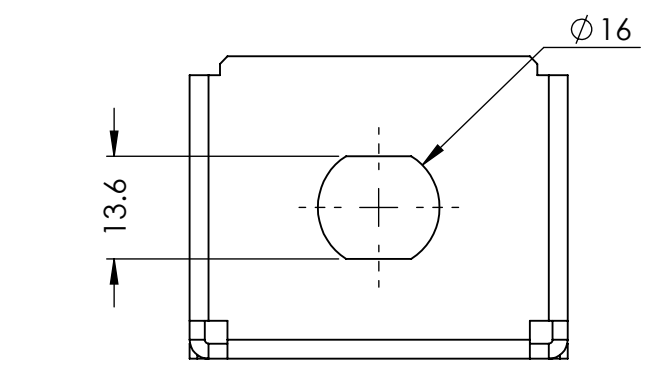
SIZE DWG. NO. REV
B 117-00485-01 **A**

CAGE CODE: 5KQH7 SCALE: NONE SHEET 1 OF 1

DRAWING REVISION HISTORY			
REV	DESCRIPTION	DATE	BY
A	INITIAL RELEASE	2021-11-05	SZ



MOUNTING VIEW



NOTES:

- MATERIAL: AISI 304 STEEL or EQUIVALENT AS APPROVED
- FEMALE N-JACK CONNECTOR MOUNTING

ITEM 311-00058-01 REVISION HISTORY			
REV	DESCRIPTION	DATE	BY
1	INITIAL RELEASE	2021-11-05	SZ

PROPRIETARY AND CONFIDENTIAL

THE INFORMATION CONTAINED IN THIS DRAWING IS THE SOLE PROPERTY OF MAXTENA, INC. ANY REPRODUCTION IN PART OR AS A WHOLE WITHOUT THE WRITTEN PERMISSION OF MAXTENA, INC IS PROHIBITED.

UNLESS OTHERWISE SPECIFIED:	NAME	DATE
DIMENSIONS ARE IN MM	DRAWN	SZ 2021-11-05
TOLERANCES:	CHECKED	ZX 2021-11-05
FRACTIONAL ±	ENG APPR.	NPC 2021-11-05
ANGULAR: MACH ± .5° BEND ±	MFG APPR.	
ONE PLACE DECIMAL ± 1.0	Q.A.	
TWO PLACE DECIMAL ± .50		
INTERPRET GEOMETRIC TOLERANCING PER:	CAD MAINTAINED. CHANGES SHALL BE INCORPORATED BY THE DESIGN ACTIVITY.	
	DO NOT SCALE DRAWING	

MAXTENA, INC		
TITLE: 311-00058-01 BRACKET, N-JACK POLE MOUNTING		
SIZE	DWG. NO.	REV
B	117-00540-01	A
CAGE CODE: 5KQH7	SCALE: NONE	SHEET 1 OF 1