



# MEA-2500-LTE-MIMO

CELLULAR/LTE MIMO Screw Mount

Part #: 100-00211-01



## Description

The MEA-2500-LTE-MIMO is a Cellular/LTE/MIMO technology solution by Maxtena. The antenna features Cellular/LTE (698-960, 1710-2170, 2500-2700 MHz). The MEA-2500-LTE-MIMO solution is ideal for high data throughput and streaming, video, industrial and IOT applications. The antennas advanced technology ensures constant reception and transmission. It offers a low profile design with easy mounting and integrated SMA-Male connectors. The antenna is rated IP67. It is available with an SMA, FAKRA or customer specified connector and cable length.

## Electrical Specification

Parameter		Specification		
Cable 1 - CELLULAR / LTE Antenna	Center Frequency	698-960 MHz	1710-2170 MHz	2500-2700 MHz
	Band	700/850/900 MHz	1700/1800/1900/2100 MHz	2600 MHz
	Return Loss	-6.9 dB	-15.3 dB	-16.7 dB
	VSWR	2.9:1	1.4:1	1.4:1
	Efficiency	37.8%	53.3%	54.9%
	Peak Gain	-0.8 dBi	3.6 dBi	4.1 dBi
	Average Gain	-4.3 dB	-2.7 dB	-2.6 dB
	Impedance	50 Ω		
	Polarization	Linear		
	Radiation Pattern	Omni-Directional		
	Max. Input Power	25 W		
Cable 2 - CELLULAR / LTE Antenna	Center Frequency	698-960 MHz	1710-2170 MHz	2500-2700 MHz
	Band	700/850/900 MHz	1700/1800/1900/2100 MHz	2600 MHz
	Return Loss	-6.8 dB	-14.3 dB	-9.3 dB
	VSWR	2.8:1	1.5:1	2.1:1
	Efficiency	38.7%	52.3%	42.1%
	Peak Gain	-0.6 dBi	2.8 dBi	3.0 dBi
	Average Gain	-4.2 dB	-2.8 dB	-3.8 dB
	Impedance	50 Ω		
	Polarization	Linear		
	Radiation Pattern	Omni-Directional		
	Max. Input Power	25 W		

## Features

- 2 in 1 antenna: CELLULAR / LTE - 698-960 MHz - 1710-2170 MHz - 2500-2700 MHz
- Wide-band antenna
- Easy mounting: Screw Mount
- Anti-rotation mounting
- High Performance
- Customizable Cable and Connector
- Dimensions: Ø 60 x 69 mm
- IP67, IP69, IK09
- Heavy duty antenna.

## Applications

- Fleet Management
- Commercial Transport
- HD Video Monitoring
- Buses, Train & Commercial Applications
- Smart Cities



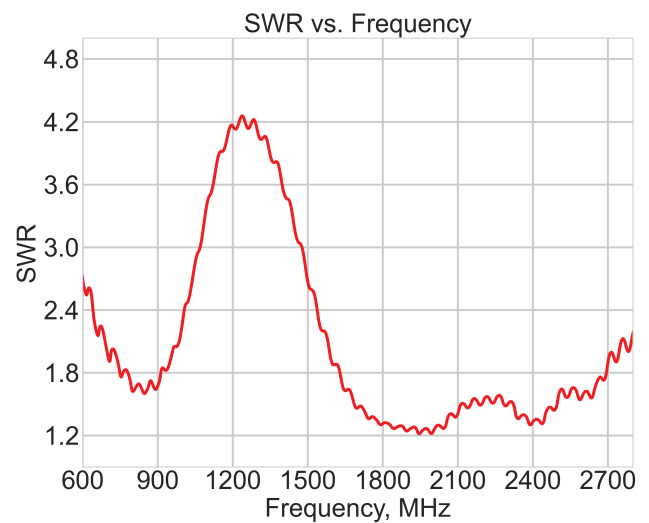
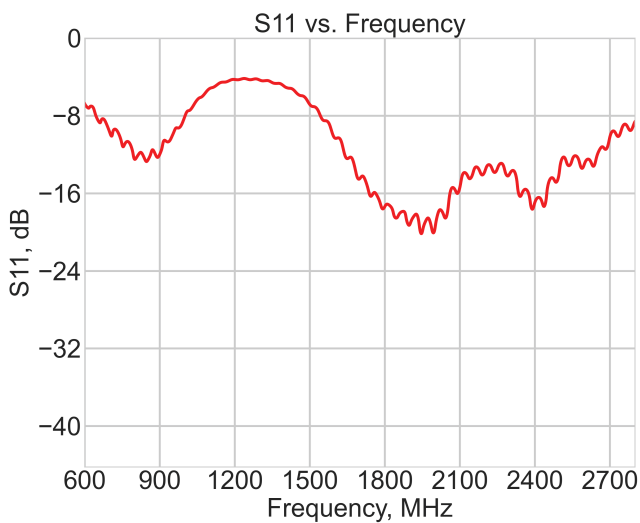
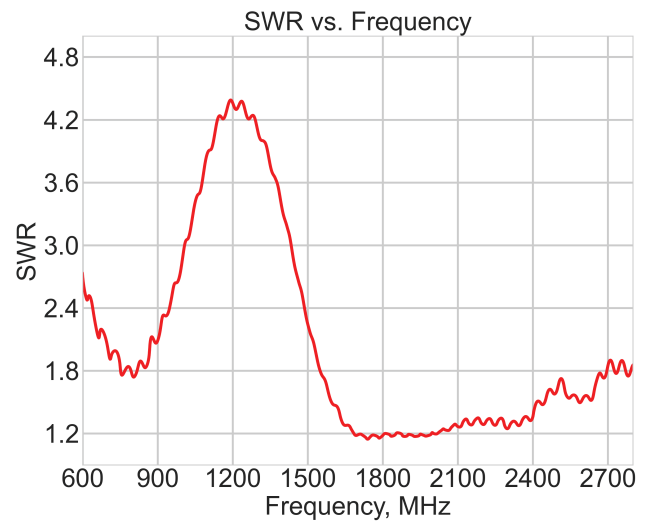
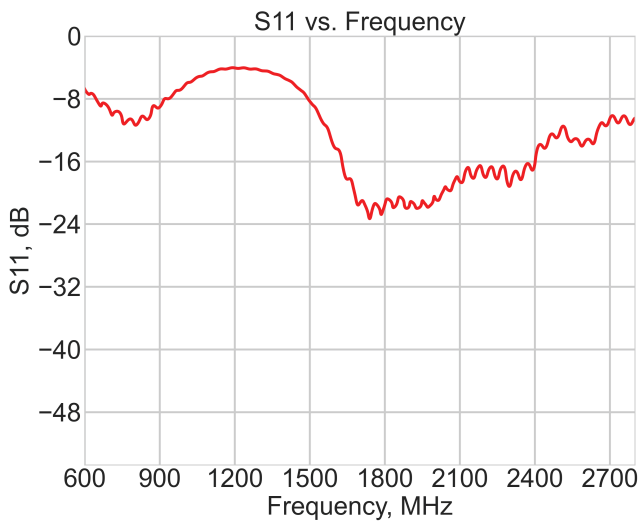
Maxtena Inc.  
7361 Calhoun Place, Suite 102  
Rockville, MD 20855  
1-877-629-8362  
info@maxtena.com

[www.maxtena.com](http://www.maxtena.com)

## Mechanical Specification

Parameter	Specification
Antenna Dimensions	Ø 60 x 69 mm
Antenna Weight	156 g
Operating Temperature	-40°C to + 85°C
Mounting Type	Screw Mount
Connector	SMA-Male (Other Connectors Available)
Cable	LL100
Radome	PC/ABS UV Stable / Black
Substance Compliance	RoHS
Certificates	IP67, IP69, IK09

\*Mounted on 30 x 30 cm Ground Plane



NOTES:

1. FREQUENCY:

CABLE 1: 698-960 MHz, 1710-2170 MHz, 2500-2700 MHz  
 CABLE 2: 698-960 MHz, 1710-2170 MHz, 2500-2700 MHz

2. DIMENSIONS ARE AFTER MOUNTING

3. CUSTOMIZABLE CABLE AND CONNECTOR TYPE

4. MOUNTING TYPE: SCREW MOUNT

5. MATERIALS:

- RADOME: PC/ABS UV STABLE
- RADOME COLOR: BLACK
- ANTENNA BASE: ZAMAK
- GASKET: TPE

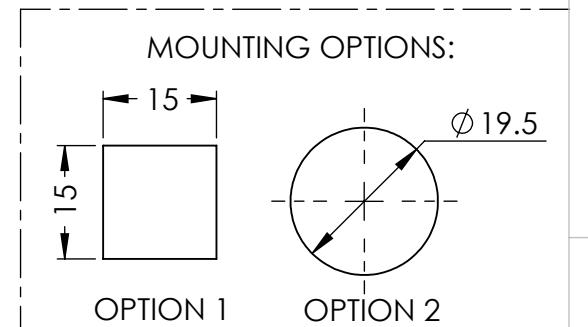
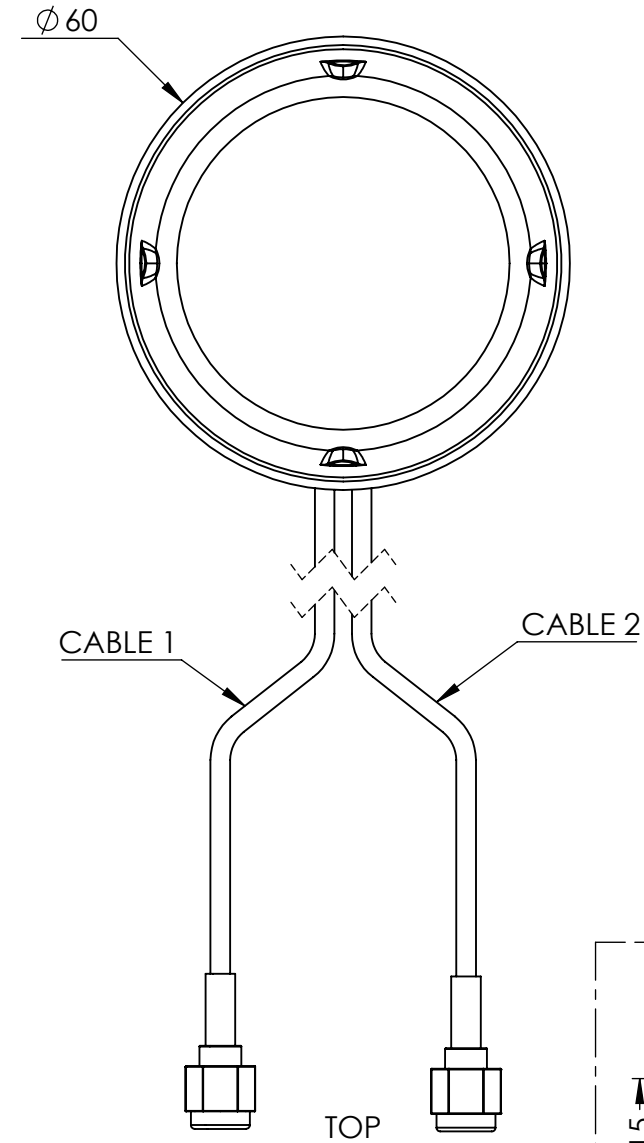
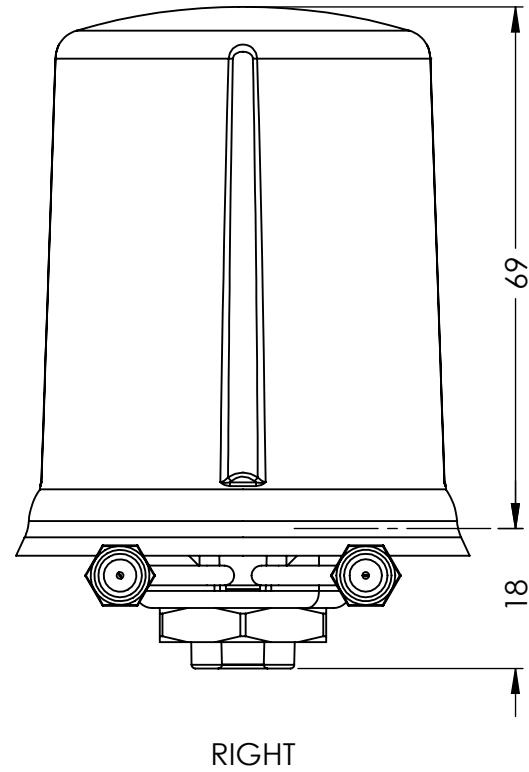
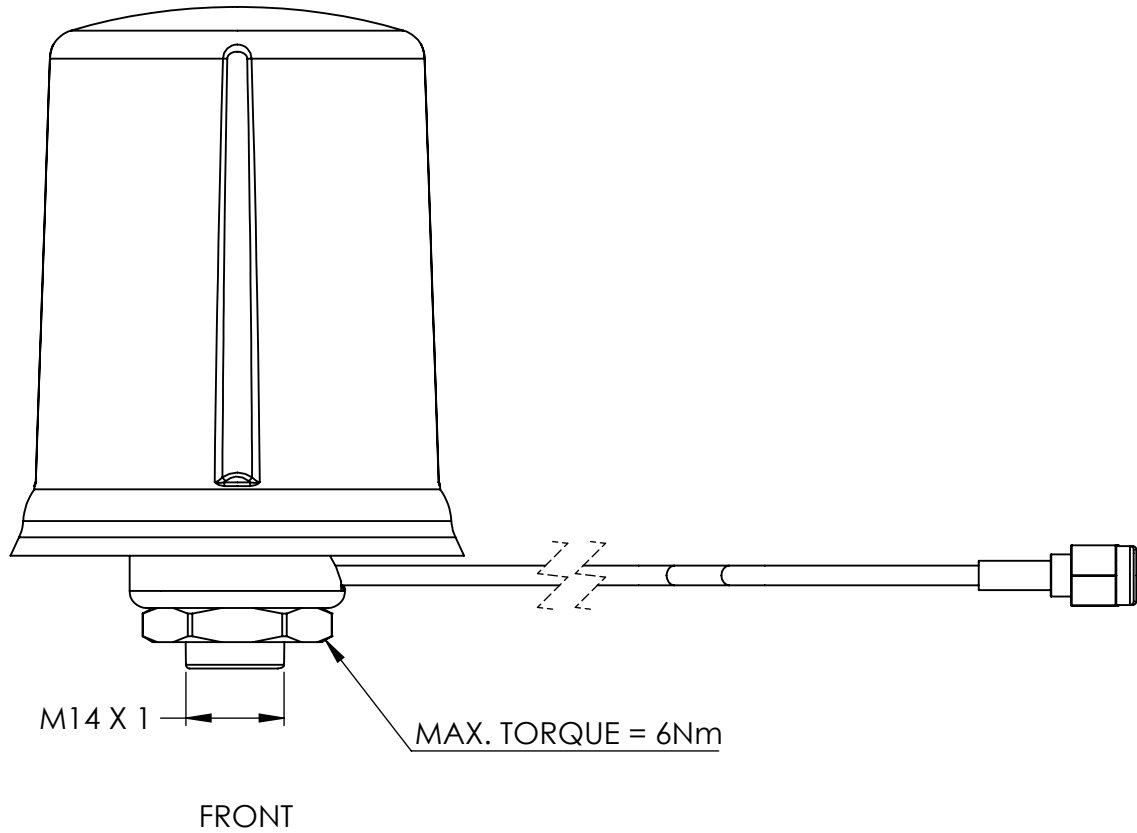
6. OPERATING TEMPERATURE: -40° C ~ +85° C

7. STORAGE TEMPERATURE: -40° C ~ +85° C

8. CERTIFICATION: IP67, IP69, IK09

DRAWING REVISION HISTORY

REV	DESCRIPTION	DATE	BY
A	INITIAL RELEASE	2021-12-15	JET



100-00211 CONFIGURATION TABLE

DASH NO	CABLE TYPE	CABLE LENGTH	CONNECTOR TYPE	RADOME COLOR
-01	CABLE 1: LL100 CABLE 2: LL100	200 CM 200 CM	SMA-MALE-GOLD SMA-MALE-GOLD	BLACK

UNLESS OTHERWISE SPECIFIED:

DIMENSIONS ARE IN MM  
 TOLERANCES:  
 FRACTIONAL: ±  
 ANGULAR: MACH ± .5° BEND ±  
 ONE PLACE DECIMAL ± 1.0  
 TWO PLACE DECIMAL ± .50

INTERPRET GEOMETRIC TOLERANCING PER:



DO NOT SCALE DRAWING

	NAME	DATE
DRAWN	JET	2021-12-15
CHECKED	ZX	2021-12-15
ENG APPR.	NPC	2021-12-15
MFG APPR.		
Q.A.		

CAD MAINTAINED. CHANGES SHALL BE INCORPORATED BY THE DESIGN ACTIVITY.

MAXTENA, INC

TITLE:

100-00211  
 MEA-2500-LTE-MIMO

ITEM 100-00211 REVISION HISTORY			
REV	DESCRIPTION	DATE	BY
A	INITIAL RELEASE	2021-12-15	JET

PROPRIETARY AND CONFIDENTIAL

THE INFORMATION CONTAINED IN THIS DRAWING IS THE SOLE PROPERTY OF MAXTENA, INC. ANY REPRODUCTION IN PART OR AS A WHOLE WITHOUT THE WRITTEN PERMISSION OF MAXTENA, INC IS PROHIBITED.

SIZE	DWG. NO.	REV
B	117-00539-01	A
CAGE CODE: 5KQH7	SCALE: NONE	SHEET 1 OF 1