

# ME A-5G NR-UWB-SMA

5G connector mount

Part #: 100-00216-01

## Description

The MEA-5G NR-UWB-SMA connector Mount Antenna is a 5G NR/ UHF antenna solution, with high gain and efficiency ideal for maintaining constant mobile connectivity. The MEA-5G NR-UWB-SMA covers all 5G, 4G, 3G and 2G frequencies. This is an ideal antenna for telematics systems, remote surveillance, asset tracking and any IOT system applications. The high performance makes this antenna ideal for the most challenging installations. This connector mount antenna is easy to install with maximum durability.



## Electrical Specifications

Parameter	Specifications			
Technologies	5G, 4G, 3G and 2G			
Standards	5G NR/4G LTE/FirstNet/CBRS/LPWA/CAT-X/CAT-Mx/CAT-NBx/NB-IoT/3G2G			
Frequency	617-960	1427-2690	3300-5000	5150-5925
Band MHz	600, 700, 850, 900	1500, 1600, 1700, 1800, 1900, 2000, 2100, 2300, 2500, 2600	3300, 3500, 3600, 3700, 4500	5200, 5500, 5800
5G NR Bands	n5, n8, n12, n20, n28, n71, n81, n82, n83,	n1, n2, n3, n7, n25, n34, n38, n39, n40, n41, n50, n51, n66, n70, n74, n75, n76, n80, n84, n86	n77, n78, n79	
4G LTE Bands	B5, B6, B8, B12, B13, B14, B17, B18, B19, B20, B26, B27, B28, B29, B44, B67, B68, B71, B85	B1, B2, B3, B4, B7, B9, B10, B11, B21, B23, B24, B25, B30, B32, B33, B34, B35, B36, B37, B38, B39, B40, B41, B45, B50, B51, B65, B66, B69, B70, B74, B75, B76	B22, B42, B43, B48, B49, B52	B46, B47, B252, B255
3G CELL Bands	B5, B6, B8, B12, B13, B14, B19, B20, B26	B1, B2, B3, B4, B7, B9, B10, B11, B21, B25, B32, B33, B34, B35, B36, B37, B38, B39, B40	B22	
2G CELL Bands	710, 750, 810T, 850, 900P, 900E, 900R	1800DCS, 1900PCS		
CDMA CELL Bands	BC0, BC2, BC3, BC7, BC9, BC10, BC12, BC18, BC19	BC1, BC4, BC6, BC8, BC13, BC14, BC15, BC16, BC20, BC21		
Return Loss (dB)	~12.4	~11.4	~12.6	~10.6
VSWR	~1.8:1	~1.9:1	~1.9:1	~2.1:1
Efficiency (%)	~80.1	~75.0	~70.2	~68.5
Peak Gain (dBi)	~3.6	~3.2	~3.5	~3.5
Average Gain (dB)	~1.1	~1.3	~1.7	~1.8
Impedance (Ohm)	50			
Polarisation	Linear			
Radiation Pattern	Omni-Directional			
Max. Input Power (W)	25			
Connector Type	SMA-Male			

## Features

- Connector Mount
- Ultra-Wide Band Antenna
- High Performance
- Ground Plane Independent
- 5G NR (617-960, 1427-2690, 3300-5000 and 5150-5925 MHz)
- Hinged Connector
- 171 x 38 x 13.8 mm

## Applications

- Asset Tracking
- Telematics
- Container & Logistics
- Automotive
- Industrial Applications
- IOT Applications

## Antenna Measurement Conditions

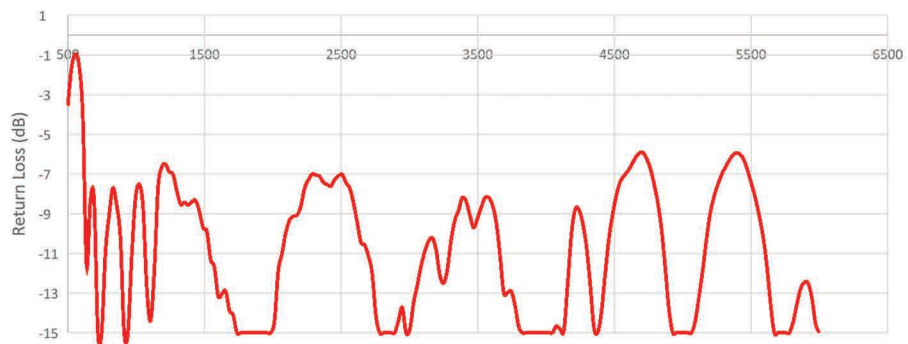
Free Space

Measured in Certified CTIA 3D Anechoic Chamber

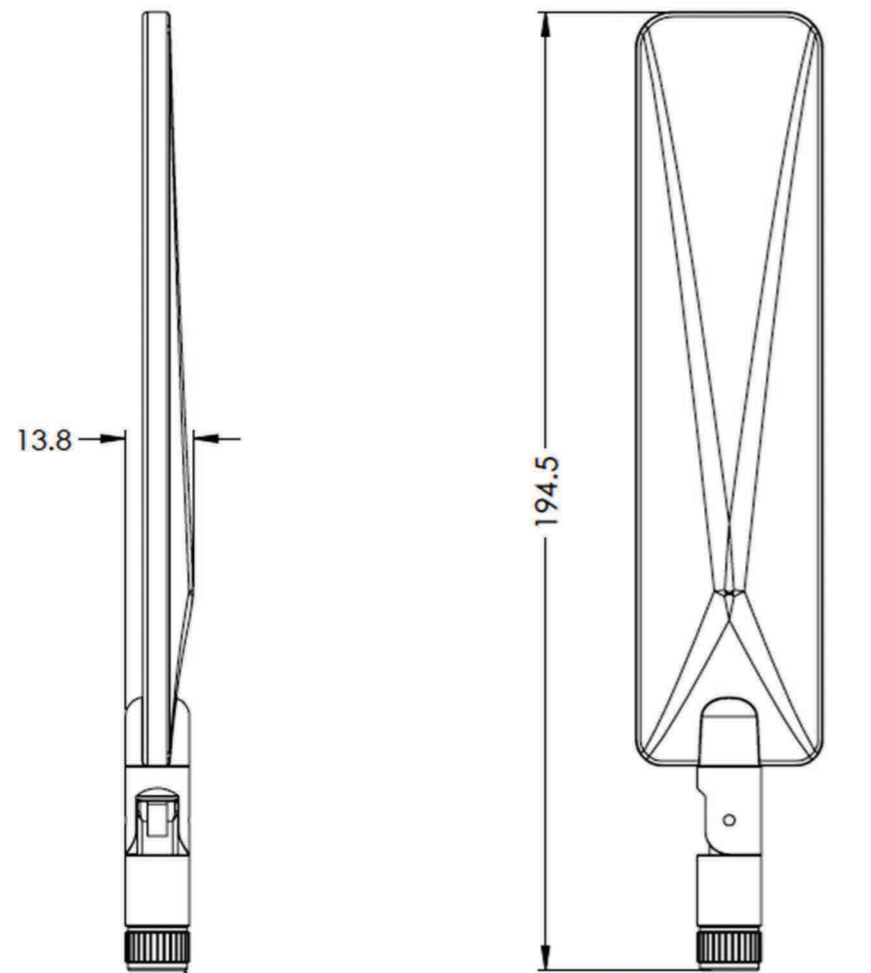
## Mechanical Specifications

Parameter	Specifications
Antenna Dimensions (mm)	171 x 38 x 13.8
Operating Temperature (C)	-40 to +85
Storage Temperature (C)	-40 to +85
Mounting Type	Connector Mount
Substance Compliance	RoHS
Radome Type/Color	PC/ABS UV Stable/Black
Connector Feature	Hinged

### ANTENNA PARAMETERS

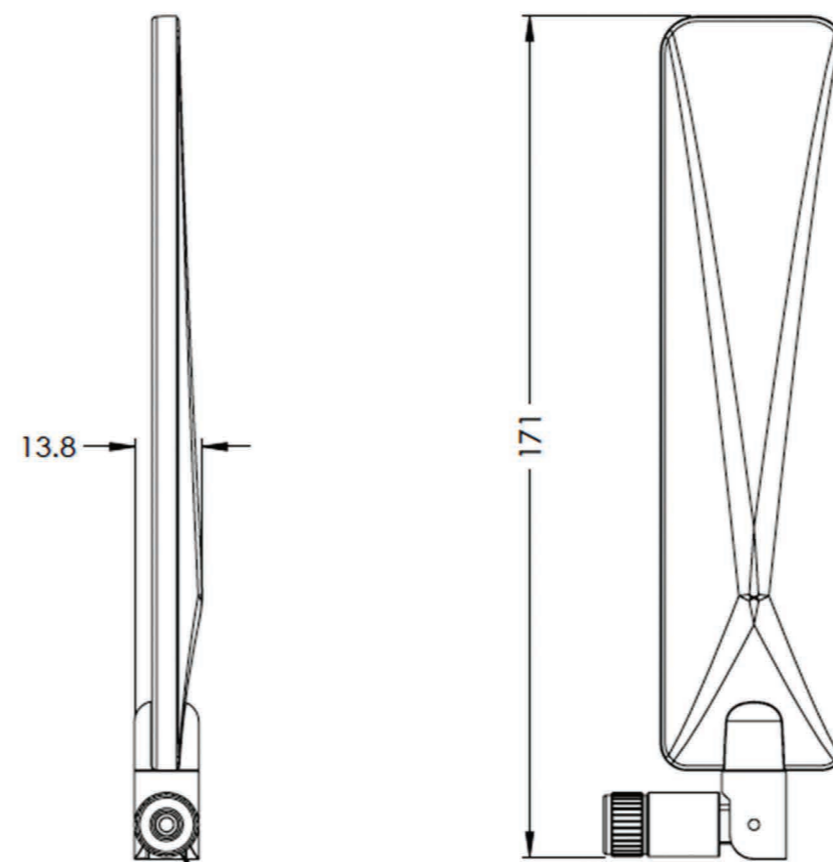


DRAWING REVISION HISTORY			
REV	DESCRIPTION	DATE	BY
A	INITIAL RELEASE	2021-12-15	JET



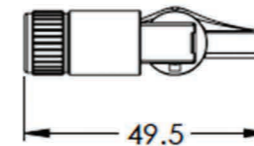
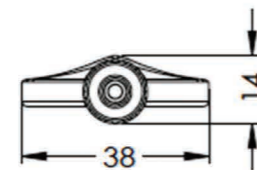
SMA MALE CONNECTOR

CONNECTOR POSITION 1



SMA MALE CONNECTOR

CONNECTOR POSITION 2



NOTES:

- FREQUENCY (5G, 4G, 3G, 2G):
  - 410-496 MHz
  - 617-960 MHz
  - 1427-2690 MHz
  - 3300-5000 MHz
  - 5150-5925 MHz
- MOUNTING TYPE: HINGED CONNECTOR MOUNT
- MATERIALS:
  - RADOME: PC/ABS UV STABLE
  - RADOME COLOR: BLACK or WHITE
- OPERATING TEMPERATURE: -40° C ~ +85° C
- STORAGE TEMPERATURE: -40° C ~ +85° C

ITEM 100-00216 REVISION HISTORY			
REV	DESCRIPTION	DATE	BY
A	INITIAL RELEASE	2021-12-15	JET

100-00216 CONFIGURATION TABLE		
DASH NO	CONNECTOR TYPE	RADOME COLOR
-01	SMA-MALE	BLACK

UNLESS OTHERWISE SPECIFIED:	NAME	DATE
DIMENSIONS ARE IN MM	DRAWN	JET 2021-12-15
TOLERANCES:	CHECKED	ZX 2021-12-15
FRACTIONAL ±	ENG APPR.	NPC 2021-12-15
ANGULAR: MACH ± .5° BEND ±	MFG APPR.	
ONE PLACE DECIMAL ± 1.0	Q.A.	
TWO PLACE DECIMAL ± .50		
INTERPRET GEOMETRIC TOLERANCING PER:	CAD MAINTAINED. CHANGES SHALL BE INCORPORATED BY THE DESIGN ACTIVITY.	
	DO NOT SCALE DRAWING	

MAXTENA, INC		
TITLE: 100-00216 MEA-5GNR-UWB-SMA		
SIZE B	DWG. NO. 117-00544-01	REV A
CAGE CODE: 5KQH7	SCALE: NONE	SHEET 1 OF 1

PROPRIETARY AND CONFIDENTIAL

THE INFORMATION CONTAINED IN THIS DRAWING IS THE SOLE PROPERTY OF MAXTENA, INC. ANY REPRODUCTION IN PART OR AS A WHOLE WITHOUT THE WRITTEN PERMISSION OF MAXTENA, INC IS PROHIBITED.