



# MEA-5GNR-UWB-CM

5GNR Connector Mount

Part #: 100-00218-01

## Description

The MEA-5GNR-UWB-CM connector Mount Antenna is a 5GNR antenna solution, with high gain and efficiency ideal for maintaining constant mobile connectivity. The MEA-5GNR-UWB-CM covers all 5G, 4G, 3G and 2G frequencies. This is an ideal antenna for telematics systems, remote surveillance, asset tracking and any IOT system applications. The high performance make this antenna ideal for the most challenging installations.

This connector mount antenna is easy to install with maximum durability.



## Electrical Specification

Parameter	Specification	
Center Frequency	617-960 MHz	1427-2690 MHz
Band	600, 700, 850, 900 MHz	1500, 1600, 1700, 1800, 1900, 2000, 2100, 2300, 2500, 2600 MHz
Return Loss	-8.3 dB	-8.5 dB
VSWR	2.8:1	2.5:1
Efficiency	51.9%	68.4%
Peak Gain	0.0 dBi	1.7 dBi
Average Gain	-3.0 dB	-1.7 dB
Center Frequency	3300-5000 MHz	5150-5925 MHz
Band	3300, 3500, 3600, 3700, 4500 MHz	5200, 5500, 5800 MHz
Return Loss	-4.7 dB	-7.3 dB
VSWR	5.1:1	3.9:1
Efficiency	40.0%	38.3%
Peak Gain	1.1 dBi	1.6 dBi
Average Gain	-4.3 dB	-4.4 dB
Impedance	50 Ω	
Polarization	Linear	
Radiation Pattern	Omni-Directional	
Max. Input Power	25 W	

## Features

- 5GNR (617-960 MHz, 1427-2690 MHz, 3300-5000 MHz, and 5150-5925 MHz)
- Easy mounting: Connector Mount
- Ground Plane Independent
- Ultra-Wide band Antenna
- High Performance
- Ground Plane Independent
- Hinged Connector
- Low profile 171 × 38 × 13.8 mm

## Applications

- Asset Tracking
- Telematics
- Container & Logistics
- Automotive
- Industrial Applications
- IOT Applications

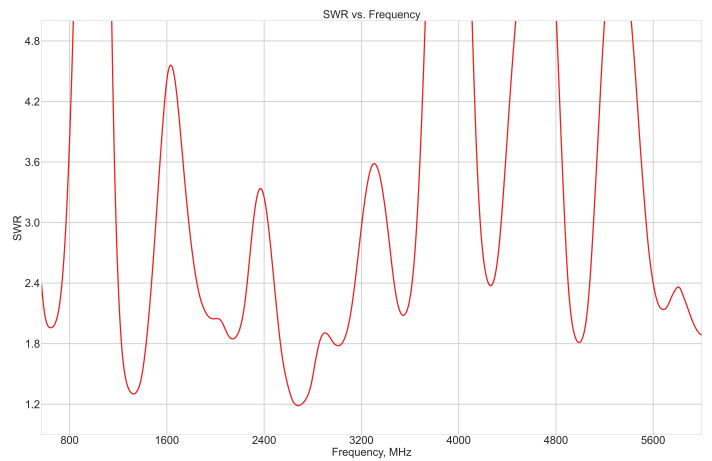
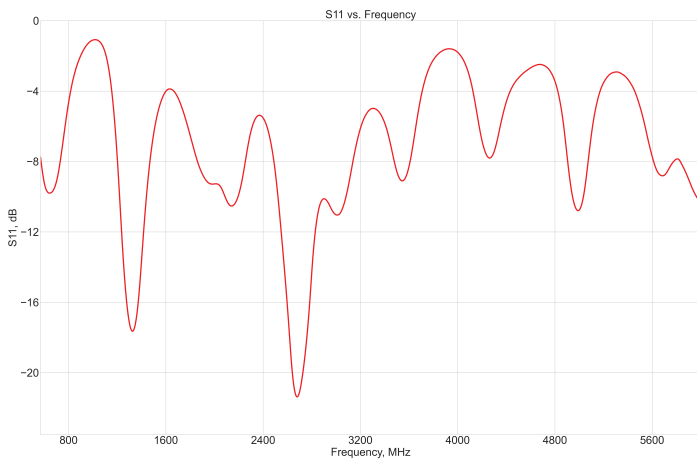


Maxtena Inc.  
7361 Calhoun Place, Suite 102  
Rockville, MD 20855  
1-877-629-8362  
info@maxtena.com

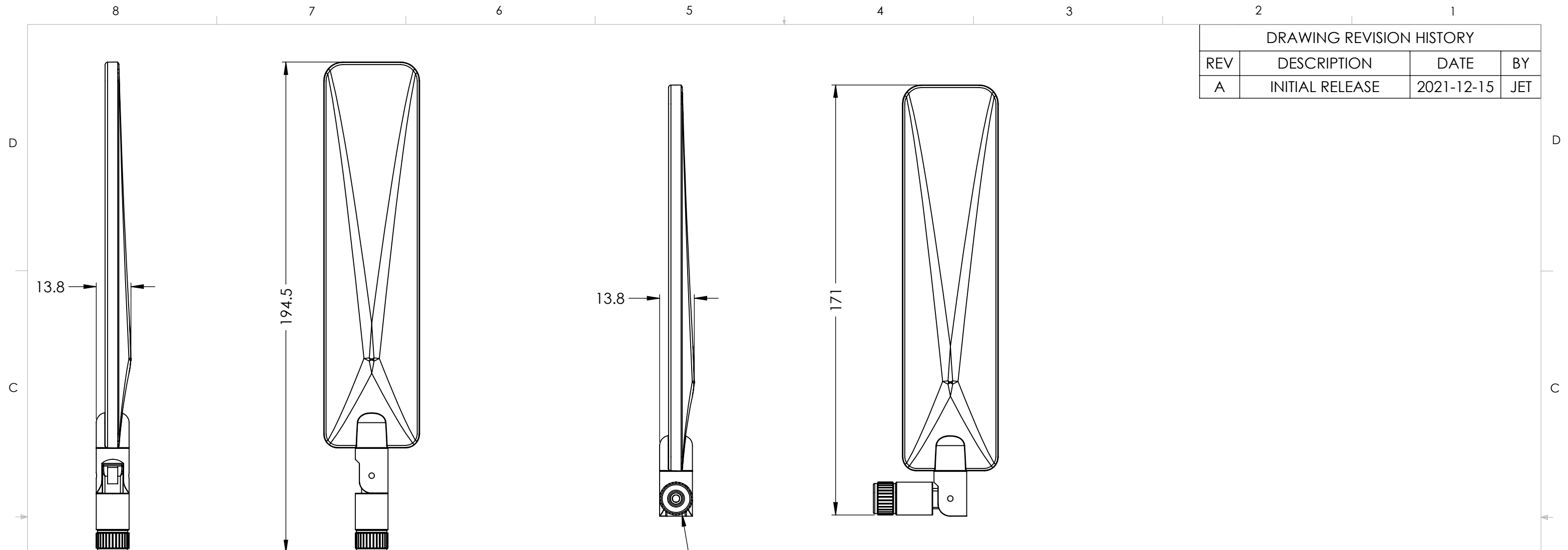
[www.maxtena.com](http://www.maxtena.com)

## Mechanical Specification

Parameter	Specification
Antenna Dimensions	171 × 38 × 13.8 mm
Weight	43 g
Operating Temperature	-40°C to + 85°C
Mounting Type	Connector Mount
Connector	SMA-Male
Connector Feature	Hinged
Radome	PC/ABS UV Stable
Radome color	Black or White
Substance Compliance	RoHS, REACH

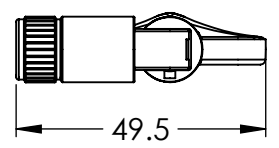
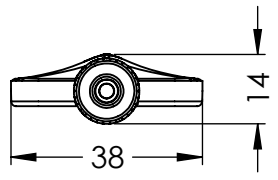


DRAWING REVISION HISTORY			
REV	DESCRIPTION	DATE	BY
A	INITIAL RELEASE	2021-12-15	JET



SMA MALE CONNECTOR

SMA MALE CONNECTOR



CONNECTOR POSITION 1

CONNECTOR POSITION 2

- NOTES:
- FREQUENCY (5G, 4G, 3G, 2G):
    - 617-960 MHz
    - 1427-2690 MHz
    - 3300-5000 MHz
    - 5150-5925 MHz
  - MOUNTING TYPE: HINGED CONNECTOR MOUNT
  - MATERIALS:
    - RADOME: PC/ABS UV STABLE
    - RADOME COLOR: BLACK or WHITE
  - OPERATING TEMPERATURE: -40° C ~ +85° C
  - STORAGE TEMPERATURE: -40° C ~ +85° C

ITEM 100-00218 REVISION HISTORY			
REV	DESCRIPTION	DATE	BY
A	INITIAL RELEASE	2021-12-15	JET

100-00218 CONFIGURATION TABLE		
DASH NO	CONNECTOR TYPE	RADOME COLOR
-01	SMA-MALE	BLACK

UNLESS OTHERWISE SPECIFIED:  
DIMENSIONS ARE IN MM  
TOLERANCES:  
FRACTIONAL: ±  
ANGULAR: MACH ± .5° BEND ±  
ONE PLACE DECIMAL ± 1.0  
TWO PLACE DECIMAL ± .50

	NAME	DATE
DRAWN	JET	2021-12-15
CHECKED	ZX	2021-12-15
ENG APPR.	NPC	2021-12-15
MFG APPR.		
	Q.A.	

INTERPRET GEOMETRIC TOLERANCING PER:  
  
THIRD ANGLE PROJECTION  
DO NOT SCALE DRAWING

CAD MAINTAINED. CHANGES SHALL BE INCORPORATED BY THE DESIGN ACTIVITY.

MAXTENA, INC

TITLE:  
100-00218  
MEA-5GNR-UWB-CM

SIZE	DWG. NO.	REV
<b>B</b>	<b>117-00546-01</b>	<b>A</b>

CAGE CODE: 5KQH7      SCALE: NONE      SHEET 1 OF 1