



MEA-5GNR-LP-SM

5GNR Screw Mount
Part #: 100-00222-01



Description

The MEA-5GNR-LP-SM screw Mount Antenna is a 5GNR antenna solution, with high gain and efficiency ideal for maintaining constant mobile connectivity. The MEA-5GNR-LP-SM covers all 5G, 4G, 3G and 2G frequencies. This is an ideal antenna for telematics systems, remote surveillance, asset tracking and any IOT system applications. The high performance make this antenna ideal for the most challenging installations.

This screw mount antenna is easy to install with maximum durability. The MEA-5GNR-LP-SM has one cable with a SMA-Male standard connector, 3m standard cable length and is fully customizable by offering additional connector types, cable lengths and cable types.

Electrical Specification

Parameter	Specification	
Center Frequency	617-960 MHz	1427-2690 MHz
Band	600, 700, 850, 900 MHz	1500, 1600, 1700, 1800, 1900, 2000, 2100, 2300, 2500, 2600 MHz
Return Loss	-9.7 dB	-10.0 dB
VSWR	2.3:1	2.1:1
Efficiency	48.1%	45.9%
Peak Gain	2.9 dBi	2.1 dBi
Average Gain	-3.5 dB	-3.7 dB
Center Frequency	3300-5000 MHz	5150-5925 MHz
Band	3300, 3500, 3600, 3700, 4500 MHz	5200, 5500, 5800 MHz
Return Loss	-10.8 dB	-14.7 dB
VSWR	2.0:1	1.6:1
Efficiency	25.2%	22.5%
Peak Gain	0.5 dBi	-1.0 dBi
Average Gain	-6.2 dB	-6.8 dB
Impedance	50 Ω	
Polarization	Linear	
Radiation Pattern	Omni-Directional	
Max. Input Power	25 W	

Features

- 5GNR (617-960 MHz, 1427-2690 MHz, 3300-5000 MHz, and 5150-5925 MHz)
- Easy mounting: Screw Mount
- Ground Plane Independent
- Customizable Cable and Connector
- Low profile: Ø 50 x 50.8 mm
- IP67, IP69

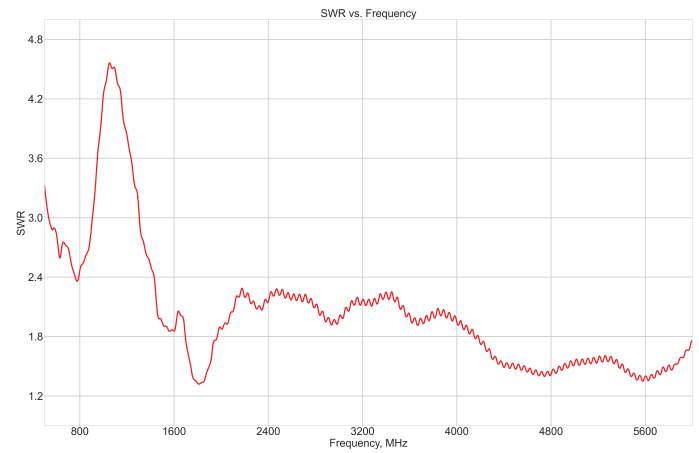
Applications

- Asset Tracking
- Telematics
- Container & Logistics
- Automotive
- Industrial Applications
- IOT Applications

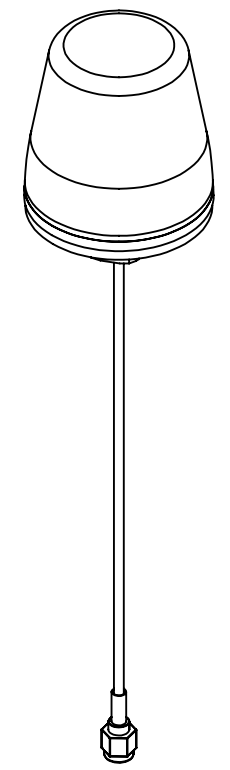
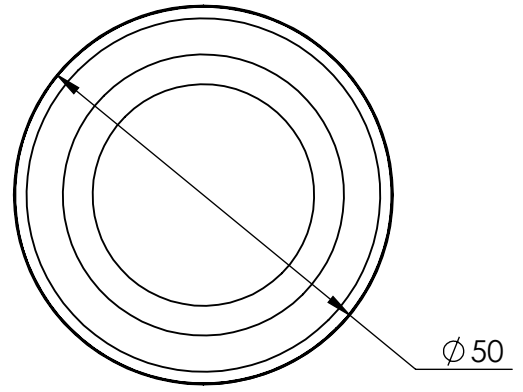
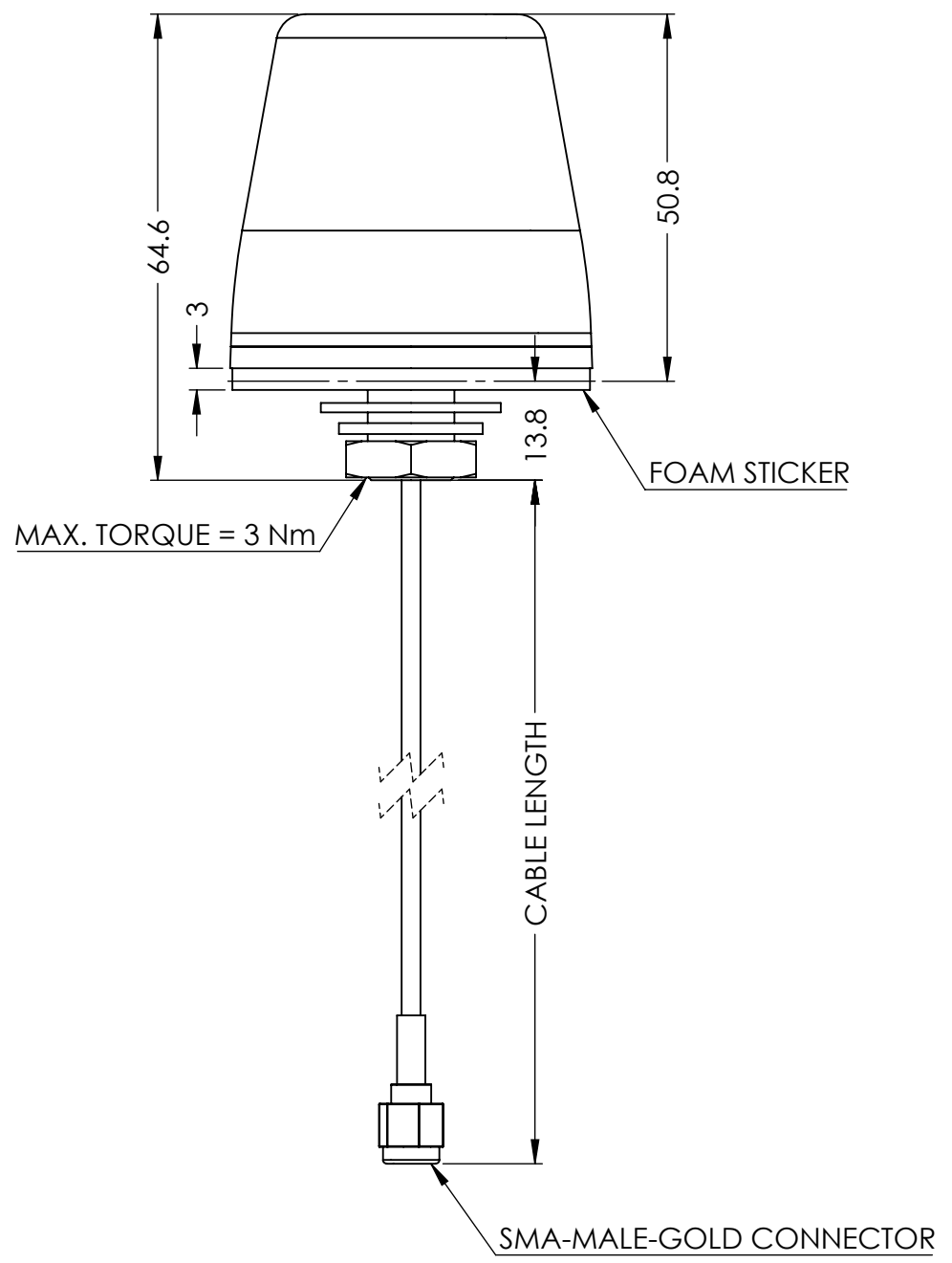
Mechanical Specification

Parameter	Specification
Antenna Dimensions	Ø 50 x 50.8
Weight	72 g
Operating Temperature	-40°C to + 85°C
Mounting Type	Screw Mount
Connector	SMA-Male
Cable	LL100
Radome	ASA / Black
Substance Compliance	RoHS
Certificates	IP67, IP69

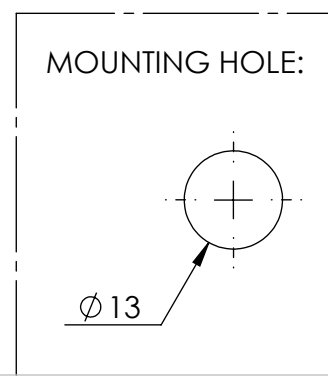
*Mounted on 30 x 30 cm Ground Plane



DRAWING REVISION HISTORY			
REV	DESCRIPTION	DATE	BY
A	INITIAL RELEASE	2021-12-15	JET



- NOTES:
- FREQUENCY (5G NR):
617-960 MHz, 1427-2690 MHz, 3300-5000 MHz, 5150-5925 MHz
 - DIMENSIONS ARE AFTER MOUNTING
 - CUSTOMIZABLE CABLE AND CONNECTOR TYPE
 - MOUNTING TYPE: SCREW MOUNT
 - MATERIALS:
 - RADOME: ASA
 - RADOME COLOR: BLACK
 - ANTENNA BASE: ZAMAK
 - GASKET: DOUBLE SIDED FOAM
 - OPERATING TEMPERATURE: -40°C ~ +85°C
 - STORAGE TEMPERATURE: -40°C ~ +85°C
 - CERTIFICATION: IP67, IP69



ITEM 100-00222 REVISION HISTORY			
REV	DESCRIPTION	DATE	BY
A	INITIAL RELEASE	2021-12-15	JET

100-00222 CONFIGURATION TABLE			
DASH NO	CABLE TYPE	CABLE LENGTH	CONNECTOR TYPE
-01	LL100	200 CM	SMA-MALE-GOLD

UNLESS OTHERWISE SPECIFIED:

DIMENSIONS ARE IN MM
TOLERANCES:
FRACTIONAL ±
ANGULAR: MACH ± .5° BEND ±
ONE PLACE DECIMAL ± 1.0
TWO PLACE DECIMAL ± .50

INTERPRET GEOMETRIC TOLERANCING PER:

THIRD ANGLE PROJECTION

DO NOT SCALE DRAWING

	NAME	DATE
DRAWN	JET	2021-12-15
CHECKED	ZX	2021-12-15
ENG APPR.	NPC	2021-12-15
MFG APPR.		
Q.A.		

CAD MAINTAINED. CHANGES SHALL BE INCORPORATED BY THE DESIGN ACTIVITY.

MAXTENA, INC

TITLE: 100-00222 MEA-5G NR-LP-SM

SIZE B DWG. NO. 117-00553-01 REV A

CAGE CODE: 5KQH7 SCALE: NONE SHEET 1 OF 1