



MEA-2410-ISM

2.4/5.0 GHz ISM Screw Mount Antenna

Part #: 100-00196-01



Description

The MEA-2410-ISM screw mount Antenna is a low profile antenna solution, with a very high-performance ideal for maintaining constant network connectivity. The MEA-2410-ISM covers all WiFi, BT, ZigBee, and ISM standard frequencies. This is an ideal antenna for telematics systems, remote surveillance, asset tracking and any IOT system applications. The MEA-2410-ISM is easy to install with maximum durability offering IP67 rated housing and anti-rotation mounting. The antenna has a 2m standard one cable with an SMA-Male standard connector, and is fully customizable by offering additional connector types, cable lengths and cable types. The high performance and low profile make this antenna ideal for the most challenging installations.

Electrical Specifications

Parameter	Specification	
Frequency Range	2410-2490 MHz	4920-5925 MHz
Band	2.4 GHz	5.0 GHz
Return Loss	-11.3 dB	-12.4dB
VSWR	1.8:1	1.8:1
Efficiency	50.5%	48%
Peak Gain	2.6 dBi	4.4 dBi
Average Gain	-3.0 dB	-3.2 dB
Impedance	50 Ω	
Polarisation	Linear	
Radiation Pattern	Omni-Directional	
Max. Input Power	25 W	

Mechanical Specification

Parameter	Specification
Antenna Dimensions	Ø 77.3 × 65.5 mm
Operating Temperature	-40°C to 85°C
Connector Type	SMA-Male Standard
Mounting Type	Screw Mount
Radome	ASA / Black
Max. Tighten Torque	6 Nm
Antenna Base / Gasket	Zamak / TPE
Substance Compliance	RoHS
Certificates	IP67, IK09, IP69K

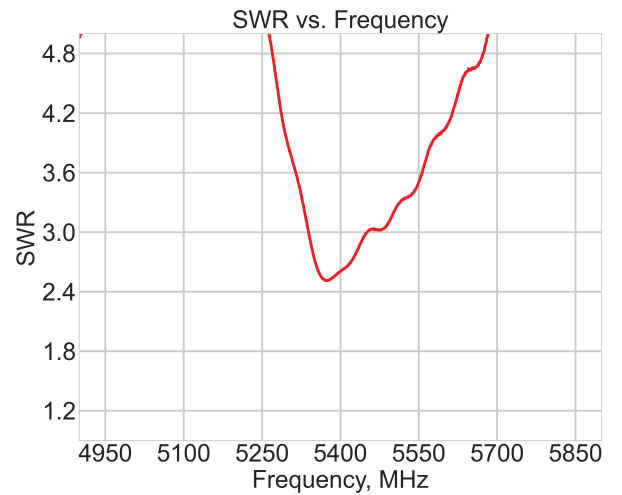
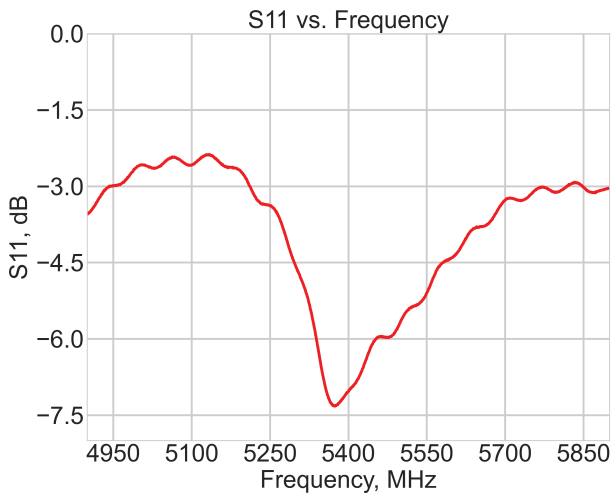
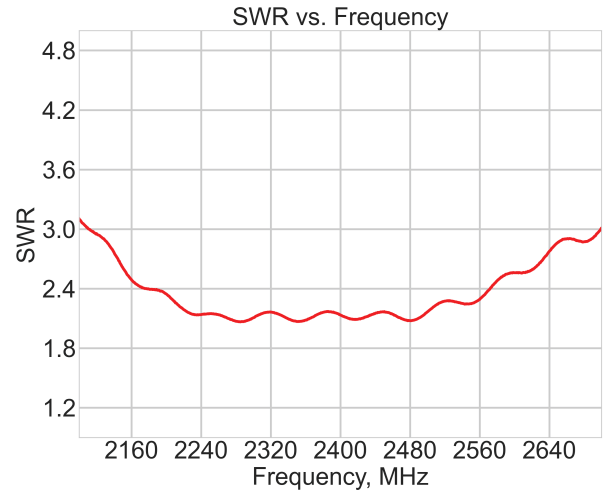
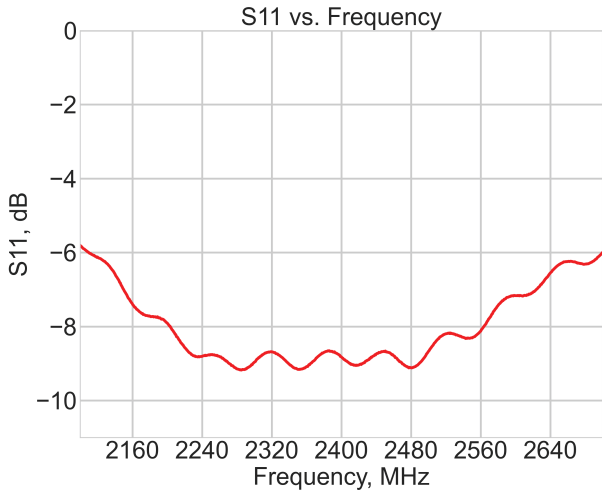
*Mounted on Ground Plane of 30x30 mm

Features

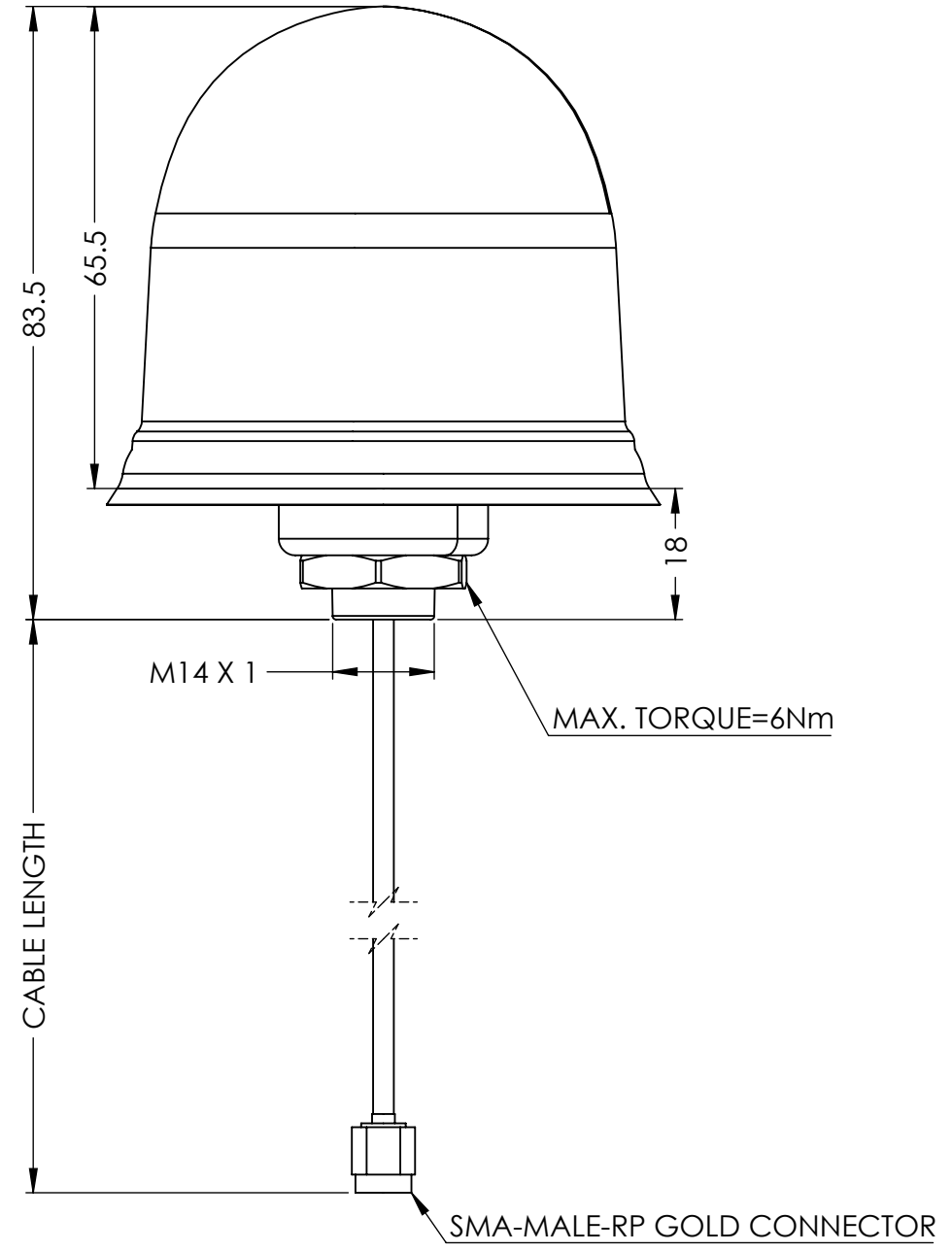
- Frequency coverage: 2.4/5.0 GHz ISM 2410-2490 MHz - 4920-5925 MHz
- Screw Mount
- Anti-Rotation Mechanism
- Ground Plane Independent
- Customizable Cable and Connector
- IP67
- IK09
- IP69K
- Low profile : Ø 77.3 × 65.5 mm

Applications

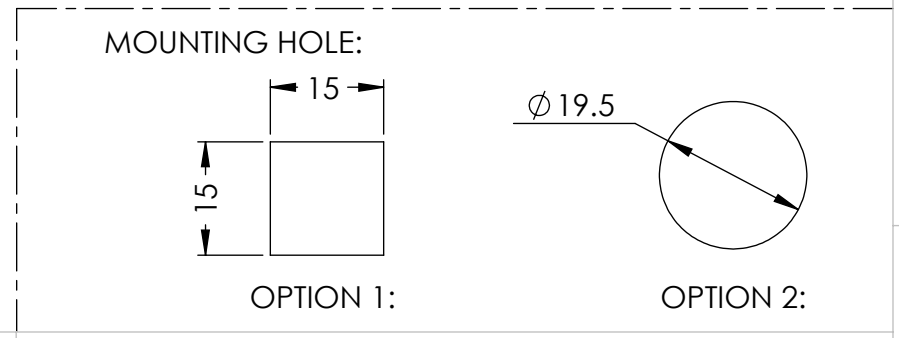
- WIFI applications
- Navigation and telematics systems
- IoT applications
- Automotive connectivity
- Multimedia
- Fleet management
- HD video and audio streaming



DRAWING REVISION HISTORY			
REV	DESCRIPTION	DATE	BY
A	INITIAL RELEASE	2021-12-15	JET



- NOTES:
- FREQUENCY: (2.4/5.0 GHz) 2410-2490 MHz, 4920-5925 MHz
 - DIMENSIONS ARE AFTER MOUNTING
 - CUSTOMIZABLE CABLE AND CONNECTOR TYPE
 - MOUNTING TYPE: SCREW MOUNT
 - MAX MOUNTING THICKNESS: 12MM
 - MATERIALS:
 - RADOME: ASA
 - RADOME COLOR: BLACK or WHITE
 - ANTENNA BASE: ZAMAK
 - GASKET: TPE
 - OPERATING TEMPERATURE: -40°C ~ +85°C
 - STORAGE TEMPERATURE: -40°C ~ +85°C
 - CERTIFICATES: IP67, IK09, IP69K



MOUNTING OPTION 1

100-00196 CONFIGURATION TABLE				
DASH NO	CABLE TYPE	CABLE LENGHT	CONNECTOR TYPE	RADOME COLOR
-01	LL195	200 CM	SMA-MALE-RP GOLD	BLACK

ITEM 100-00196 REVISION HISTORY			
REV	DESCRIPTION	DATE	BY
A	INITIAL RELEASE	2021-12-15	JET

UNLESS OTHERWISE SPECIFIED:

DIMENSIONS ARE IN MM
TOLERANCES:
FRACTIONAL: ±
ANGULAR: MACH ± .5° BEND ±
ONE PLACE DECIMAL ± 1.0
TWO PLACE DECIMAL ± .50

INTERPRET GEOMETRIC TOLERANCING PER:

THIRD ANGLE PROJECTION

DO NOT SCALE DRAWING

	NAME	DATE
DRAWN	JET	2021-12-15
CHECKED	ZX	2021-12-15
ENG APPR.	NPC	2021-12-15
MFG APPR.		
Q.A.		

CAD MAINTAINED. CHANGES SHALL BE INCORPORATED BY THE DESIGN ACTIVITY.

MAXTENA, INC

TITLE: 100-00196 MEA-2410-ISM

SIZE B DWG. NO. 117-00492-01 REV A

CAGE CODE: 5KQH7 SCALE: NONE SHEET 1 OF 1

PROPRIETARY AND CONFIDENTIAL
THE INFORMATION CONTAINED IN THIS DRAWING IS THE SOLE PROPERTY OF MAXTENA, INC. ANY REPRODUCTION IN PART OR AS A WHOLE WITHOUT THE WRITTEN PERMISSION OF MAXTENA, INC IS PROHIBITED.