



MEA-1600-AM

IRIDIUM/GPS MAGNETIC/ADHESIVE MOUNT ANTENNA

Part #: 100-00237-01

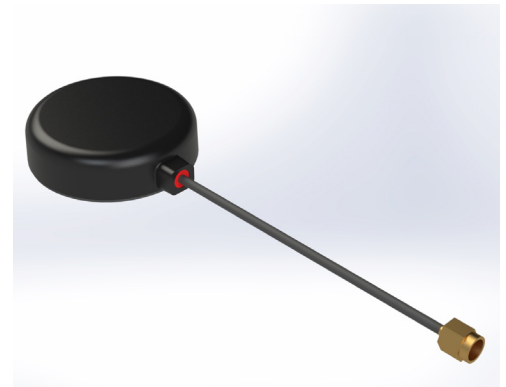
Description

The MEA-1600-AM adhesive magnet Antenna is a 2-in-1 solution, with high gain and efficiency ideal for maintaining constant global connectivity via Iridium. The MEA-1600-AM covers GPS and Iridium frequencies. This is an ideal antenna for Iridium SBD, navigation and telematics systems, IoT applications and remote connectivity. This adhesive mount antenna is easy to install with maximum durability.

The MEA-1600-AM has one cable with a SMA-Male standard connector, 2m standard cable length and is fully customizable by offering additional connector types, cable lengths and cable types. This antenna is low profile, rugged and ground plane independent. It is compatible with any Iridium SBD transceiver.

Electrical Specifications

Parameter	Specification	
Standards	GPS/QZSS/Galileo	Iridium
Band (MHz)	1575	1621
Frequency (MHz)	1575.42	1616-1627
Return Loss (dB)	~ -12.9	~ -15.8
VSWR	~ 1.6:1	~ 1.5:1
Efficiency (%)	~ 66.6	~ 65.9
Peak Gain (dBi)	~ 2.5	~ 2.6
Average Gain (dB)	~ -1.8	~ -1.8
Impedance Ω	50	
Radiation Pattern	Hemispherical	
Polarization	RHCP	
Connector Type	SMA-Male standard (other connectors available)	
Cable Length	200 cm standard (any cable length available)	
Cable Type	D302 standard (other cables available)	



Features

- GPS/QZSS/Galileo and Iridium frequency coverage
- Easy mounting: magnetic/adhesive mount
- Low profile
- Customizable cable and connector
- Low profile \varnothing 54 x 14.7 mm
- IP67
- IP69

Applications

- Iridium SBD
- Satellite IoT applications
- Telematic
- Navigation
- Satellite communications
- Remote surveillance
- Monitoring

Antenna Measurement Conditions

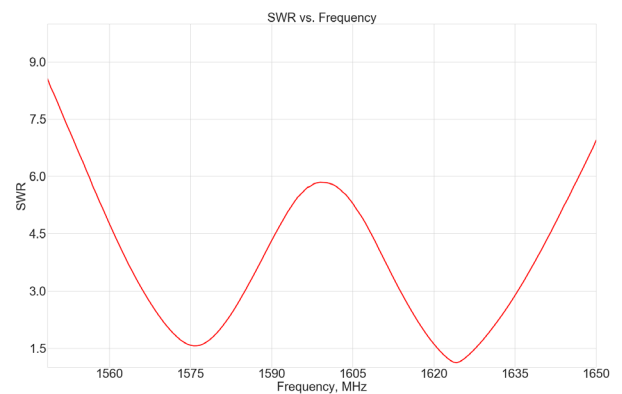
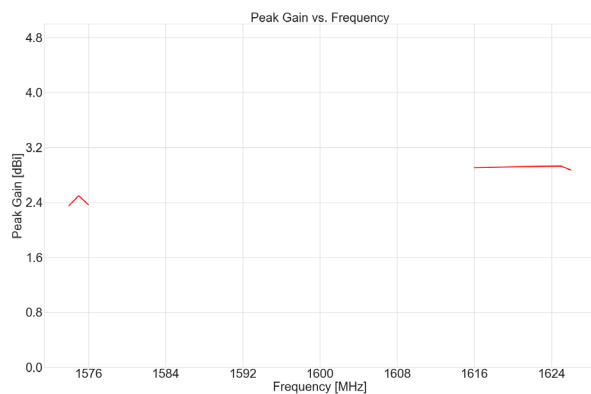
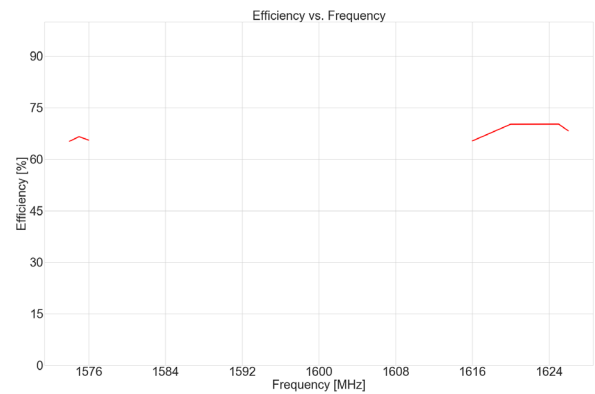
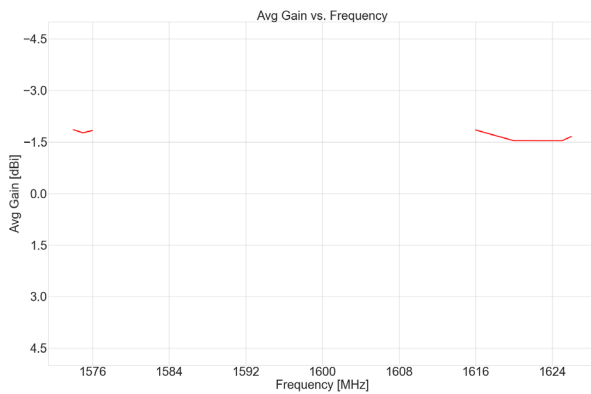
Mounted on metal plate of 30 x 30 cm
Measured in certified CTIA 3D anaechoic chamber

Mechanical and Environmental Specifications

Parameter	Specification
Mounting Type	Magnetic/Adhesive Mount
Dimensions (mm)	Ø 54 x 14.7
Weight (g)	105
Radome Type	PC + ASA
Radome Color	Black
Operating Temperature (C)	-40 to +85°
Storage Temperature (C)	-40 to +85°
Substance Compliance	RoHS
Certificates	IP67, IP69, Iridium Certified

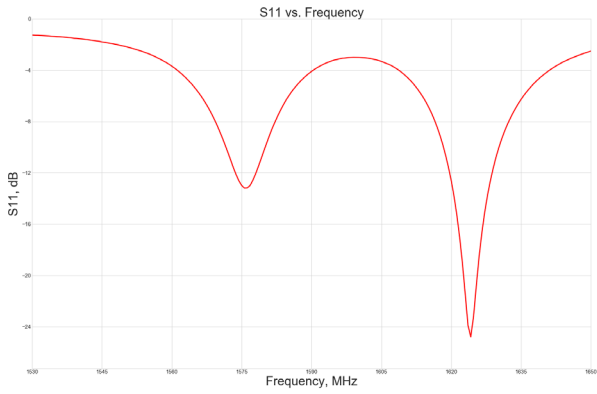
Radiation Performance

MEA-1600-AM

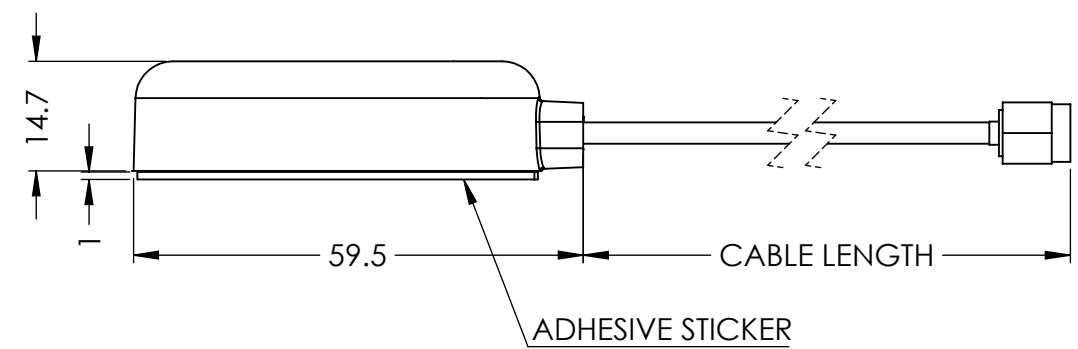
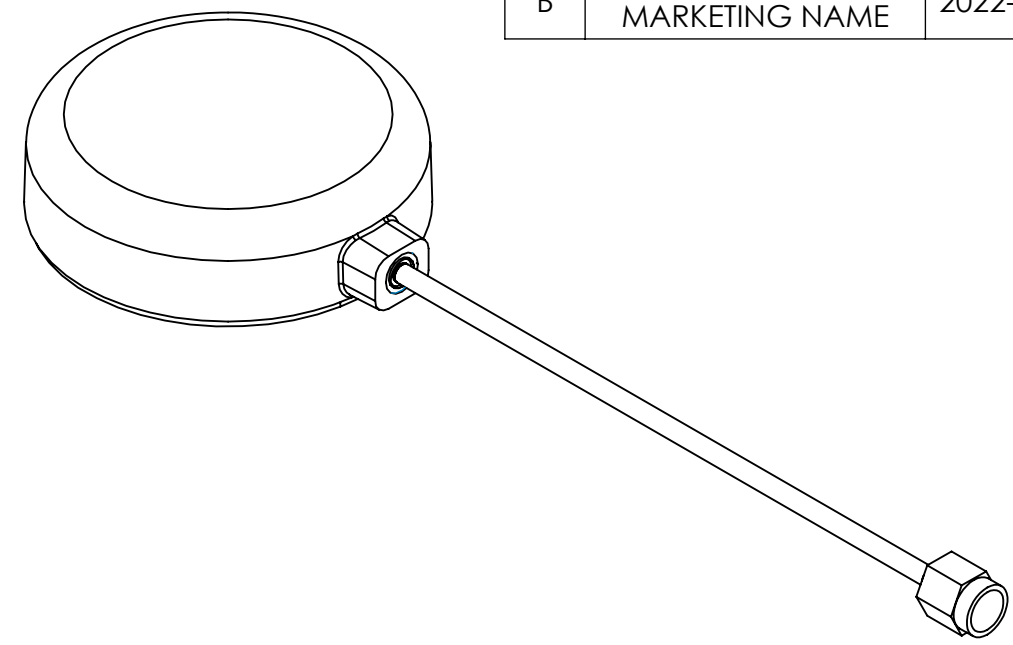
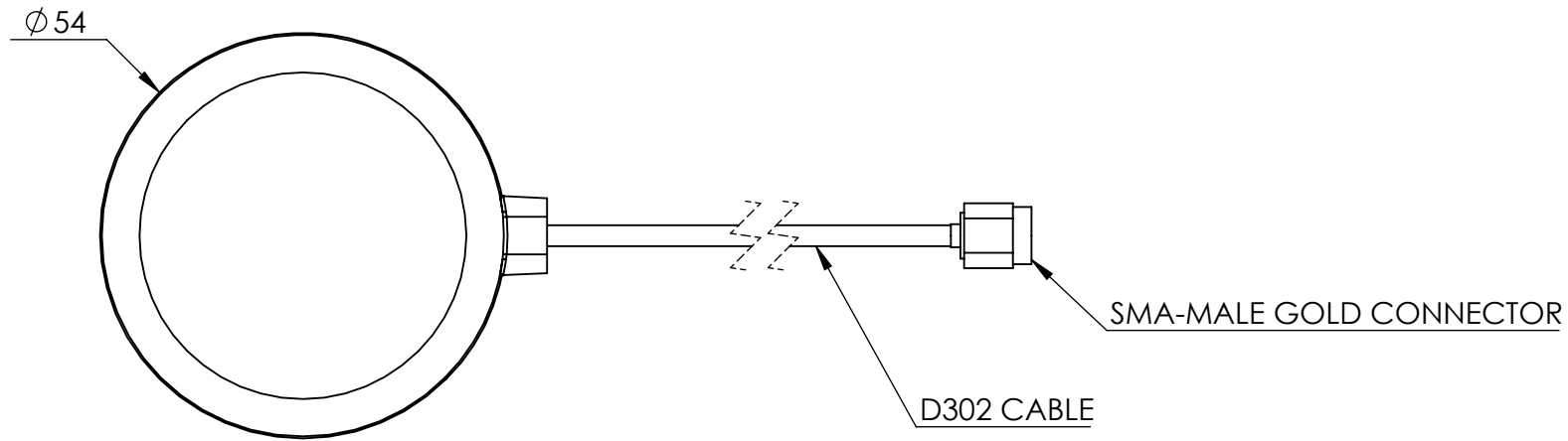


Radiation Performance

MEA-1600-AM



DRAWING REVISION HISTORY			
REV	DESCRIPTION	DATE	BY
A	INITIAL RELEASE	2022-01-28	JET
B	CHANGED MARKETING NAME	2022-05-27	SZ



- NOTES:
1. FREQUENCY (GNSS and IRIDIUM): 1575.42 MHz, 1616-1627 MHz
 2. DIMENSIONS ARE AFTER MOUNTING
 3. CUSTOMIZABLE CABLE AND CONNECTOR TYPE
 4. MOUNTING TYPE: MAGNETIC/ADHESIVE MOUNT
 5. MATERIALS:
 - RADOME: PC+ASA
 - RADOME COLOR: BLACK
 7. OPERATING TEMPERATURE: -40° C ~ +85° C
 8. STORAGE TEMPERATURE: -40° C ~ +85° C
 9. CERTIFICATION: IP67, IP69, IRIDIUM CERTIFIED

ITEM 100-00237 REVISION HISTORY			
REV	DESCRIPTION	DATE	BY
A	INITIAL RELEASE	2022-01-28	JET

100-00237 CONFIGURATION TABLE				
DASH NO	CABLE TYPE	CABLE LENGTH	CONNECTOR TYPE	RADOME COLOR
-01	D302	200 CM	SMA-MALE GOLD	BLACK

UNLESS OTHERWISE SPECIFIED:
 DIMENSIONS ARE IN MM
 TOLERANCES:
 FRACTIONAL: ±
 ANGULAR: MACH ± .5° BEND ±
 ONE PLACE DECIMAL ± 1.0
 TWO PLACE DECIMAL ± .50

INTERPRET GEOMETRIC TOLERANCING PER:

THIRD ANGLE PROJECTION
DO NOT SCALE DRAWING

	NAME	DATE
DRAWN	JET	2022-01-28
CHECKED	ZX	2022-01-28
ENG APPR.	NPC	2022-01-28
MFG APPR.		
Q.A.		

CAD MAINTAINED. CHANGES SHALL BE INCORPORATED BY THE DESIGN ACTIVITY.

MAXTENA, INC

TITLE: 100-00237 MEA-1600-AM

SIZE: B DWG. NO. 117-00573-01 REV B

CAGE CODE: 5KQH7 SCALE: NONE SHEET 1 OF 1

Mouser Electronics

Authorized Distributor

Click to View Pricing, Inventory, Delivery & Lifecycle Information:

[Maxtena:](#)

[MEA-1600-AM](#)