



MEA-5G NR-UWB-AM

5G NR ADHESIVE MOUNT ANTENNA

Part #: 100-00253-01



Description

The MEA-5G NR-UWB-AM adhesive mount antenna is a 5G NR antenna solution, with high gain and efficiency ideal for maintaining constant mobile connectivity. The MEA-5G NR-UWB-AM covers all 5G, 4G, 3G and 2G frequencies. This is an ideal antenna for telematics systems, remote surveillance, asset tracking and any IOT system applications. The high performance make this antenna ideal for the most challenging installations. This adhesive mount antenna is easy to install with maximum durability. The MEA-5G NR-UWB-AM has one cable with a SMA-Male standard connector, 2m standard cable length and is fully customizable by offering additional connector types, cable lengths and cable types.

Electrical Specifications

Parameter	Specification			
Technologies	5G, 4G, 3G and 2G			
Standards	5G NR/4GLTE/FirstNet/UCBRS/LPWA/CAT-X/CAT-Mx/CAT-NBx/NB-IoT/3G/2G			
Frequency (MHz)	617-960	1427-2690	3300-5000	5150-5925
Return Loss (dB)	~ -8.5	~ -10.9	~ -135	~ -11.7
VSWR	~ 2.9:1	~ 2.0:1	~ 1.7:1	~ 1.9:1
Efficiency (%)	~ 58.6	~ 58.5	~ 40.3	~ 30.0
Peak Gain (dBi)	~ 2.0	~ 2.4	~ 4.6	~ 5.8
Average Gain (dB)	~ -3.4	~ -3.4	~ -4.1	~ -5.3
Impedance Ω	50			
Radiation Pattern	Omni-Directional			
Polarization	Linear			
Max. Input Power (W)	25			
Connector Type	SMA-Male standard (other connectors available)			
Cable Length	200 cm standard (any cable length available)			
Cable Type	LL100 standard (other cables available)			

Features

- 5G NR – frequency range
- Easy mounting: adhesive mount
- Ultra-wide band antenna
- Flexible housing
- Low profile : 117.4 × 12.5 × 6.5 mm
- High performance
- Ground plane independent
- Customizable cable and connector

Applications

- Asset tracking
- Telematics
- Container & logistics
- Automotive
- Industrial applications
- IOT applications

Antenna Measurement Conditions

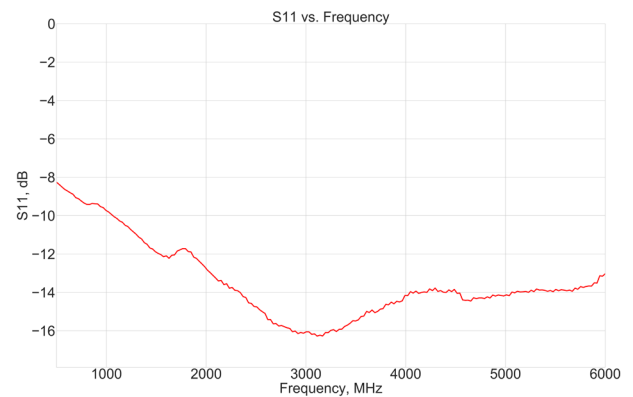
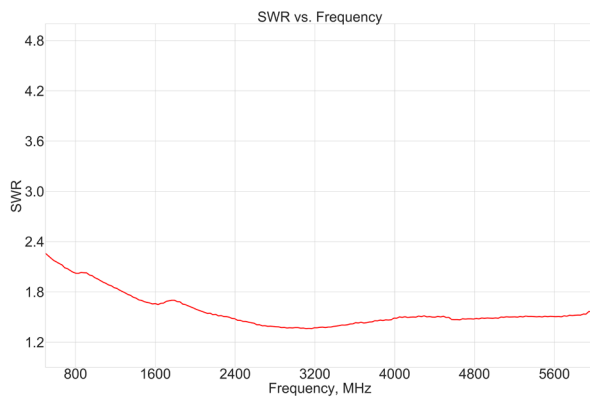
Mounted on 30 x 30 x 0.25 cm ABS plate
 100 cm of LL100 cable
 Measured in certified CTIA 3D anechoic chamber

Mechanical and Environmental Specifications

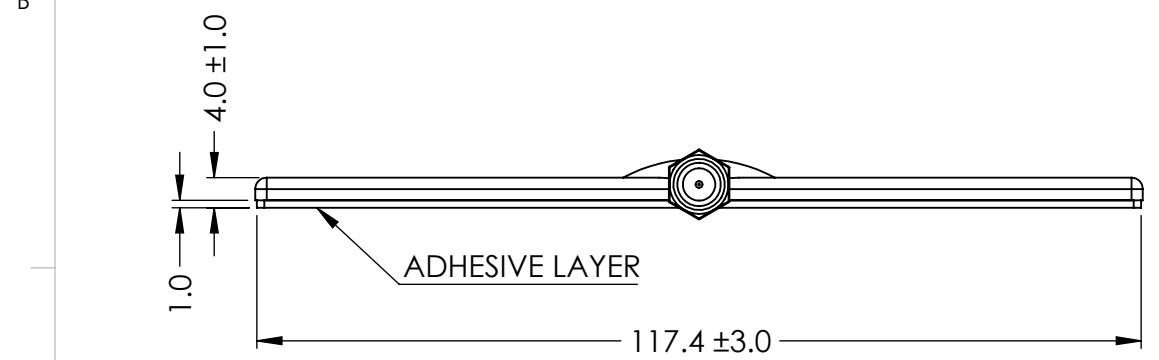
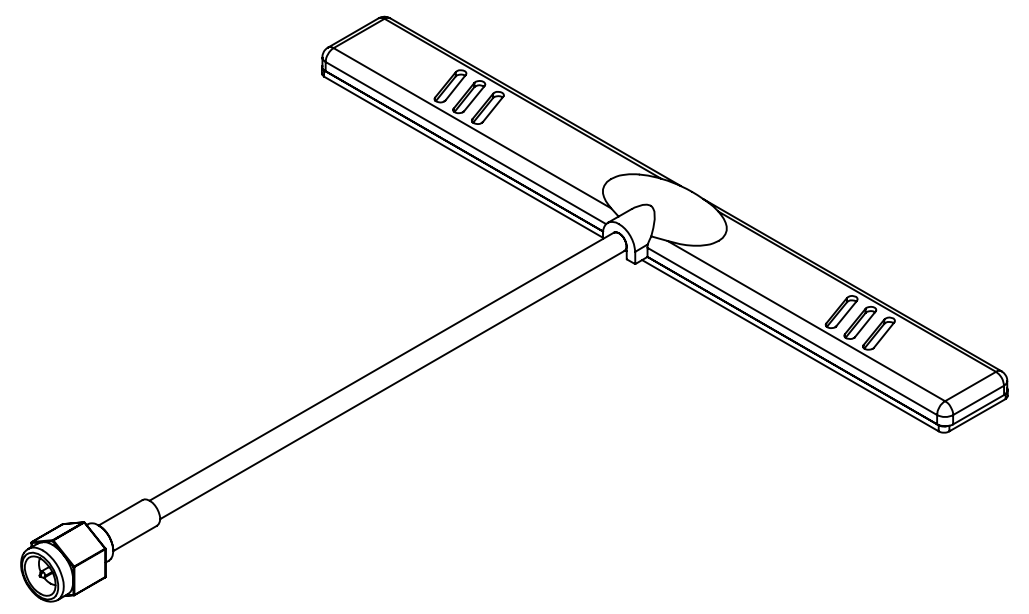
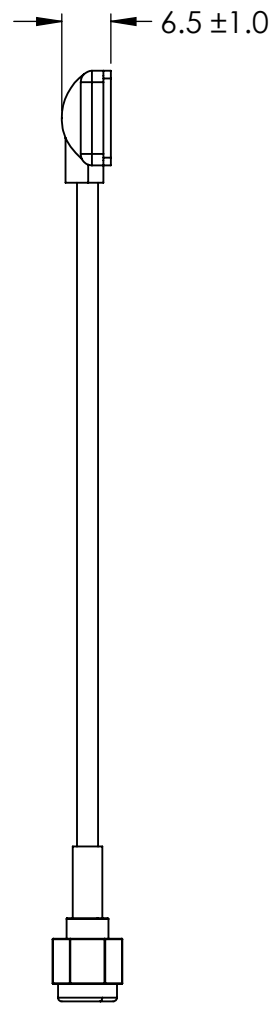
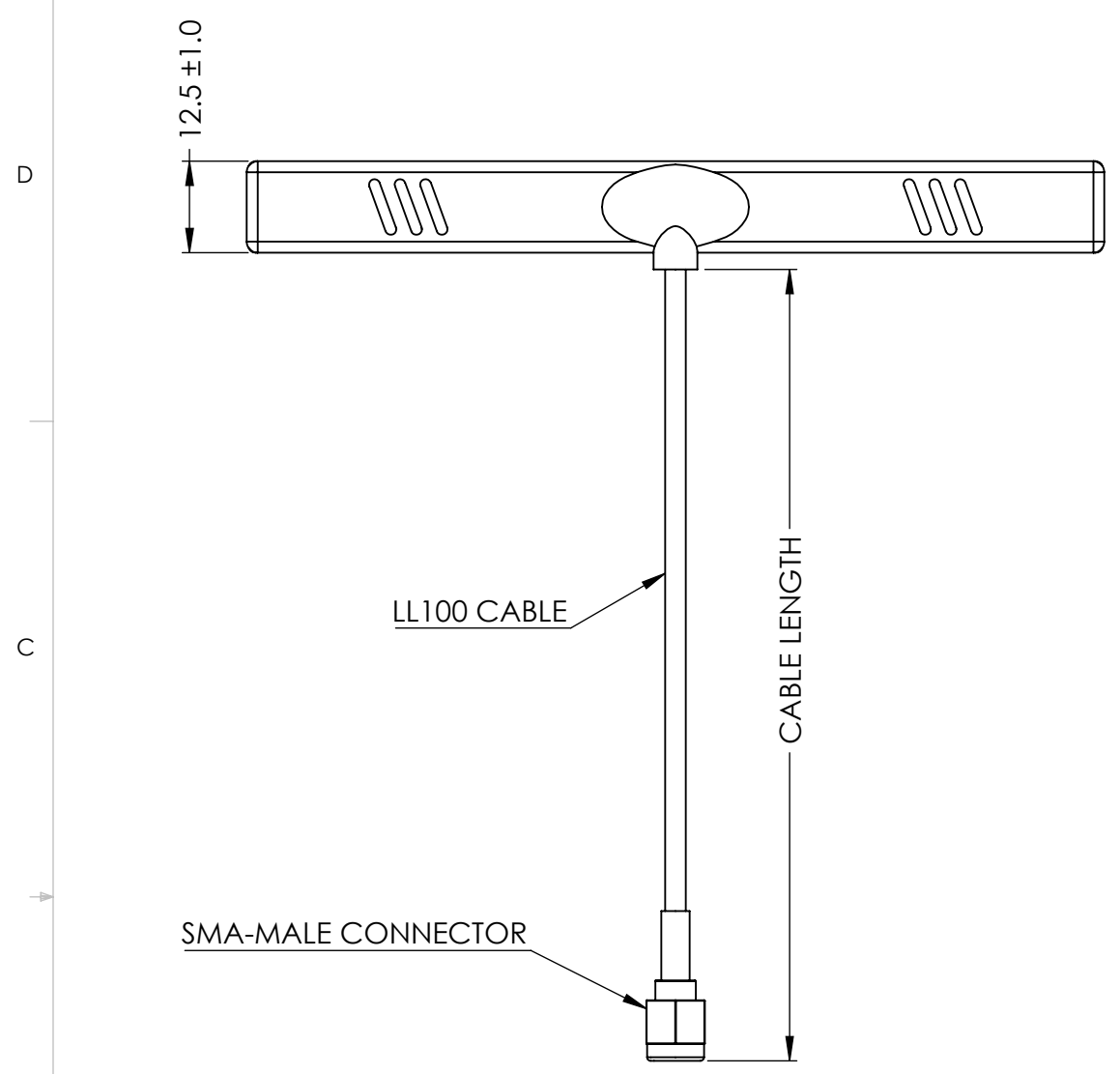
Parameter	Specification
Mounting Type	Adhesive Mount
Dimensions (mm)	117.4 x 12.5 x 6.5
Weight (g)	33
Radome Type	PC/ABS UV Stable
Radome Color	Black
Operating Temperature (C)	-40 to +85°
Storage Temperature (C)	-40 to +85°
Substance Compliance	RoHS

Radiation Performance

MEA-5GNR-UWB-AM



DRAWING REVISION HISTORY			
REV	DESCRIPTION	DATE	BY
A	INITIAL RELEASE	2022-02-18	JET



NOTES:

- FREQUENCY (5G, 4G, 3G, 2G): 617-960 MHz, 1427-2690 MHz, 3300-5000 MHz, 5150-5925 MHz
- DIMENSIONS ARE AFTER MOUNTING
- CUSTOMIZABLE CABLE AND CONNECTOR TYPE
- MOUNTING TYPE: ADHESIVE MOUNT
- MATERIALS:
 - RADOME: PC/ABS UV STABLE
 - RADOME COLOR: BLACK
- OPERATING TEMPERATURE: -40° C ~ +85° C
- STORAGE TEMPERATURE: -40° C ~ +85° C

ITEM 100-00253 REVISION HISTORY			
REV	DESCRIPTION	DATE	BY
A	INITIAL RELEASE	2022-02-18	JET

100-00253 CONFIGURATION TABLE				
DASH NO	CABLE TYPE	CABLE LENGTH	CONNECTOR TYPE	RADOME COLOR
-01	LL100	200 CM	SMA-MALE GOLD	BLACK

UNLESS OTHERWISE SPECIFIED:	NAME	DATE
DIMENSIONS ARE IN MM	DRAWN	JET 2022-02-18
TOLERANCES:	CHECKED	ZX 2022-02-18
FRACTIONAL ±	ENG APPR.	NPC 2022-02-18
ANGULAR: MACH ± .5° BEND ±	MFG APPR.	
ONE PLACE DECIMAL ± 1.0	Q.A.	
TWO PLACE DECIMAL ± .50		
INTERPRET GEOMETRIC TOLERANCING PER:	CAD MAINTAINED. CHANGES SHALL BE INCORPORATED BY THE DESIGN ACTIVITY.	
	DO NOT SCALE DRAWING	

MAXTENA, INC		
TITLE: 100-00253 MEA-5G NR-UWB-AM		
SIZE B	DWG. NO. 117-00592-01	REV A
CAGE CODE: 5KQH7	SCALE: NONE	SHEET 1 OF 1

PROPRIETARY AND CONFIDENTIAL
THE INFORMATION CONTAINED IN THIS DRAWING IS THE SOLE PROPERTY OF MAXTENA, INC. ANY REPRODUCTION IN PART OR AS A WHOLE WITHOUT THE WRITTEN PERMISSION OF MAXTENA, INC IS PROHIBITED.