



MEA-GGB-CM

GNSS CONNECTOR MOUNT ANTENNA

Part #: 100-00245-01

Description

The MEA-GGB-CM is a multi-frequency, high accuracy, GNSS antenna for the GPS & GLONASS L1 and L2 bands. The antenna's excellent radiation pattern, exceptional out-of-band rejection, and low noise figure ensures optimal performance of GNSS systems. Our low profile connector mount is ideal for robotics, rail, UAV, industrial and IOT applications. This antenna offers a ultra-low profile design with easy mounting.

Electrical Specifications

| Parameter | Specification | | |
|------------------------|------------------|----------------------|-----------|
| Standards | BeiDou | GPS/QZSS/ Galileo | GLONASS |
| Frequency (MHz) | 1561.098 | 1575.42 | 1598-1606 |
| Return Loss (dB) | ~ -17.2 | ~ -16.0 | ~ -15.9 |
| VSWR | ~ 1.3:1 | ~ 1.3:1 | ~ 1.3:1 |
| Efficiency (%) | ~ 70 | ~ 70 | ~ 69 |
| Peak Gain (dBi) | ~ 2.9 | ~ 2.8 | ~ 2.9 |
| Average Gain (dB) | ~ -1.5 | ~ -1.6 | ~ -1.6 |
| Impedance (Ω) | 50 | | |
| Polarization | Linear | | |
| Radiation Pattern | Omin-Directional | | |
| Max Input Power (W) | 25 | | |
| Connector Type | SMA male | | |

Mechanical and Environmental Specifications

| Parameter | Specification |
|---------------------------|-----------------------|
| Mounting Type | Connector Mount |
| Dimensions (mm) | \varnothing 10 x 71 |
| Radome Type | POM |
| Radome Color | Black |
| Operating Temperature (C) | -40 to +85° |
| Storage Temperature (C) | -40 to +85° |
| Substance Compliance | RoHS |



Features

- GPS/GLONASS/BeiDou/QZSS/Galileo frequency coverage
- Easy mounting:
- Connector mount low profile
- High efficiency
- Low profile \varnothing 10 x 71 mm

Applications

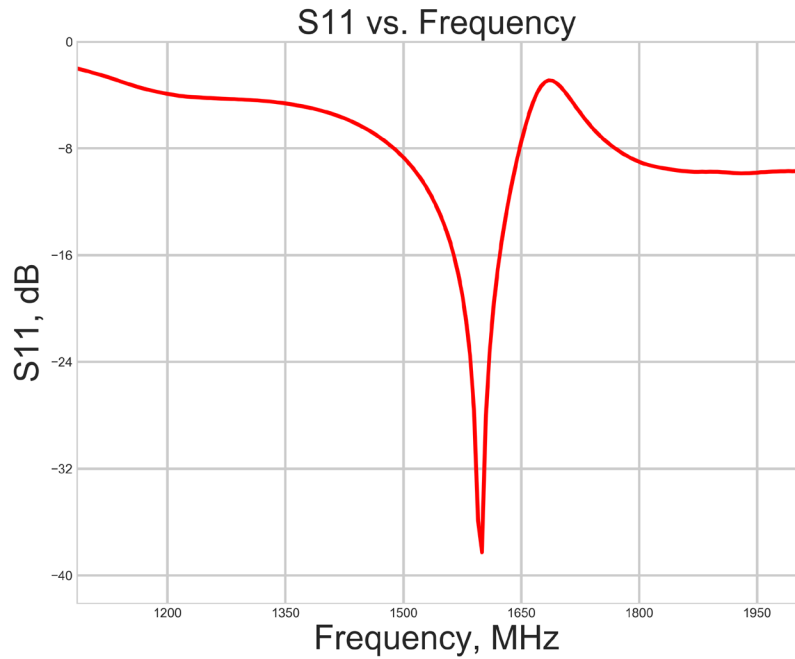
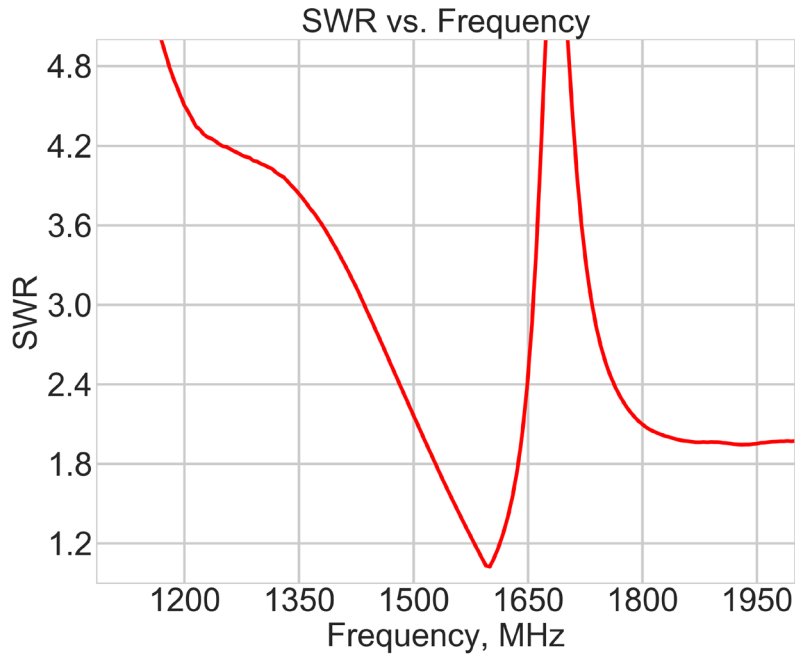
- Vehicle and fleet tracking
- Military & security
- Asset tracking
- Embedded applications
- Navigation devices
- Oil & gas industries
- Mining equipment
- LBS & M2M applications
- Law enforcement

Antenna Measurement Conditions:

Mounted on ground plane of 83 x 40 cm
Measured in certified CTIA 3D anechoic chamber

Radiation Performance

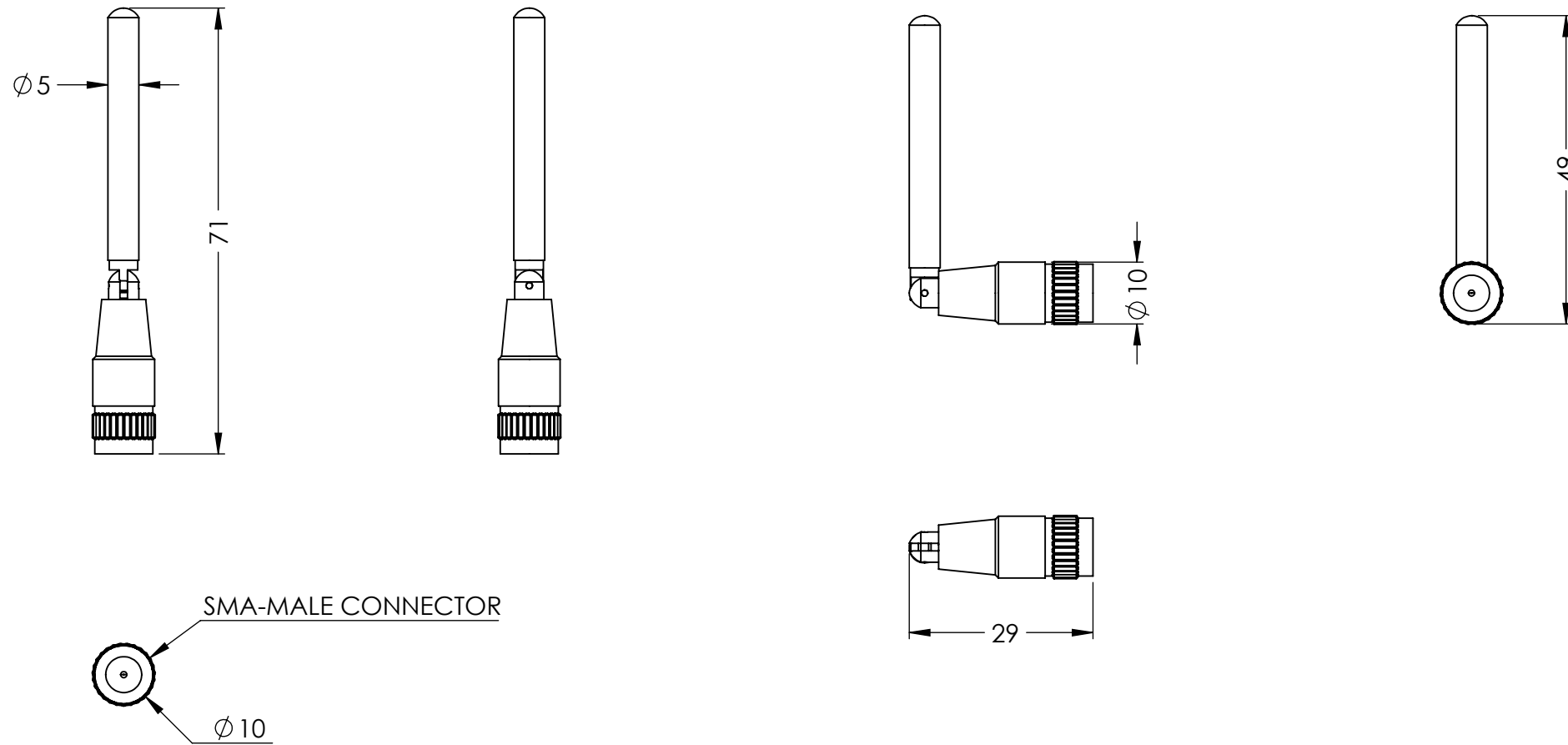
MEA-GGB-CM



NOTES:

1. FREQUENCY (GPS/GLONASS/BeiDou/QZSS/Galileo): 1561.098 MHz, 1575.42 MHz, 1598-1606 MHz
2. DIMENSIONS ARE AFTER MOUNTING
3. MOUNTING TYPE: CONNECTOR MOUNT
4. MATERIALS:
 - RADOME: POM
 - RADOME COLOR: BLACK
5. OPERATING TEMPERATURE: -40° C ~ +85° C
6. STORAGE TEMPERATURE: -40° C ~ +85° C

| DRAWING REVISION HISTORY | | | |
|--------------------------|-----------------|------------|-----|
| REV | DESCRIPTION | DATE | BY |
| A | INITIAL RELEASE | 2022-01-28 | JET |



| ITEM 100-00245 REVISION HISTORY | | | |
|---------------------------------|-----------------|------------|-----|
| REV | DESCRIPTION | DATE | BY |
| A | INITIAL RELEASE | 2022-01-28 | JET |

| 100-00245 CONFIGURATION TABLE | | |
|-------------------------------|----------------|--------------|
| DASH NO | CONNECTOR TYPE | RADOME COLOR |
| -01 | SMA-MALE | BLACK |

| | | |
|--------------------------------------|---|----------------|
| UNLESS OTHERWISE SPECIFIED: | NAME | DATE |
| DIMENSIONS ARE IN MM | DRAWN | JET 2022-01-28 |
| TOLERANCES: | CHECKED | ZX 2022-01-28 |
| FRACTIONAL ± | ENG APPR. | NPC 2022-01-28 |
| ANGULAR: MACH ± .5° BEND ± | MFG APPR. | |
| ONE PLACE DECIMAL ± 1.0 | Q.A. | |
| TWO PLACE DECIMAL ± .50 | | |
| INTERPRET GEOMETRIC TOLERANCING PER: | CAD MAINTAINED. CHANGES SHALL BE INCORPORATED BY THE DESIGN ACTIVITY. | |
| | DO NOT SCALE DRAWING | |

| | | |
|-----------------------------|--------------|--------------|
| MAXTENA, INC | | |
| TITLE: 100-00245 MEA-GGB-CM | | |
| SIZE | DWG. NO. | REV |
| B | 117-00581-01 | A |
| CAGE CODE: 5KQH7 | SCALE: NONE | SHEET 1 OF 1 |

PROPRIETARY AND CONFIDENTIAL
THE INFORMATION CONTAINED IN THIS DRAWING IS THE SOLE PROPERTY OF MAXTENA, INC. ANY REPRODUCTION IN PART OR AS A WHOLE WITHOUT THE WRITTEN PERMISSION OF MAXTENA, INC IS PROHIBITED.

Mouser Electronics

Authorized Distributor

Click to View Pricing, Inventory, Delivery & Lifecycle Information:

[Maxtena:](#)

[MEA-GGB-CM](#)