



MEA-5G NR-LP-WM

5G NR antenna Wall Mount
Part #: 100-00231-01

Description

The MEA-5G NR-LP-WM Wall Mount Antenna is a 5G NR antenna solution, with high gain and efficiency ideal for maintaining constant mobile connectivity. The MEA-5G NR-LP-WM covers all 5G, 4G, 3G and 2G frequencies. This is an ideal antenna for telematics systems, remote surveillance, asset tracking and any IOT system applications. The high performance make this antenna ideal for the most challenging installations. This wall mount antenna is easy to install with maximum durability. The MEA-5G NR-LP-WM has one cable with a SMA-Male standard connector, 1m standard cable length and is fully customizable by offering additional connector types, cable lengths and cable types.



Electrical Specification

| Parameter | Specification | |
|-------------------|----------------------------------|--|
| Center Frequency | 617-960 MHz | 1427-2690 MHz |
| Band | 600, 700, 850, 900 MHz | 1500, 1600, 1700, 1800, 1900, 2000, 2100, 2300, 2500, 2600 MHz |
| Return Loss | -8.3 dB | -13.0 dB |
| VSWR | 2.4:1 | 1.8:1 |
| Efficiency | 66.6% | 62.6% |
| Peak Gain | 3.9 dBi | 4.0 dBi |
| Average Gain | -1.8 dB | -2.1 dB |
| Center Frequency | 3300-5000 MHz | 5150-5925 MHz |
| Band | 3300, 3500, 3600, 3700, 4500 MHz | 5200, 5500, 5800 MHz |
| Return Loss | -14.1 dB | -11.9 dB |
| VSWR | 1.7:1 | 1.9:1 |
| Efficiency | 40.6% | 32.4% |
| Peak Gain | 3.9 dBi | 3.9 dBi |
| Average Gain | -4.1 dB | -4.9 dB |
| Impedance | 50 Ω | |
| Polarization | Linear | |
| Radiation Pattern | Omni-Directional | |
| Max. Input Power | 35 W | |

Features

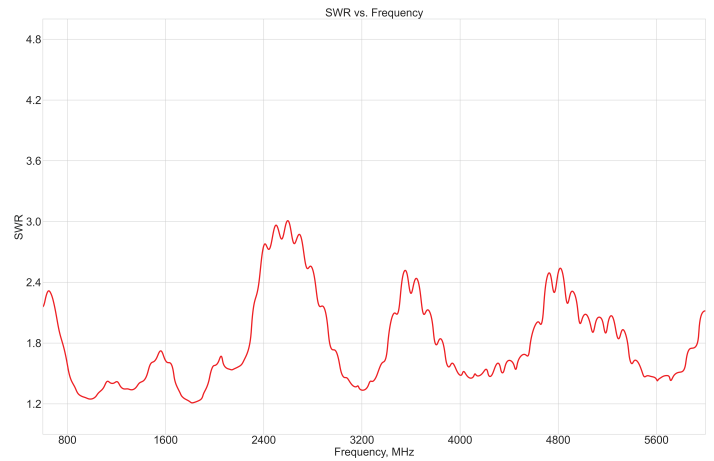
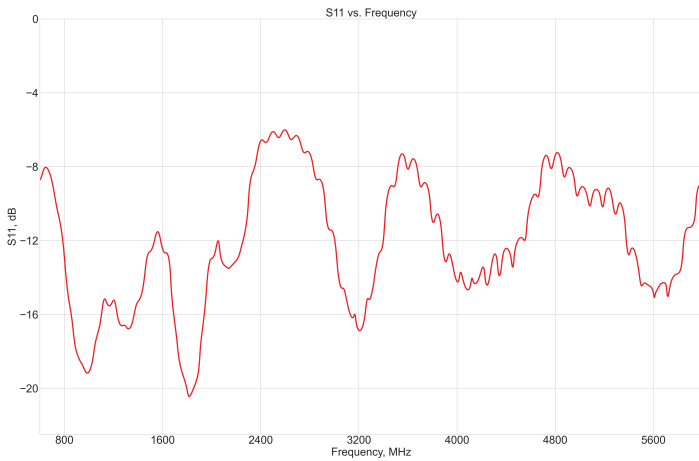
- 5G NR Frequency Range
- Wall Mount
- High Performance
- 4.0 dBi 5G NR Peak Gain
- Ground Plane Independent
- Customized Cable and Connector
- Antenna Bracket Included
- 272 × 30 × 115 (220 × Ø 16) mm
- IP67

Applications

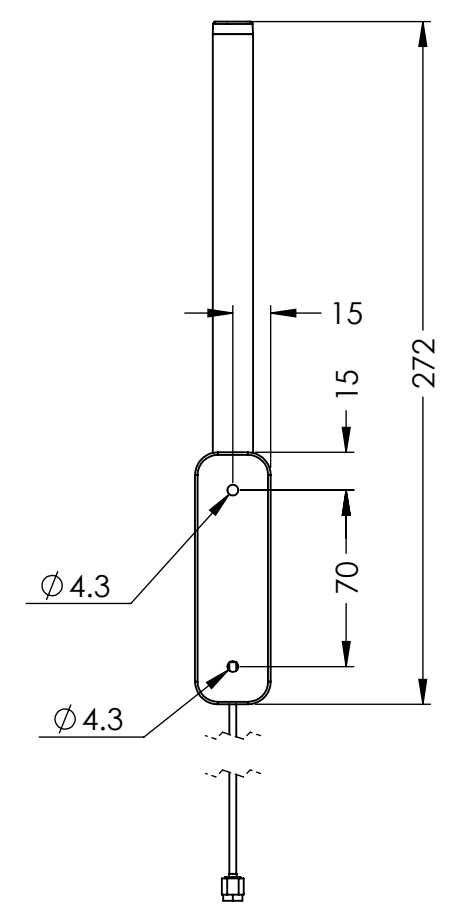
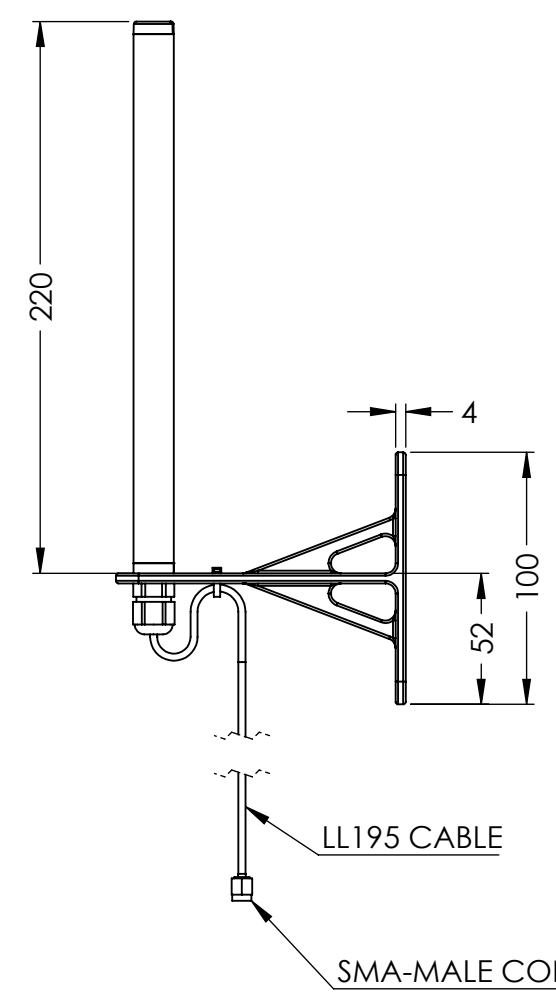
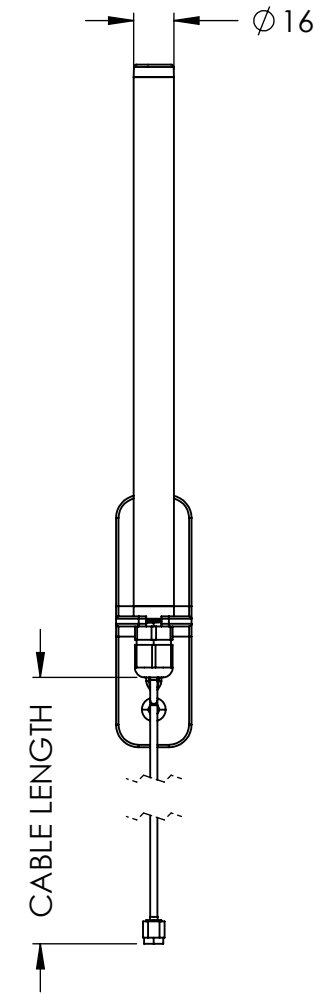
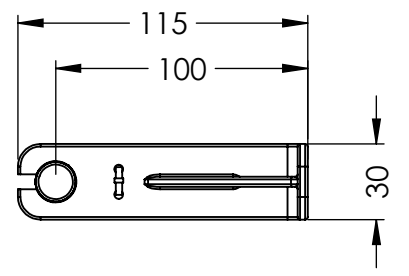
- Asset Tracking
- Telematics
- Container & Logistics
- Automotive
- Industrial Applications
- IOT Applications
- Data terminals
- Smart devices
- ATM machines

Mechanical Specification

| Parameter | Specification |
|-----------------------|--------------------------------|
| Antenna Dimensions | 272 × 30 × 115 (220 × Ø 16) mm |
| Operating Temperature | -40°C to + 85°C |
| Mounting Type | Wall Mount |
| Connector | SMA-Male |
| Cable | LL195 |
| Radome | ASA / Black |
| Antenna Base | Brass |
| Substance Compliance | RoHS |
| Certificates | IP67 |



| DRAWING REVISION HISTORY | | | |
|--------------------------|-----------------|------------|-----|
| REV | DESCRIPTION | DATE | BY |
| A | INITIAL RELEASE | 2022-01-14 | JET |



- NOTES:
1. FREQUENCY: 617-960 MHz, 1427-2690 MHz, 3300-5000 MHz, 5150-5925 MHz
 2. DIMENSIONS ARE AFTER MOUNTING
 3. CUSTOMIZABLE CABLE AND CONNECTOR TYPE
 4. MOUNTING TYPE: WALL MOUNT
 5. MATERIALS:
 - RADOME: ASA
 - RADOME COLOR: BLACK
 - ANTENNA BASE: BRASS
 - BRACKET: ASA
 7. OPERATING TEMPERATURE: -40° C ~ +85° C
 8. STORAGE TEMPERATURE: -40° C ~ +85° C
 9. CERTIFICATION: IP67

| ITEM 100-00231 REVISION HISTORY | | | |
|---------------------------------|-----------------|------------|-----|
| REV | DESCRIPTION | DATE | BY |
| A | INITIAL RELEASE | 2022-01-14 | JET |

| 100-00231 CONFIGURATION TABLE | | | | |
|-------------------------------|------------|--------------|----------------|--------------|
| DASH NO | CABLE TYPE | CABLE LENGTH | CONNECTOR TYPE | RADOME COLOR |
| -01 | LL195 | 100 CM | SMA-MALE-GOLD | BLACK |

UNLESS OTHERWISE SPECIFIED:
 DIMENSIONS ARE IN MM
 TOLERANCES:
 FRACTIONAL ±
 ANGULAR: MACH ± .5° BEND ±
 ONE PLACE DECIMAL ± 1.0
 TWO PLACE DECIMAL ± .50

INTERPRET GEOMETRIC TOLERANCING PER:

THIRD ANGLE PROJECTION
DO NOT SCALE DRAWING

| | NAME | DATE |
|-----------|------|------------|
| DRAWN | JET | 2022-01-14 |
| CHECKED | ZX | 2022-01-14 |
| ENG APPR. | NPC | 2022-01-14 |
| MFG APPR. | | |
| Q.A. | | |

CAD MAINTAINED. CHANGES SHALL BE INCORPORATED BY THE DESIGN ACTIVITY.

MAXTENA, INC

TITLE: 100-00231 MEA-5G NR-LP-WM

SIZE B DWG. NO. 117-00566-01 REV A

CAGE CODE: 5KQH7 SCALE: NONE SHEET 1 OF 1

Mouser Electronics

Authorized Distributor

Click to View Pricing, Inventory, Delivery & Lifecycle Information:

[Maxtena:](#)

[MEA-5G NR-LP-WM](#)