



# MEAX-5000-AM

5G NR Antenna Adhesive Mount  
Part #: 100-00228-01

## Description

The MEA-5000-AM adhesive Mount Antenna is a 5G NR antenna solution, with high gain and efficiency ideal for maintaining constant mobile connectivity. The MEA-5000-AM covers all 5G, 4G, 3G and 2G frequencies. This is an ideal antenna for telematics systems, remote surveillance, asset tracking and any IOT system applications. The high performance make this antenna ideal for the most challenging installations. This adhesive mount antenna is easy to install with maximum durability. The MEA-5000-AM has one cable with a SMA-Male standard connector, 3m standard cable length and is fully customizable by offering additional connector types, cable lengths and cable types.

## Electrical Specification

Parameter	Specification	
Center Frequency	617-960 MHz	1427-2690 MHz
Band	600, 700, 850, 900 MHz	1500, 1600, 1700, 1800, 1900, 2000, 2100, 2300, 2500, 2600 MHz
Return Loss	-15.3 dB	-12.8 dB
VSWR	1.5:1	1.7:1
Efficiency	60.1%	45.8%
Peak Gain	3.2 dBi	3.6 dBi
Average Gain	-2.2 dB	-3.4 dB
Center Frequency	3300-5000 MHz	5150-5925 MHz
Band	3300, 3500, 3600, 3700, 4500 MHz	5200, 5500, 5800 MHz
Return Loss	-12.1 dB	-15.6 dB
VSWR	1.8:1	1.5:1
Efficiency	24.5%	24.5%
Peak Gain	1.0 dBi	1.6 dBi
Average Gain	-6.2 dB	-6.1 dB
Impedance	50 Ω	
Polarization	Linear	
Radiation Pattern	Omni-Directional	
Max. Input Power	35 W	



## Features

- 5G NR (617-960 MHz, 1427-2690 MHz, 3300-5000 MHz, and 5150-5925 MHz)
- Easy mounting: Adhesive Mount
- Ground Plane Independent
- Customizable Cable and Connector
- Low profile: 116 × 22 × 6.7 mm

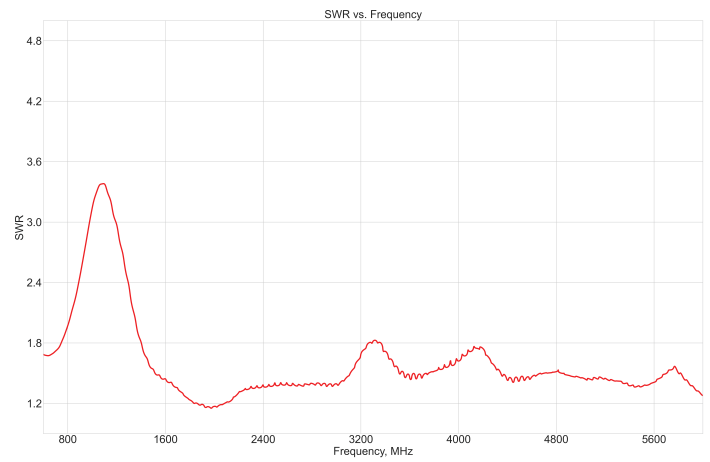
## Applications

- Asset Tracking
- Telematics
- Container & Logistics
- Automotive
- Industrial Applications
- IOT Applications

## Mechanical Specification

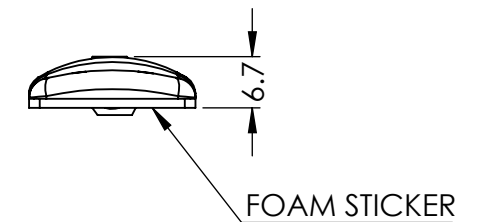
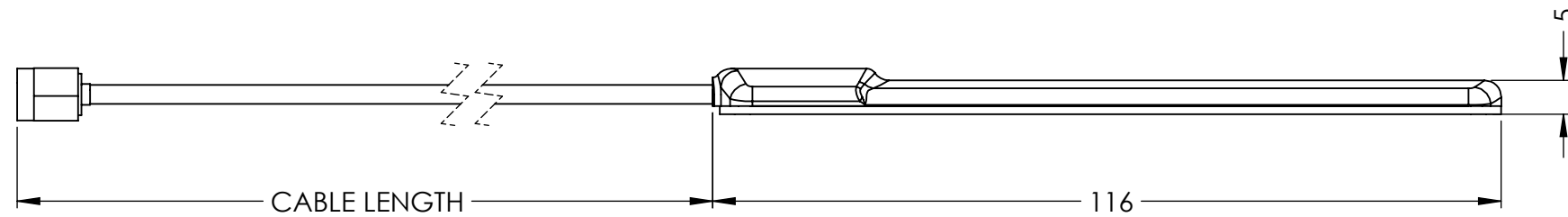
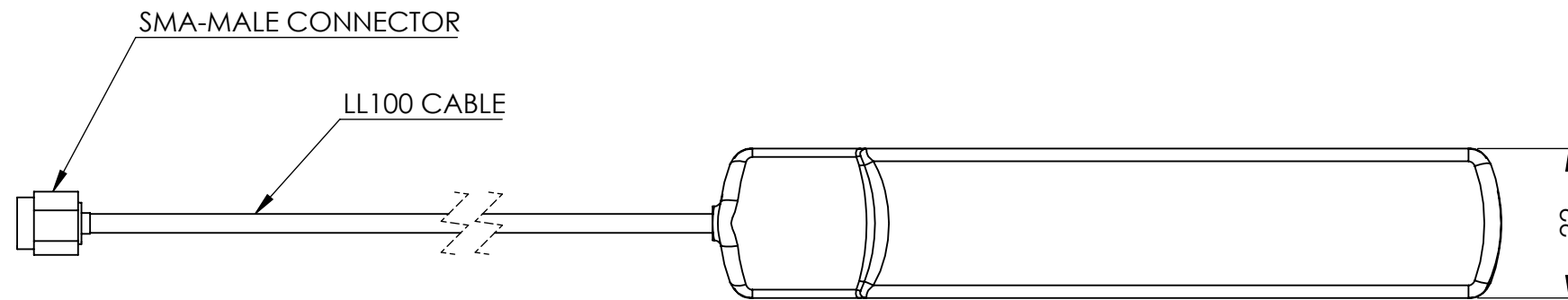
Parameter	Specification
Antenna Dimensions	116 × 22 × 6.7 mm
Operating Temperature	-40°C to + 85°C
Mounting Type	Adhesive Mount
Connector	SMA-Male
Radome	PC/ABS UV Stable
Radome color	Black
Substance Compliance	RoHS

\*Mounted on 30 x 30 x 0.25 cm ABS Plate



- NOTES:
- FREQUENCY (5G, 4G, 3G, 2G):
    - 617-960 MHz
    - 1427-2690 MHz
    - 3300-5000 MHz
    - 5150-5925 MHz
  - DIMENSIONS ARE AFTER MOUNTING
  - CUSTOMIZABLE CABLE AND CONNECTOR TYPE
  - MOUNTING TYPE: ADHESIVE MOUNT
  - MATERIALS:
    - RADOME: PC/ABS UV STABLE
    - RADOME COLOR: BLACK
  - OPERATING TEMPERATURE: -40° C ~ +85° C
  - STORAGE TEMPERATURE: -40° C ~ +85° C

DRAWING REVISION HISTORY			
REV	DESCRIPTION	DATE	BY
A	INITIAL RELEASE	2022-01-14	JET



ITEM 100-00228 REVISION HISTORY			
REV	DESCRIPTION	DATE	BY
A	INITIAL RELEASE	2022-01-14	JET

100-00228 CONFIGURATION TABLE				
DASH NO	CABLE TYPE	CABLE LENGTH	CONNECTOR TYPE	RADOME COLOR
-01	LL100	200 CM	SMA-MALE-GOLD	BLACK

UNLESS OTHERWISE SPECIFIED:  
 DIMENSIONS ARE IN MM  
 TOLERANCES:  
 FRACTIONAL: ±  
 ANGULAR: MACH ± .5° BEND ±  
 ONE PLACE DECIMAL ± 1.0  
 TWO PLACE DECIMAL ± .50

INTERPRET GEOMETRIC TOLERANCING PER:

THIRD ANGLE PROJECTION  
DO NOT SCALE DRAWING

	NAME	DATE
DRAWN	JET	2022-01-14
CHECKED	ZX	2022-01-14
ENG APPR.	NPC	2022-01-14
MFG APPR.		
Q.A.		

CAD MAINTAINED. CHANGES SHALL BE INCORPORATED BY THE DESIGN ACTIVITY.

MAXTENA, INC

TITLE: 100-00228 MEA-5000-AM

SIZE B DWG. NO. 117-00563-01 REV A

CAGE CODE: 5KQH7 SCALE: NONE SHEET 1 OF 1

# Mouser Electronics

Authorized Distributor

Click to View Pricing, Inventory, Delivery & Lifecycle Information:

[Maxtena:](#)

[MEA-5000-AM](#)