



# MEA-GNSS-CM-FAKRA

## GNSS CONNECTOR MOUNT ANTENNA

Part #: 100-00241-01

### Description

The MEA-GNSS-CM-FAKRA is a multi-frequency, high accuracy, GNSS antenna for the entire L1 GNSS band (GPS, GLONASS, Galileo, BeiDou, QZSS). The antenna's excellent radiation pattern, exceptional robustness ensures optimal performance of GNSS systems. It features an integrated Fakra-C-Blue-Female connector. This antenna is ideal for robotics, automotive, UAV, industrial and IOT applications.

### Electrical Specifications

Parameter	Specification		
Standards	BeiDou	GPS/QZSS/ Galileo	GLONASS
Band (MHz)	1561	1575	1602
Frequency (MHz)	1561.098	1575.42	1598-1606
Return Loss (dB)	~ -14.8	~ -17.3	~ -23.3
VSWR	~ 1.4:1	~ 1.3:1	~ 1.1:1
Efficiency (%)	~ 75.3	~ 75.1	~ 77.5
Peak Gain (dBi)	~ 3.5	~ 3.3	~ 3.9
Average Gain (dB)	~ -1.3	~ -1.2	~ -1.1
Impedance ( $\Omega$ )	50		
Polarization	Linear		
Radiation Pattern	Omin-Directional		
Max Input Power (W)	25		
Connector Type	Fakra-C-Blue-Female		

### Mechanical and Environmental Specifications

Parameter	Specification
Mounting Type	Connector Mount
Dimensions (mm)	81 x 14 x 10
Weight (g)	99
Radome Type	POM
Radome Color	Black
Operating Temperature (C)	-40 to +85°
Storage Temperature (C)	-40 to +85°
Substance Compliance	RoHS



### Features

- GPS/GLONASS/BeiDou/QZSS/Galileo
- Easy mounting: connector mount
- Low profile
- High efficiency
- Hinged connector
- Fakra-C-Blue connector
- Dimensions 81 × 14 × 10 mm

### Applications

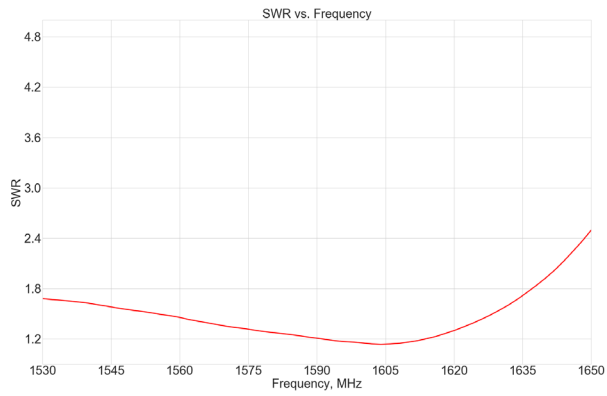
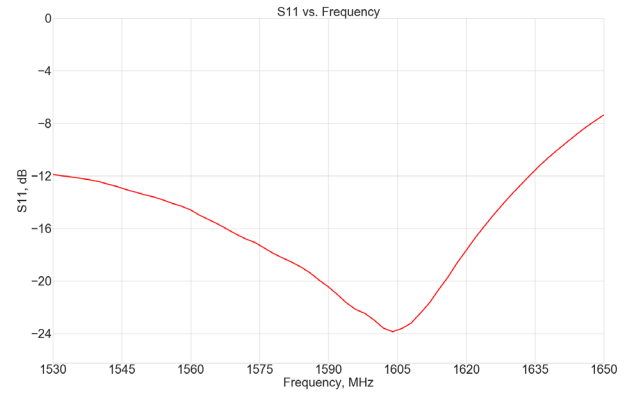
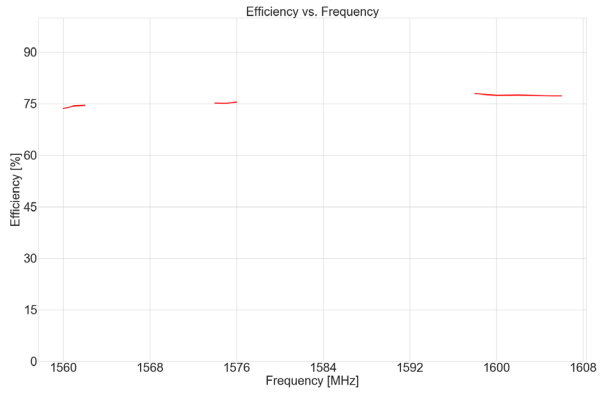
- Tracking and mapping
- Autonomous vehicles
- Navigation systems
- Smart tracking devices
- Automotive applications

### Antenna Measurement Conditions:

Mounted on metal plate of 83 x 40 cm  
Measured in certified CTIA 3D anaechioic chamber

# Radiation Performance

## MEA-GNSS-CM-FAKRA

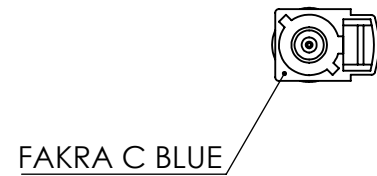
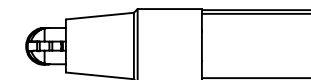
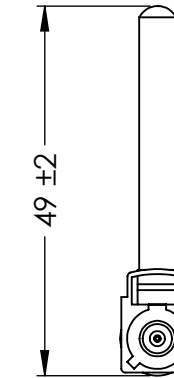
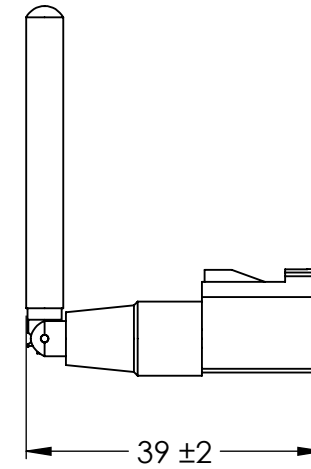
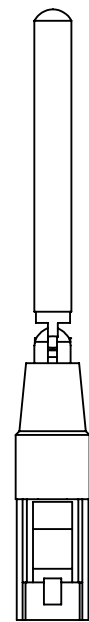
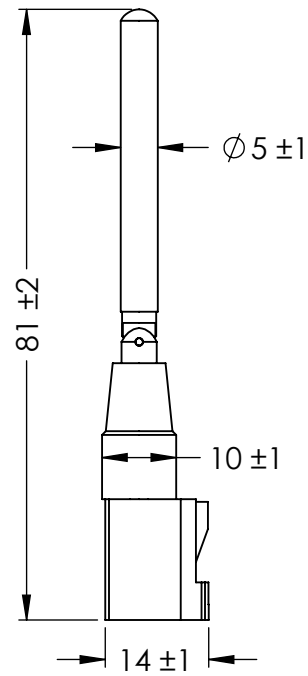


NOTES:

1. FREQUENCY (BEIDOU, GPS/QZSS/GALILEO, GLONASS): 1561.098 MHz, 1575.42 MHz, 1598-1606 MHz
2. DIMENSIONS ARE AFTER MOUNTING
3. MOUNTING TYPE: CONNECTOR MOUNT
4. MATERIALS:
  - RADOME: POM
  - RADOME COLOR: BLACK
5. OPERATING TEMPERATURE: -40° C ~ +85° C
6. STORAGE TEMPERATURE: -40° C ~ +85° C

DRAWING REVISION HISTORY

REV	DESCRIPTION	DATE	BY
A	INITIAL RELEASE	2022-01-28	JET



100-00241 CONFIGURATION TABLE

DASH NO	CONNECTOR TYPE	RADOME COLOR
-01	FAKRA-C-BLUE FEMALE	BLACK

ITEM 100-00241 REVISION HISTORY

REV	DESCRIPTION	DATE	BY
A	INITIAL RELEASE	2022-01-28	JET

UNLESS OTHERWISE SPECIFIED:	NAME	DATE
DIMENSIONS ARE IN MM	DRAWN	JET 2022-01-28
TOLERANCES:	CHECKED	ZX 2022-01-28
FRACTIONAL ±	ENG APPR.	NPC 2022-01-28
ANGULAR: MACH ± .5° BEND ±	MFG APPR.	
ONE PLACE DECIMAL ± 1.0	Q.A.	
TWO PLACE DECIMAL ± .50		
INTERPRET GEOMETRIC TOLERANCING PER:	CAD MAINTAINED. CHANGES SHALL BE INCORPORATED BY THE DESIGN ACTIVITY.	
	DO NOT SCALE DRAWING	

MAXTENA, INC		
TITLE: 100-00241 MEA-GNSS-CM-FAKRA		
SIZE <b>B</b>	DWG. NO. <b>117-00577-01</b>	REV <b>A</b>
CAGE CODE: 5KQH7	SCALE: NONE	SHEET 1 OF 1

PROPRIETARY AND CONFIDENTIAL

THE INFORMATION CONTAINED IN THIS DRAWING IS THE SOLE PROPERTY OF MAXTENA, INC. ANY REPRODUCTION IN PART OR AS A WHOLE WITHOUT THE WRITTEN PERMISSION OF MAXTENA, INC IS PROHIBITED.