



MEA-1621-MT-MA

Iridium High Performance Screw Mount Antenna

Part #: 100-00227-01

Description

The MEA-1621-MT-MA is an external antenna designed for the Iridium Network. The antenna provides exceptional pattern control, polarization purity and high efficiency. It offers excellent performance at low orbit and a sleek, and offers robust pole-to-pole coverage. The MEA-1621-MT-MA is low profile design antenna with easy mounting, featuring a standard SMA-Male connector and a 300cm long LL195W cable and is rated IP-67 when mounted. It can be used to boost the performance of the Iridium handsets among other uses.

This low profile antenna is a screw mount antenna with rugged ABS plastic housing and is ideal for the most demanding environmental challenges. The MEA-1621-MT-MA provides outstanding performance for any telematics and fleet management application.



Electrical Specification

Parameter	Specification
Frequency Range	1616-1627 MHz
Band	1621 MHz
Return Loss	-18.8 dB
VSWR	1.2:1
Efficiency	76%
Peak Gain	4.5 dBi
Average Gain	-1.1dB
Impedance	50 Ω
Axial Ratio	≤ 3 dB
Polarization	RHCP
Radiation Pattern	Hemispherical

Mechanical Specification

Parameter	Specification
Antenna Dimensions	Ø 74 x 34.7 mm
Weight	202 g
Operating Temperature	-40°C to + 85°C
Mounting Type	Screw Mount
Connector	SMA Male
Radome/Color	ABS/ White
Substance Compliance	RoHS
Certificates	Iridium Certified, IP67

Features

- Optimized for Iridium Network
- High Performance
- High efficiency & 4.5 dBic Iridium Peak Gain
- Easy Mounting: Screw Mount
- Ground Plane Independent
- Rugged design
- Customizable Cable and Connector
- Low profile: Ø 74 × 34.7 mm
- IP67

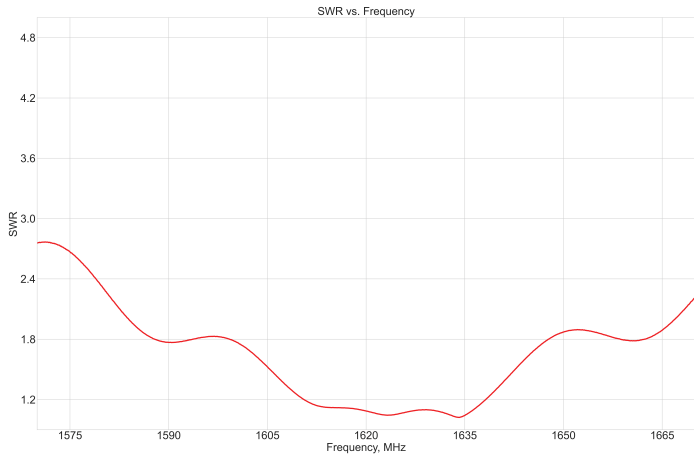
Applications

- Satellite Communication
- Marine Applications
- Critical Communications
- Weather Monitoring
- Military & security
- Asset tracking
- Iridium (SBD) Short Burst Data
- Oil & gas industries
- Navigation devices
- Mining equipment
- LBS & M2M applications



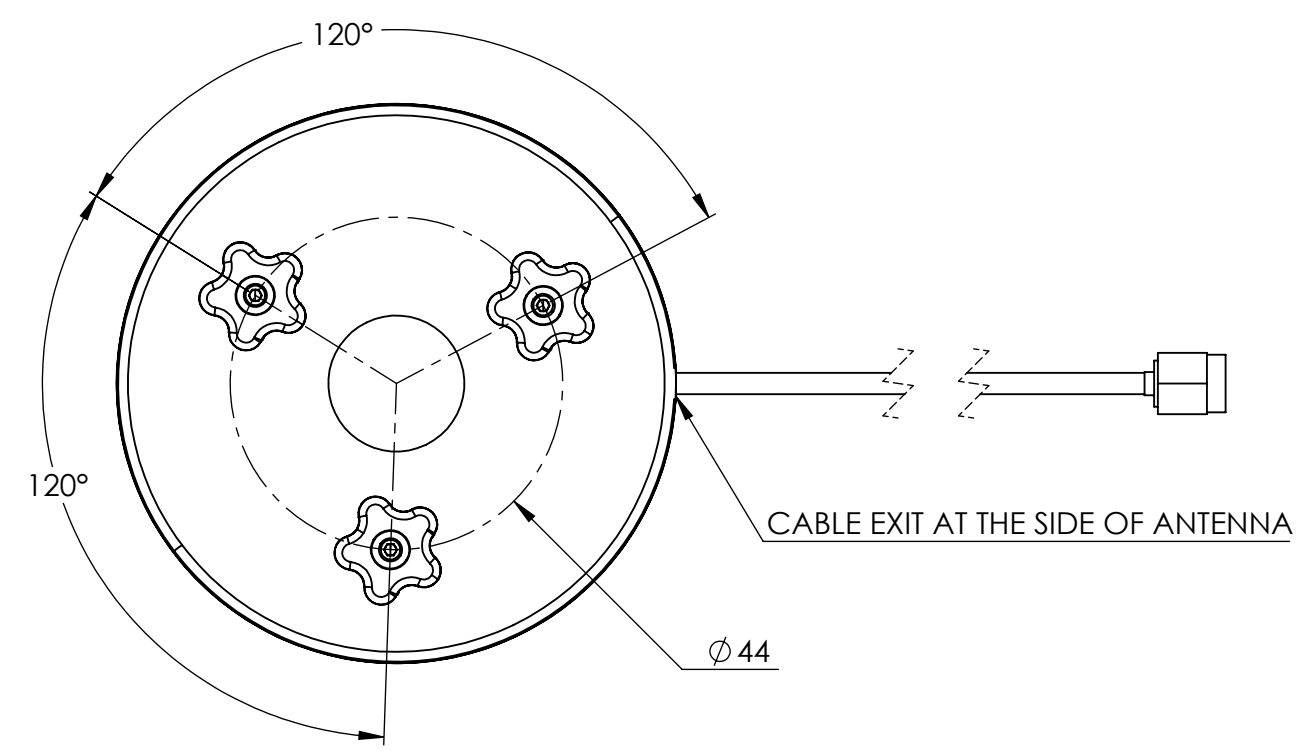
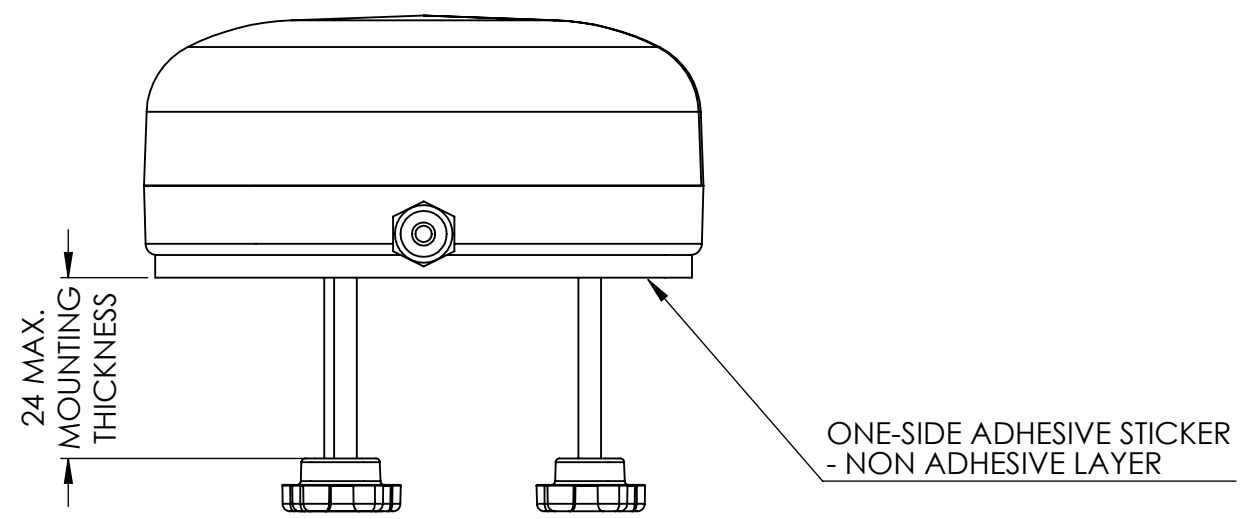
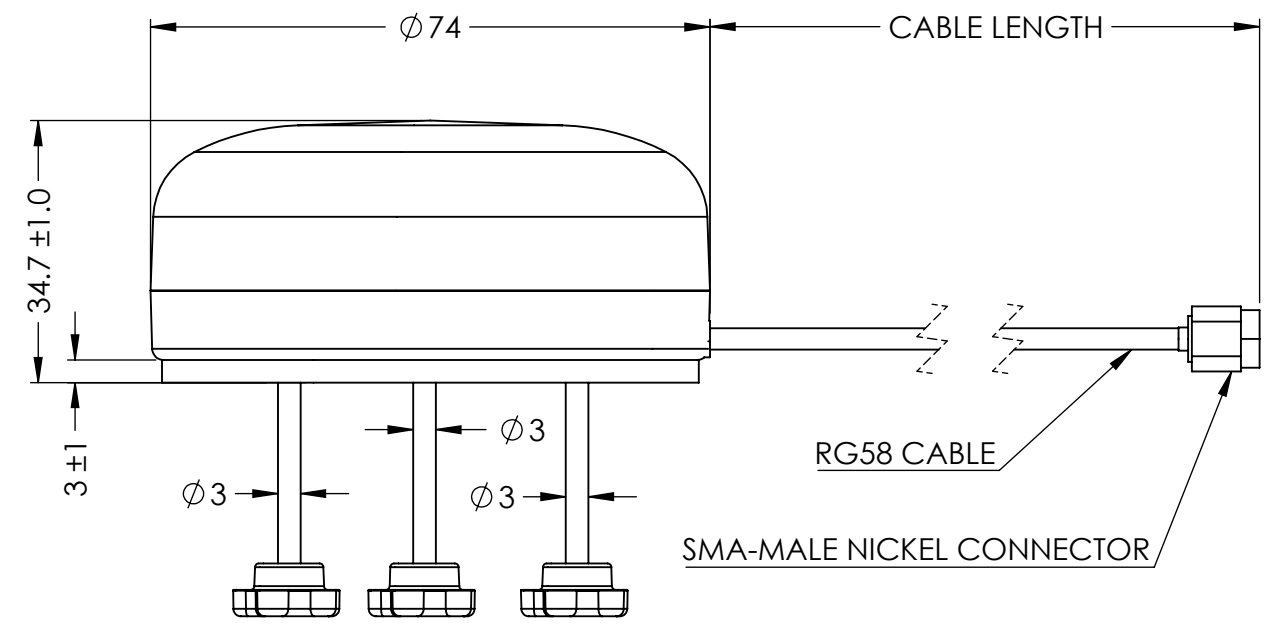
Maxtena Inc.
7361 Calhoun Place, Suite 102
Rockville, MD 20855
1-877-629-8362
info@maxtena.com

www.maxtena.com



Maxtena Inc.
 7361 Calhoun Place, Suite 102
 Rockville, MD 20855
 1-877-629-8362
 info@maxtena.com
 www.maxtena.com

DRAWING REVISION HISTORY			
REV	DESCRIPTION	DATE	BY
A	INITIAL RELEASE	2022-01-18	JET
B	RENAMED	2022-06-30	SZ



- NOTES:
- FREQUENCY (IRIDIUM): 1616-1627 MHz
 - DIMENSIONS ARE AFTER MOUNTING
 - CUSTOMIZABLE CABLE AND CONNECTOR TYPE
 - MOUNTING TYPE: SCREW MOUNT
 - MAX MOUNTING THICKNESS: 24 MM
 - MATERIALS:
 - RADOME: ABS
 - RADOME COLOR: WHITE
 - ANTENNA BASE: ABS
 - OPERATING TEMPERATURE: -40° C ~ +85° C
 - STORAGE TEMPERATURE: -40° C ~ +85° C
 - CERTIFICATION: IP67, IRIDIUM CERTIFIED

ITEM 100-00227 REVISION HISTORY			
REV	DESCRIPTION	DATE	BY
A	INITIAL RELEASE	2022-01-18	JET

100-00227 CONFIGURATION TABLE				
DASH NO	CABLE TYPE	CABLE LENGTH	CONNECTOR TYPE	RADOME COLOR
-01	RG58 WHITE	300 CM	SMA-MALE NICKEL	WHITE

UNLESS OTHERWISE SPECIFIED:

DIMENSIONS ARE IN MM
TOLERANCES:
FRACTIONAL ±
ANGULAR: MACH ± .5° BEND ±
ONE PLACE DECIMAL ± 1.0
TWO PLACE DECIMAL ± .50

INTERPRET GEOMETRIC TOLERANCING PER:

THIRD ANGLE PROJECTION

DO NOT SCALE DRAWING

	NAME	DATE
DRAWN	JET	2022-01-18
CHECKED	ZX	2022-01-18
ENG APPR.	NPC	2022-01-18
MFG APPR.		
Q.A.		

CAD MAINTAINED. CHANGES SHALL BE INCORPORATED BY THE DESIGN ACTIVITY.

MAXTENA, INC

TITLE:
100-00227
MEA-1621-MT-MA

SIZE DWG. NO. REV
B 117-00562-01 **B**

CAGE CODE: 5KQH7 SCALE: NONE SHEET 1 OF 1