



# MEA-2410-CM

2.4 GHz ISM Ultra-Wideband Antenna

Part #: 100-00235-01

## Description

The MEA-2410-CM connector mount Antenna is a low profile antenna solution, with a very high-performance ideal for maintaining constant network connectivity. The MEA-2410-CM covers all ISM standard frequencies. This is an ideal antenna for telematics systems, remote surveillance, asset tracking and any IOT system applications. The MEA-2410-CM is easy to install with maximum durability offering IP67 rated housing and anti-rotation mounting.

This connector mount antenna is easy to install with maximum durability. The high performance and low profile make this antenna ideal for the most challenging installations.



## Electrical Specification

Parameter	Specification
Frequency Range	2410-2490 MHz
Band	2.4 GHz
Return Loss	-10 dB
VSWR	1.9:1
Efficiency	62%
Peak Gain	1.5 dBi
Average Gain	-2.0 dB
Impedance	50 $\Omega$
Polarization	Vertical
Radiation Pattern	Omni-Directional
Max. Input Power	25 W

## Mechanical Specification

Parameter	Specification
Antenna Dimensions	113 x 10 mm
Weight	13 g
Operating Temperature	-40°C to + 85°C
Mounting Type	Connector Mount
Connector	SMA-Male RP
Radome	ABS UV Stable / Black
Substance Compliance	RoHS

## Features

- 2.4 GHz ISM
- Easy Mounting: Connector Mount
- Ground Plane Independent
- Hinged Connector
- High Efficiency
- Dimensions 113 x 10 mm

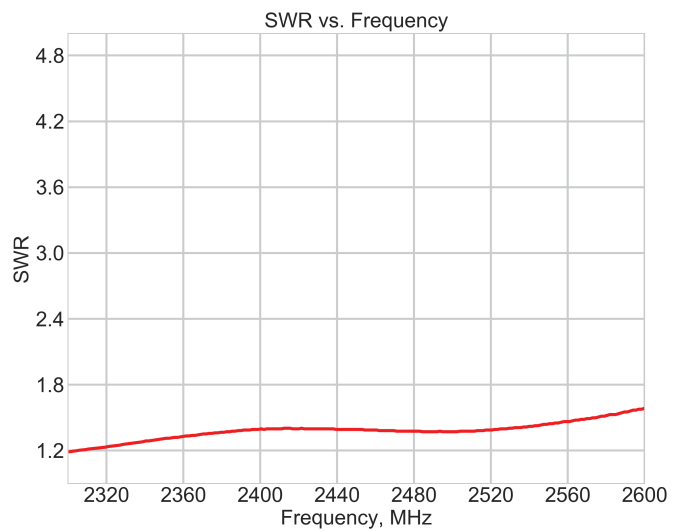
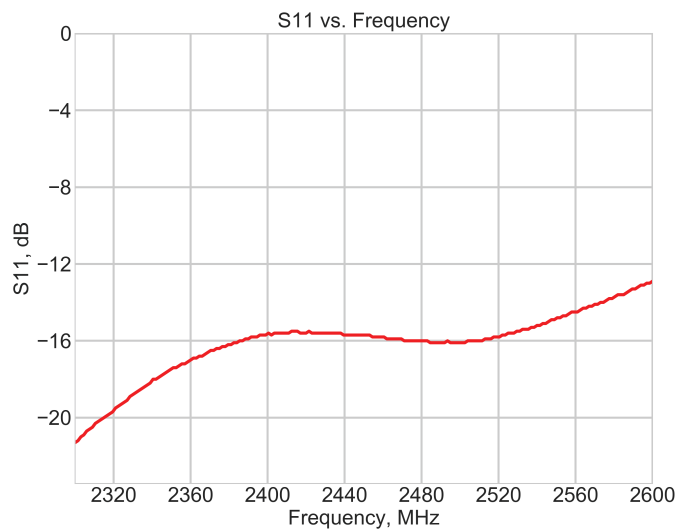
## Applications

- Remote mesh networks
- Smart meters
- IoT
- Public Safety
- IOT Applications



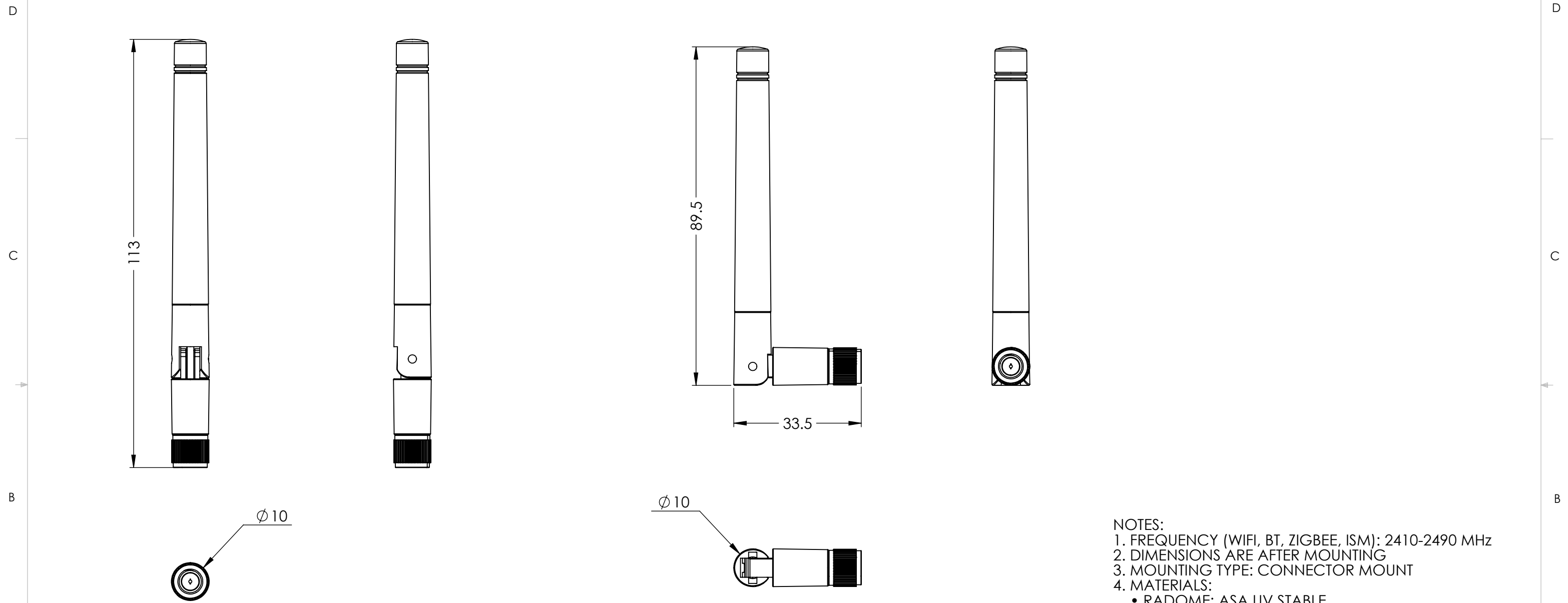
Maxtena Inc.  
7361 Calhoun Place, Suite 102  
Rockville, MD 20855  
1-877-629-8362  
info@maxtena.com

[www.maxtena.com](http://www.maxtena.com)



Maxtena Inc.  
 7361 Calhoun Place, Suite 102  
 Rockville, MD 20855  
 1-877-629-8362  
 info@maxtena.com  
[www.maxtena.com](http://www.maxtena.com)

DRAWING REVISION HISTORY			
REV	DESCRIPTION	DATE	BY
A	INITIAL RELEASE	2022-01-21	JET



- NOTES:
1. FREQUENCY (WIFI, BT, ZIGBEE, ISM): 2410-2490 MHz
  2. DIMENSIONS ARE AFTER MOUNTING
  3. MOUNTING TYPE: CONNECTOR MOUNT
  4. MATERIALS:
    - RADOME: ASA UV STABLE
    - RADOME COLOR: BLACK
  5. OPERATING TEMPERATURE: -40° C ~ +85° C
  6. STORAGE TEMPERATURE: -40° C ~ +85° C

ITEM 100-00235 REVISION HISTORY			
REV	DESCRIPTION	DATE	BY
A	INITIAL RELEASE	2022-01-21	JET

100-00235 CONFIGURATION TABLE		
DASH NO	CONNECTOR TYPE	RADOME COLOR
-01	SMA-MALE RP	BLACK

UNLESS OTHERWISE SPECIFIED:

DIMENSIONS ARE IN MM  
TOLERANCES:  
FRACTIONAL ±  
ANGULAR: MACH ± .5° BEND ±  
ONE PLACE DECIMAL ± 1.0  
TWO PLACE DECIMAL ± .50

	NAME	DATE
DRAWN	JET	2022-01-21
CHECKED	ZX	2022-01-21
ENG APPR.	NPC	2022-01-21
MFG APPR.		
	Q.A.	

INTERPRET GEOMETRIC TOLERANCING PER:

THIRD ANGLE PROJECTION

DO NOT SCALE DRAWING

CAD MAINTAINED. CHANGES SHALL BE INCORPORATED BY THE DESIGN ACTIVITY.

MAXTENA, INC

TITLE: 100-00235 MEA-2410-CM

SIZE B DWG. NO. 117-00570-01 REV A

CAGE CODE: 5KQH7 SCALE: NONE SHEET 1 OF 1

PROPRIETARY AND CONFIDENTIAL  
THE INFORMATION CONTAINED IN THIS DRAWING IS THE SOLE PROPERTY OF MAXTENA, INC. ANY REPRODUCTION IN PART OR AS A WHOLE WITHOUT THE WRITTEN PERMISSION OF MAXTENA, INC IS PROHIBITED.

# Mouser Electronics

Authorized Distributor

Click to View Pricing, Inventory, Delivery & Lifecycle Information:

[Maxtena:](#)

[MEA-2410-CM](#)