



# MEA-915-N-60

Ultra-Rugged Dipole Antenna

Part #: 100-00263-01

## Description

The MEA-915-N-60 is a high performance ultra-rugged antenna for 915MHz wireless applications.

This antenna is fully compatible with LoRA/ISM standards. The MEA-915-N-60 is a dipole antenna which is ideal for various installations for IOT, smart metering, digital signage and industrial monitoring.

The antenna is supplied with a N-Type Female connector and is light weight. The UV resistant coated fiberglass housing makes this antenna suitable to be mounted in very challenging robust outdoor environments. The antenna is IP 65 rated.

## Electrical Specification

Parameter	Specification
Frequency Range	915 MHz
Gain	5.5dBi
VSWR	< 1.5
Impedance	50 $\Omega$
Polarization	Vertical
Max. Input Power	50 W

## Mechanical Specification

Parameter	Specification
Antenna Length	60cm
Operating Temperature	-20°C to + 60°C
Antenna Weight	2.0 kg
Connector	N-Female
Antenna Material	Fiberglass / Brass / Copper
Install Method	U bolt and bracket
Substance Compliance	RoHS

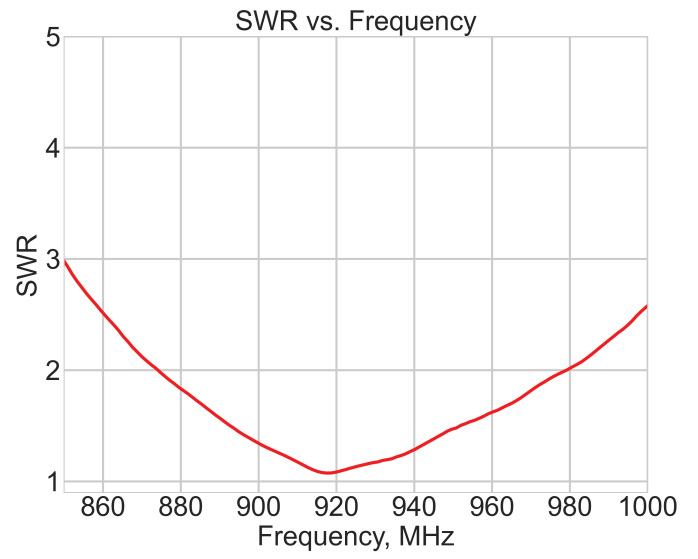
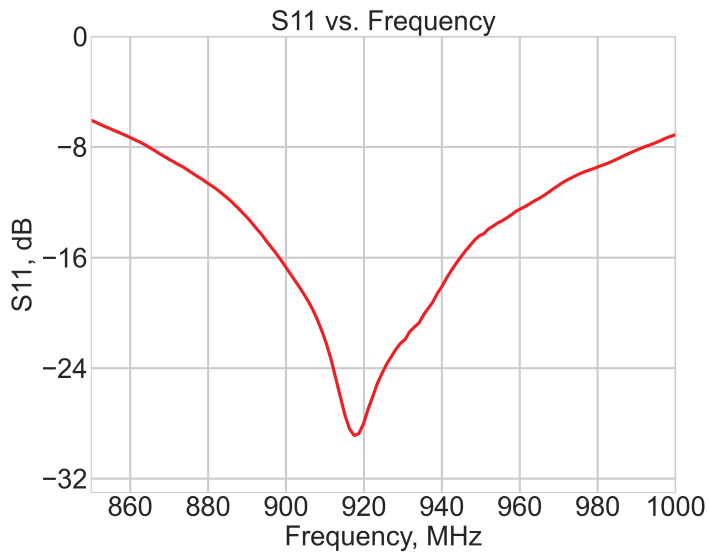


## Features

- 915 MHz ISM LoRa band antenna
- High performance for increased coverage
- UV protected
- N-female Connector

## Applications

- Remote mesh networks
- Smart meters
- IoT
- Public Safety



Maxtena Inc.  
 7361 Calhoun Place, Suite 102  
 Rockville, MD 20855  
 1-877-629-8362  
 info@maxtena.com  
[www.maxtena.com](http://www.maxtena.com)

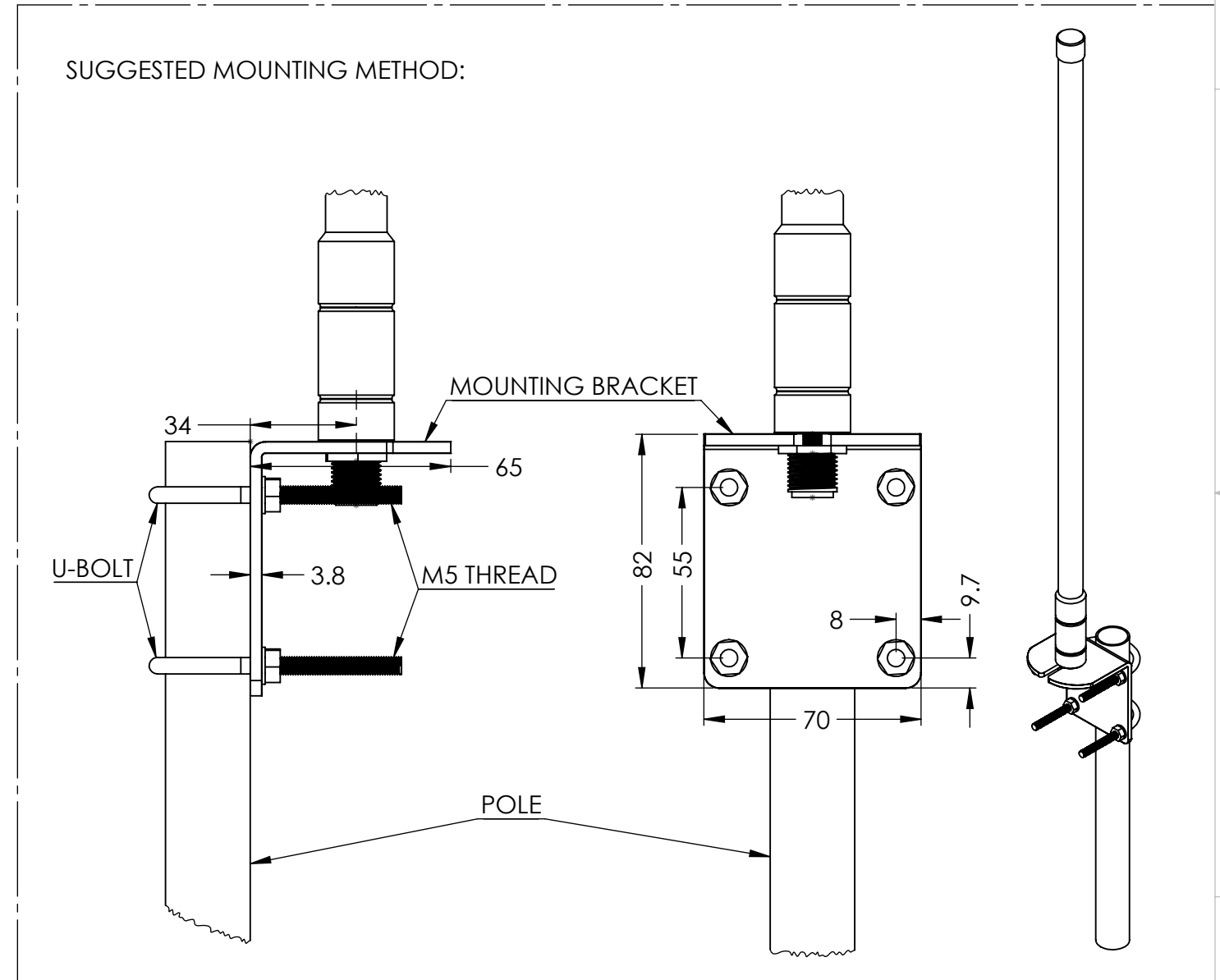
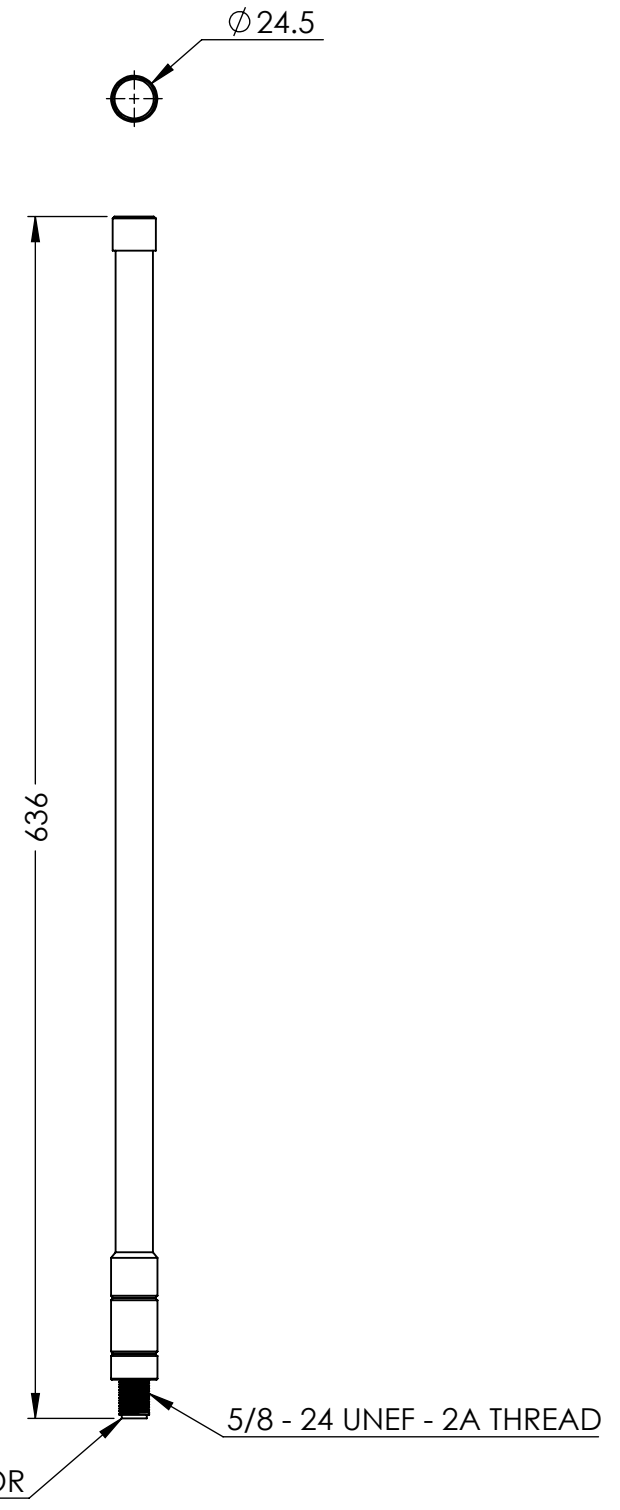
8 7 6 5 4 3 2 1

DRAWING REVISION HISTORY			
REV	DESCRIPTION	DATE	BY
A	INITIAL RELEASE	2022-03-18	SZ

- NOTES:
1. FREQUENCY RANGE: 915 MHz
  2. MOUNTING TYPE: POLE MOUNT
  3. U-BOLT AND BRACKET COME WITH ANTENNA
  4. OPERATING TEMPERATURE: -20°C ~ +60°C
  5. STORAGE TEMPERATURE: -20°C ~ +60°C

D  
C  
B  
A

D  
C  
B  
A



ITEM 100-00263-01 REVISION HISTORY			
REV	DESCRIPTION	DATE	BY
A	INITIAL RELEASE	2022-03-18	SZ

PROPRIETARY AND CONFIDENTIAL

THE INFORMATION CONTAINED IN THIS DRAWING IS THE SOLE PROPERTY OF MAXTENA, INC. ANY REPRODUCTION IN PART OR AS A WHOLE WITHOUT THE WRITTEN PERMISSION OF MAXTENA, INC IS PROHIBITED.

UNLESS OTHERWISE SPECIFIED:	NAME	DATE
DIMENSIONS ARE IN MM	DRAWN	SZ 2022-03-18
TOLERANCES:	CHECKED	ZX 2022-03-18
FRACTIONAL $\pm$	ENG APPR.	NPC 2022-03-18
ONE PLACE DECIMAL $\pm 1.0$	MFG APPR.	
TWO PLACE DECIMAL $\pm .50$	Q.A.	
INTERPRET GEOMETRIC TOLERANCING PER:	CAD MAINTAINED. CHANGES SHALL BE INCORPORATED BY THE DESIGN ACTIVITY.	
	DO NOT SCALE DRAWING	

MAXTENA, INC		
TITLE:		
100-00263-01 MEA-915-N-60		
SIZE	DWG. NO.	REV
B	117-00606-01	A
CAGE CODE: 5KQH7	SCALE: NONE	SHEET 1 OF 1

8 7 6 5 4 3 2 1