



# MEA-2410-WIFI

Dual Band Wifi ISM Antenna

Part #: 100-00280-01



## Description

The MEA-2410-WIFI connector mount Antenna is a low profile antenna solution, with a very high-performance ideal for maintaining constant network connectivity. The MEA-2410-WIFI covers all WiFi, BT, ZigBee, and ISM standard frequencies. This is an ideal antenna for telematics systems, remote surveillance, asset tracking and any IOT system applications. The MEA-2410-WIFI is easy to install with maximum durability offering IP67 rated housing and anti-rotation mounting. The high performance and low profile make this antenna ideal for the most challenging installations.

## Electrical Specification

Parameter	Specification	
Frequency Range	2410-2490 MHz	4920-5925MHz
Band	2.4 GHz	5.0GHz
Return Loss	-7.0 dB	-9.8 dB
VSWR	2.6:1	2.1:1
Efficiency	52.2%	53.1%
Peak Gain	2.8 dBi	2.4 dBi
Average Gain	-2.8 dB	-2.8 dB
Impedance	50 Ω	
Polarization	Linear	
Radiation Pattern	Omni-Directional	
Max Input Power	25 W	

## Mechanical Specification

Parameter	Specification
Antenna Dimensions	Ø15.7 x 58.2 mm
Operating Temperature	-40°C to + 85°C
Mounting Type	Connector Mount
Connector	Most RF Connectors
Radome/Color	TPE/ Black
Substance Compliance	RoHS
Certificates	IP67

\*Mounted on Ground Plane 70 x 35 cm

## Features

- 2.4/5.0 GHz ISM, 2410-2490MHz, 4920-5925MHz
- High performance antenna
- Easy mounting: Connector Mount
- Dimensions Ø 15.7 × 58.2 mm
- IP67

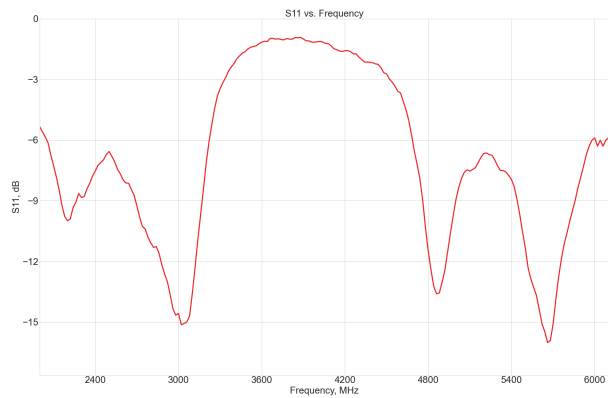
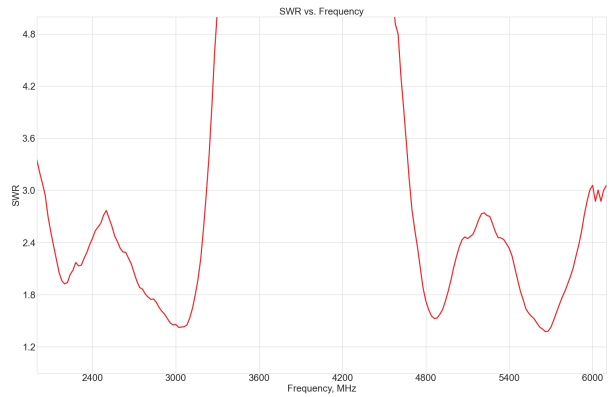
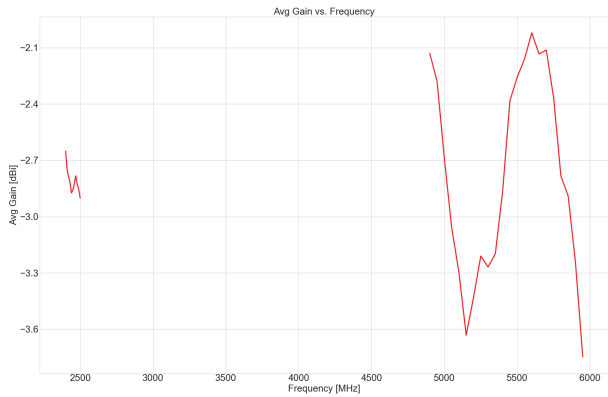
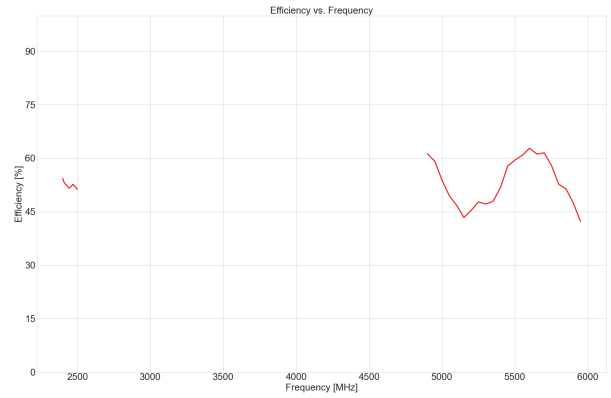
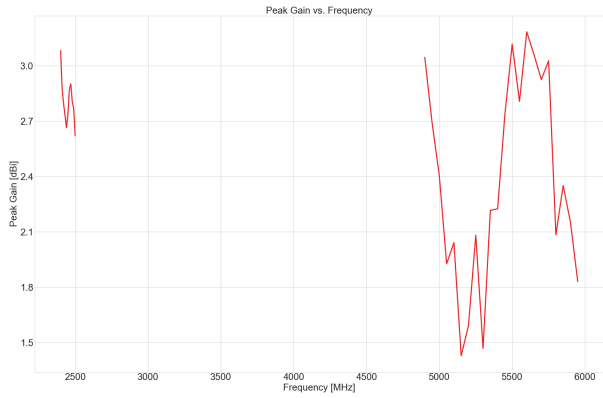
## Applications

- WIFI applications
- Navigation and telematics systems
- IoT applications
- Automotive connectivity
- Multimedia
- Fleet management
- HD video and audio streaming



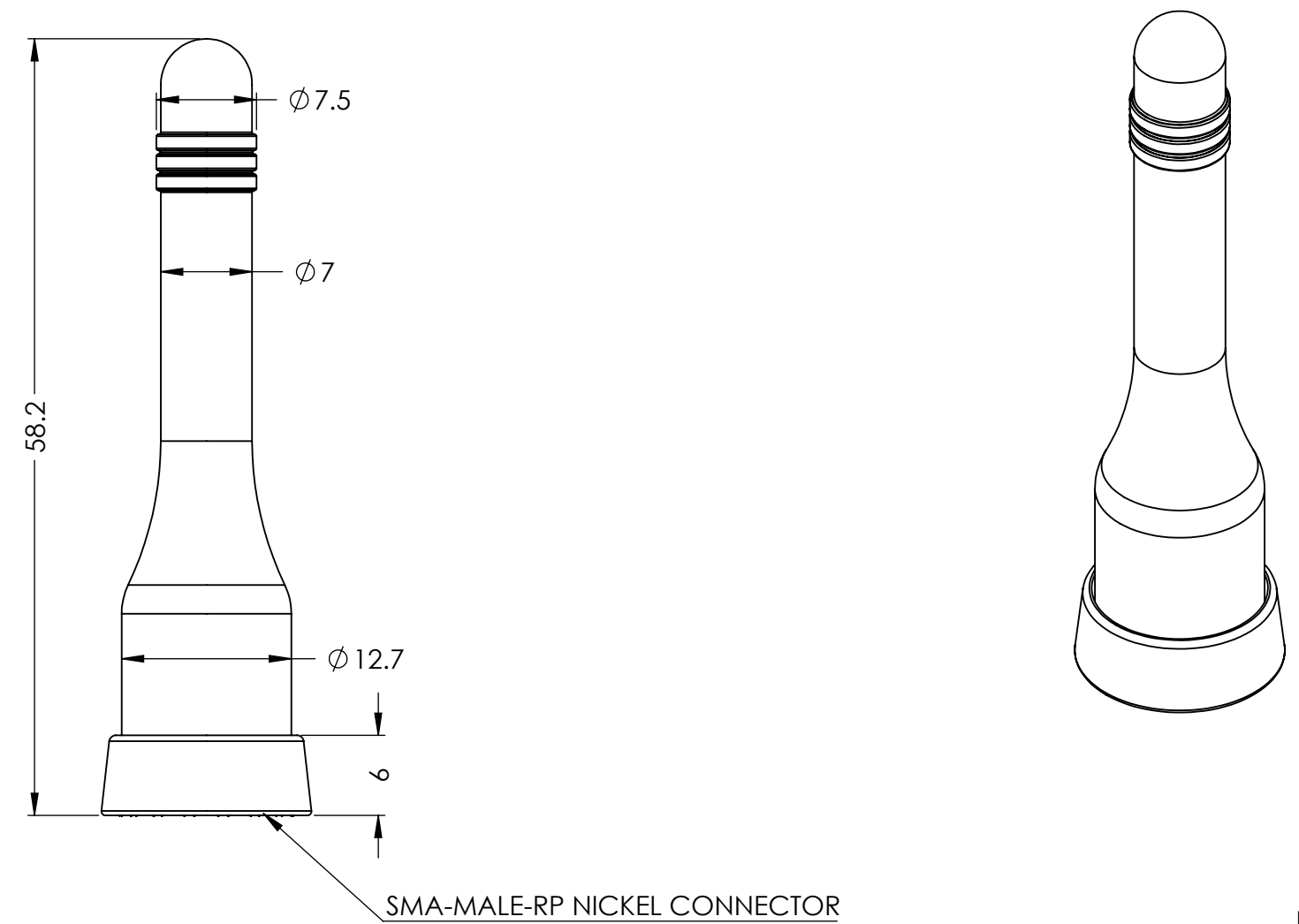
Maxtena Inc.  
7361 Calhoun Place, Suite 102  
Rockville, MD 20855  
1-877-629-8362  
info@maxtena.com

[www.maxtena.com](http://www.maxtena.com)



Maxtena Inc.  
 7361 Calhoun Place, Suite 102  
 Rockville, MD 20855  
 1-877-629-8362  
 info@maxtena.com  
 www.maxtena.com

DRAWING REVISION HISTORY			
REV	DESCRIPTION	DATE	BY
A	INITIAL RELEASE	2022-05-06	SZ



NOTES:

1. FREQUENCY ( WIFI, BT, ZIGBEE, ISM ) : 2410-2490 MHz, 4920-5925 MHz
2. MOUNTING TYPE: CONNECTOR MOUNT
3. CUSTOMIZABLE CONNECTOR TYPE
4. MATERIALS:
  - RADOME TYPE: TPE
  - RADOME COLOR: BLACK
5. OPERATING TEMPERATURE:  $-40^{\circ}\text{C} \sim +85^{\circ}\text{C}$
6. STORAGE TEMPERATURE:  $-40^{\circ}\text{C} \sim +85^{\circ}\text{C}$
7. CERTIFICATIONS: IP67

ITEM 100-00280 REVISION HISTORY			
REV	DESCRIPTION	DATE	BY
A	INITIAL RELEASE	2022-05-06	SZ

100-00280 CONFIGURATION TABLE	
DASH NO	CONNECTOR TYPE
-01	SMA-MALE-RP NICKEL

UNLESS OTHERWISE SPECIFIED:  
 DIMENSIONS ARE IN MM  
 TOLERANCES:  
 FRACTIONAL:  $\pm$   
 ANGULAR: MACH  $\pm .5^{\circ}$  BEND  $\pm$   
 ONE PLACE DECIMAL  $\pm 1.0$   
 TWO PLACE DECIMAL  $\pm .50$

	NAME	DATE
DRAWN	SZ	2022-05-06
CHECKED	ZX	2022-05-06
ENG APPR.	NPC	2022-05-06
MFG APPR.		
Q.A.		

INTERPRET GEOMETRIC TOLERANCING PER:

THIRD ANGLE PROJECTION  
DO NOT SCALE DRAWING

CAD MAINTAINED. CHANGES SHALL BE INCORPORATED BY THE DESIGN ACTIVITY.

MAXTENA, INC

TITLE: 100-00280  
MEA-2410-WIFI

SIZE	DWG. NO.	REV
<b>B</b>	<b>117-00633-01</b>	<b>A</b>

CAGE CODE: 5KQH7      SCALE: NONE      SHEET 1 OF 1