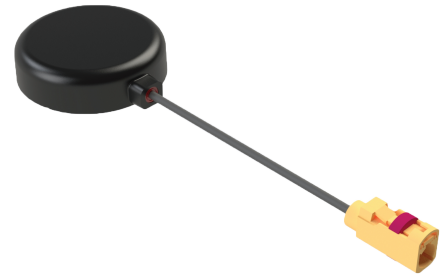




MEAX-2400-AM

2.4 GHz ISM Adhesive Mount
Part #: 100-00173-02



Description

The MEAX-2400-AM Adhesive Mount Antenna is a low profile antenna solution, with a very high-performance ideal for maintaining constant network connectivity. The MEAX-2400-AM covers all 2.4 GHz ISM standard frequencies. This is an ideal antenna for telematics systems, remote surveillance, asset tracking and any IOT WIFI system applications. The high performance and low profile make this antenna ideal for the most challenging installations. This magnet mount antenna is easy to install with maximum durability offering IP67 & IP69K rated housing.

The MEAX-2400-AM has one cable with a FAKRA Beige Female Jack standard connector, 3m standard cable length and is fully customizable by offering additional connector types, cable lengths and cable types.

Electrical Specifications

Parameter	Specification
Frequency Range	2410-2490 MHz
Band	2.4 GHz
Return Loss	-15.5 dB
VSWR	1.4:1
Efficiency	56.5%
Peak Gain	3.8 dBi
Average Gain	-2.5 dB
Impedance	50 Ω
Polarisation	Linear
Radiation Pattern	Omni-Directional
Max. Input Power	25 W

Mechanical Specification

Parameter	Specification
Antenna Dimensions	Ø 54 × 14.7 mm
Operating Temperature	-40°C to 85°C
Connector Type	Fakra Beige Female (Jack)
Mounting Type	Adhesive mount
Random	PC+ASA
Radome color	Black
Substance Compliance	RoHS
Certificates	IP67, IP69K

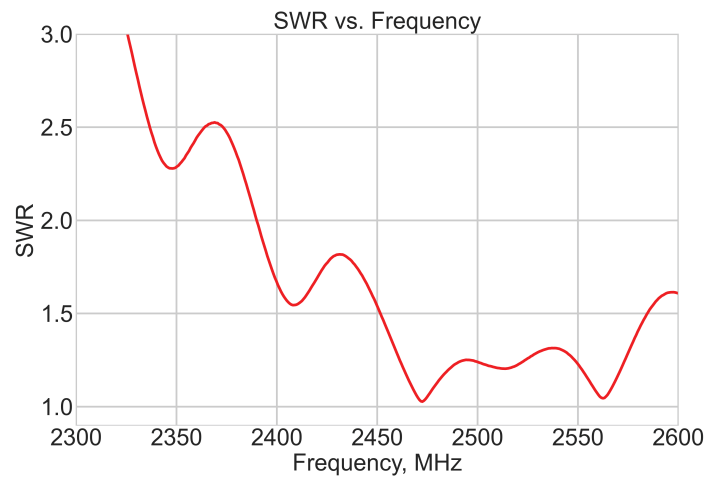
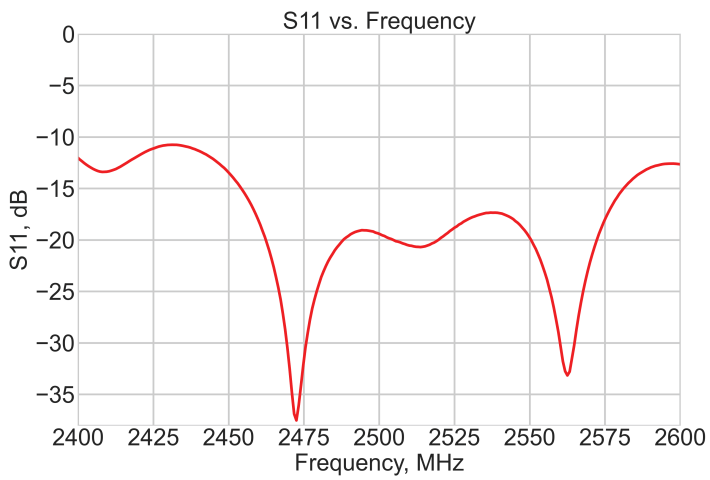
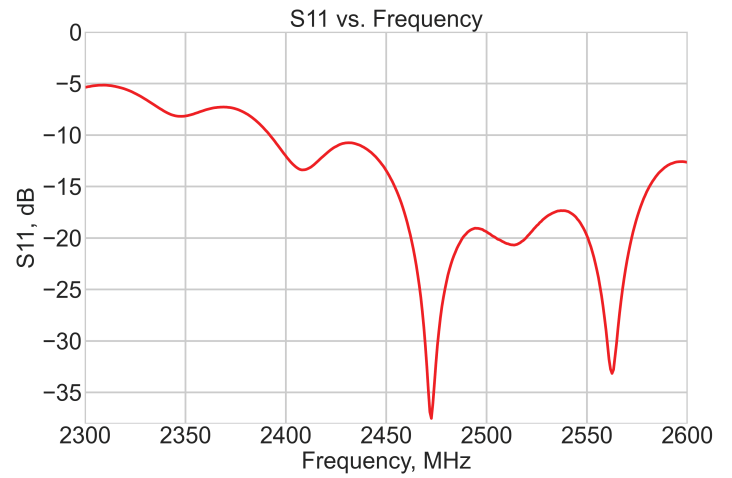
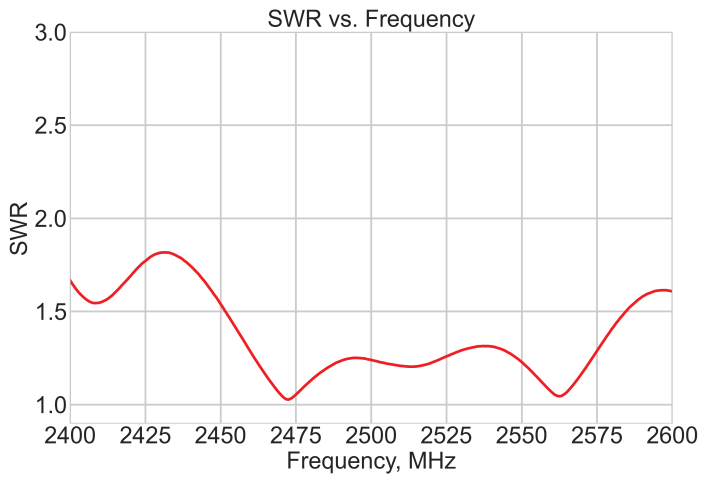
*Mounted on Ground Plane of 30 x 30 cm

Features

- 2.4 GHz ISM Band
- Adhesive mount
- 3.8 dBi WIFI Peak Gain
- Customizable Cable and Connector
- Ultra rugged housing
- Dimensions Ø 54 × 14.7 mm
- IP67, IP69K

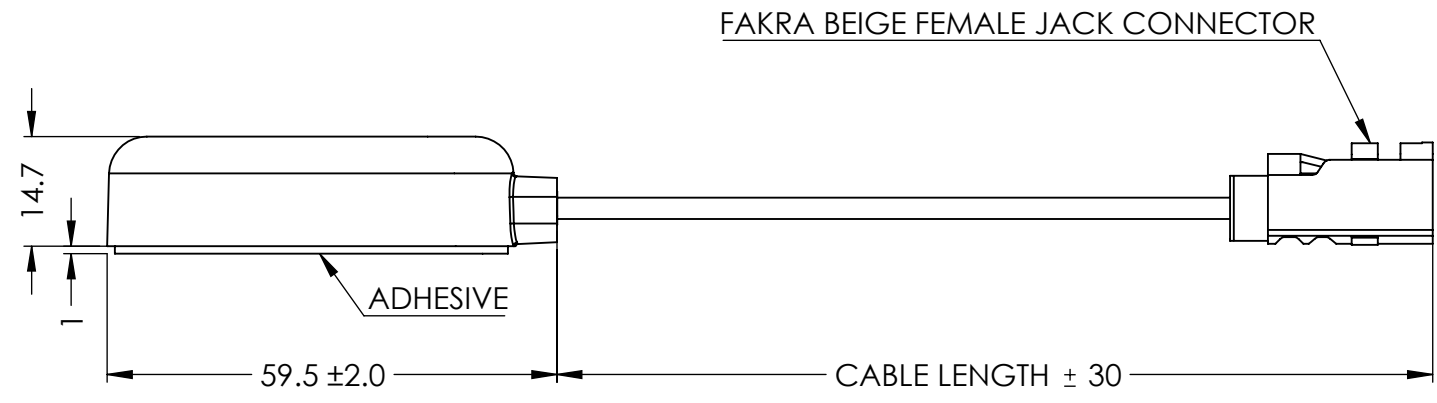
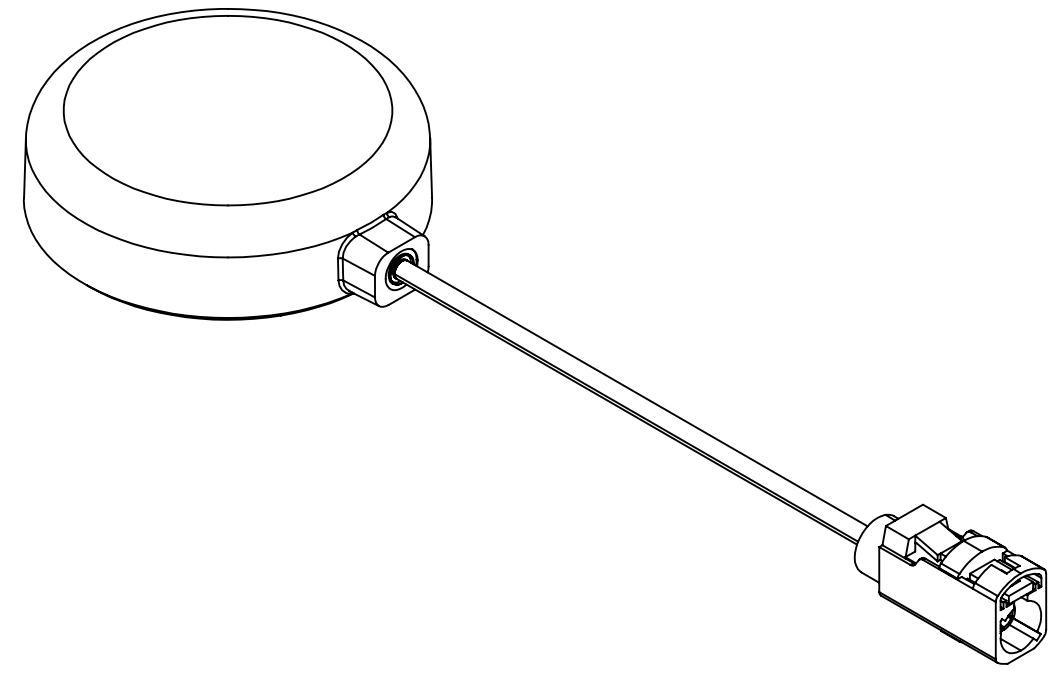
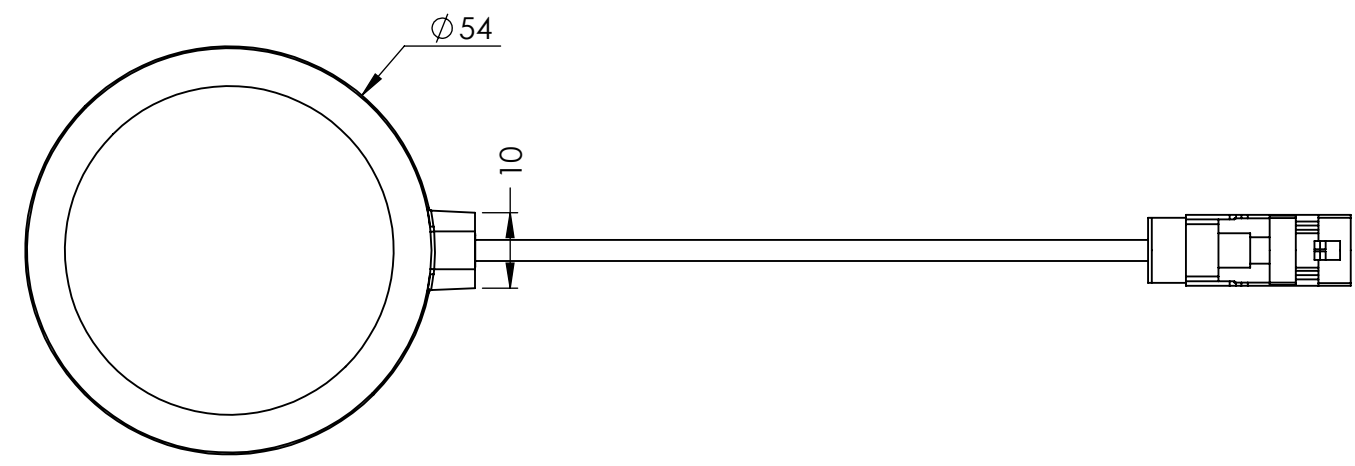
Applications

- WiFi applications
- Navigation and telematics systems
- IOT
- Automotive connectivity
- Multimedia
- Fleet management
- HD video and audio streaming



Maxtena Inc.
 7361 Calhoun Place, Suite 102
 Rockville, MD 20855
 1-877-629-8362
 info@maxtena.com
www.maxtena.com

DRAWING REVISION HISTORY			
REV	DESCRIPTION	DATE	BY
A	INITIAL RELEASE	2022-06-30	SZ



NOTES:

- FREQUENCY (WIFI, BT, ZIGBEE, ISM): 2410-2490 MHz
- CUSTOMIZABLE CABLE AND CONNECTOR TYPE
- MOUNTING TYPE: ADHESIVE MOUNT
- MATERIALS:
 - RADOME TYPE: ABS
 - RADOME COLOR: BLACK
- OPERATING TEMPERATURE: -40°C ~ +85°C
- STORAGE TEMPERATURE: -40°C ~ +85°C
- CERTIFICATIONS: IP67, IP69K

ITEM 100-00287 REVISION HISTORY			
REV	DESCRIPTION	DATE	BY
A	INITIAL RELEASE	2022-06-30	SZ

100-00287 CONFIGURATION TABLE			
DASH NO	CABLE TYPE	CABLE LENGTH	CONNECTOR TYPE
-01	LL100	3000 mm	FAKRA BEIGE FEMALE JACK

UNLESS OTHERWISE SPECIFIED:

DIMENSIONS ARE IN MM
TOLERANCES:
FRACTIONAL: ±
ANGULAR: MACH ± .5° BEND ±
ONE PLACE DECIMAL ± 1.0
TWO PLACE DECIMAL ± .50

INTERPRET GEOMETRIC TOLERANCING PER:

THIRD ANGLE PROJECTION
DO NOT SCALE DRAWING

	NAME	DATE
DRAWN	SZ	2022-06-24
CHECKED	ZX	2022-06-24
ENG APPR.	NPC	2022-06-30
MFG APPR.		
Q.A.		

CAD MAINTAINED. CHANGES SHALL BE INCORPORATED BY THE DESIGN ACTIVITY.

MAXTENA, INC

TITLE: 100-00287 MEA-2400-AM

SIZE: B DWG. NO. 117-00642-01 REV: A

CAGE CODE: 5KQH7 SCALE: NONE SHEET 1 OF 1