



# MEA-2500-LP-SM

CELLULAR/LTE MIMO Screw Mount

Part #: 100-00270-01

## Description

The MEA-2500-LP-SM is a Cellular/LTE/MIMO technology solution by Maxtena. The antenna features Cellular/LTE (698-960, 1710-2170, 2500-2700 MHz) reception.

The MEA-2500-LP-SM is ideal for high data throughput and streaming, video, industrial and IOT applications. The antennas advanced technology ensures constant reception and transmission. The antenna IS rated IP67. It is available with an SMA, FAKRA or customer specified connector and cable length.



## Electrical Specification

Cable 1	Parameter	Specifications		
	Standards	2G,3G and 4G		
	Band MHz	700/850/900	1700/1800/1900/2100	2600
	Frequency Range	698-960 MHz	1710-2170 MHz	2500-2700 MHz
	Return Loss	~-11.1	~-9.0	~-19.7
	VSWR	~-2.2:1	~-2.2:1	~-1.3:1
	Efficiency (%)	~40.1	~38.1	~48.1
	Peak Gain (dBi)	~3.5	~4.0	~6.1
	Average Gain (dB)	~-4.0	~-4.6	~-3.2
	Impedance (Ohm)	50		
	Polarization	Linear		
	Radiation Pattern	Omni-Directional		
	Max Input Power	25		
	Connector Type	SMA-Male Standard (Other Connectors Available)		
Cable Length	300 cm Standard (Any Cable Length Available)			
Cable Type	D302 Standard (Other Cables Available)			

Cable 2	Parameter	Specifications		
	Standards	2G,3G and 4G		
	Band MHz	700/850/900	1700/1800/1900/2100	2600
	Frequency Range	698-960 MHz	1710-2170 MHz	2500-2700 MHz
	Return Loss	~-9.7	~-8.2	~-20.5
	VSWR	~-2.3:1	~-2.3:1	~-1.3:1
	Efficiency (%)	~45.8	~38.0	~47.0
	Peak Gain (dBi)	~3.9	~4.1	~6.1
	Average Gain (dB)	~-3.5	~-4.6	~-3.3
	Impedance (Ohm)	50		
	Polarization	Linear		
	Radiation Pattern	Omni-Directional		
	Max Input Power	25		
	Connector Type	SMA-Male Standard (Other Connectors Available)		
Cable Length	300 cm Standard (Any Cable Length Available)			
Cable Type	D302 Standard (Other Cables Available)			

## Features

- Cable 1 - 2: CELLULAR / LTE - 698-960 MHz - 1710-2170 MHz - 2500-2700 MHz
- Easy mounting: Screw Mount
- Anti-Rotation Mechanism
- Low Profile
- Ground Plane Independent
- Customizable Cable and Connector
- Dimensions 80 × 74 × 25.6 mm
- IP67
- IP69

## Applications

- Fleet Management
- Commercial Transport
- HD Video Monitoring
- Buses, Train & Commercial Applications
- Smart Cities



Maxtena Inc.  
 7361 Calhoun Place, Suite 102  
 Rockville, MD 20855  
 1-877-629-8362  
 info@maxtena.com

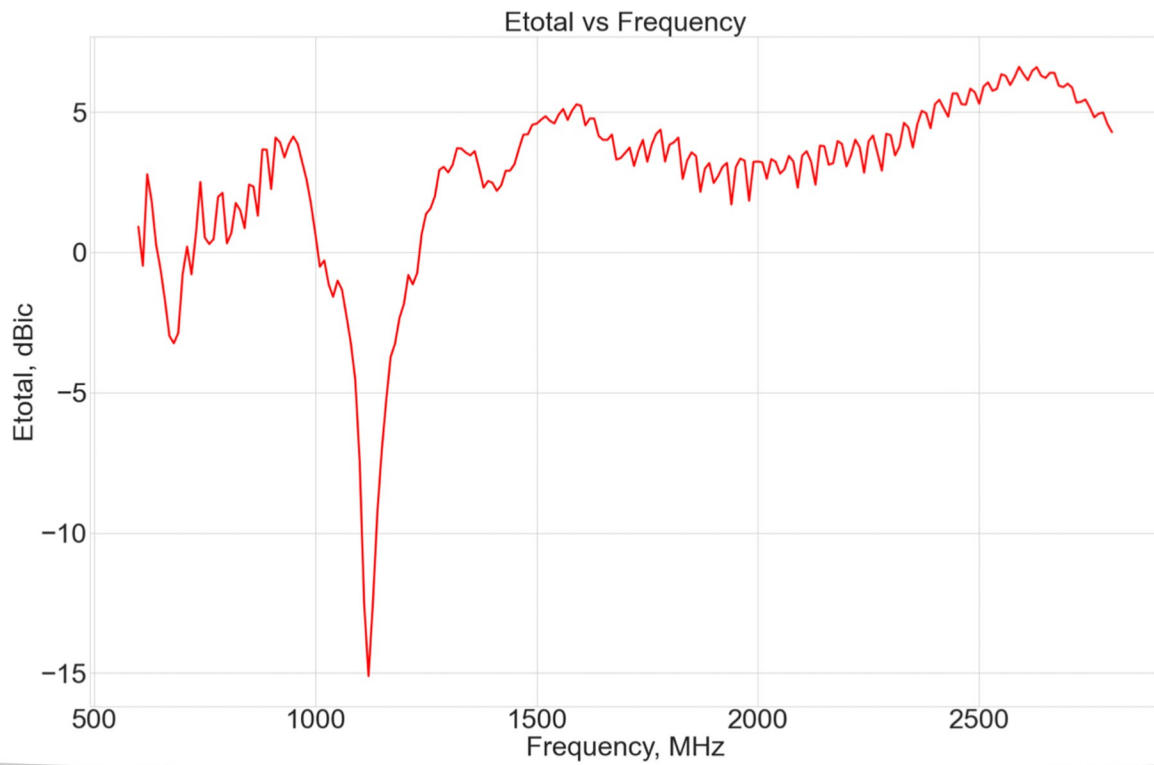
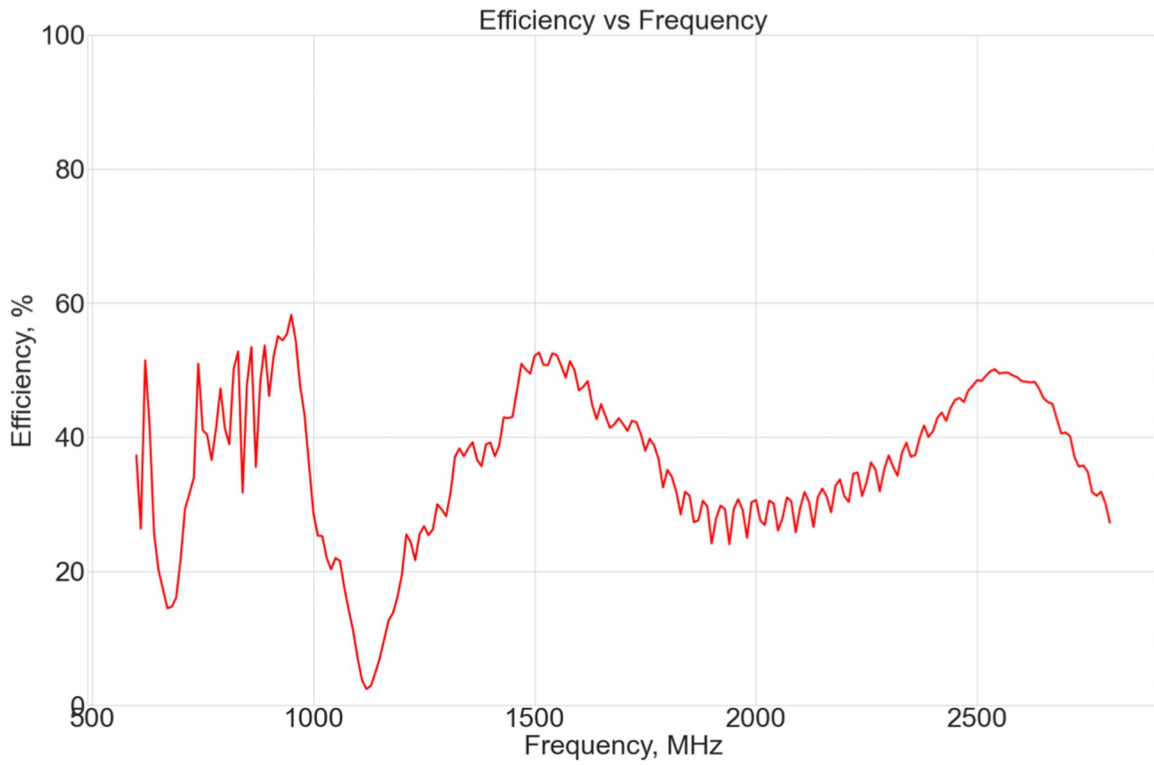
[www.maxtena.com](http://www.maxtena.com)

### Mechanical Specification

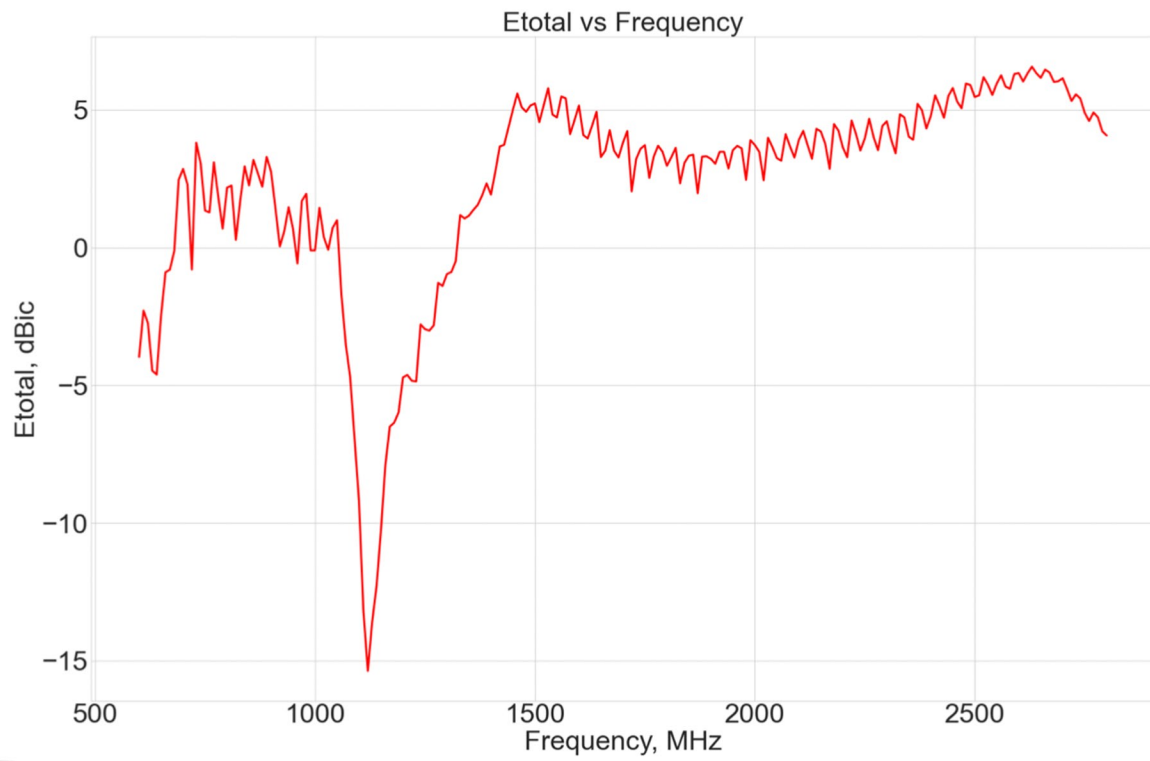
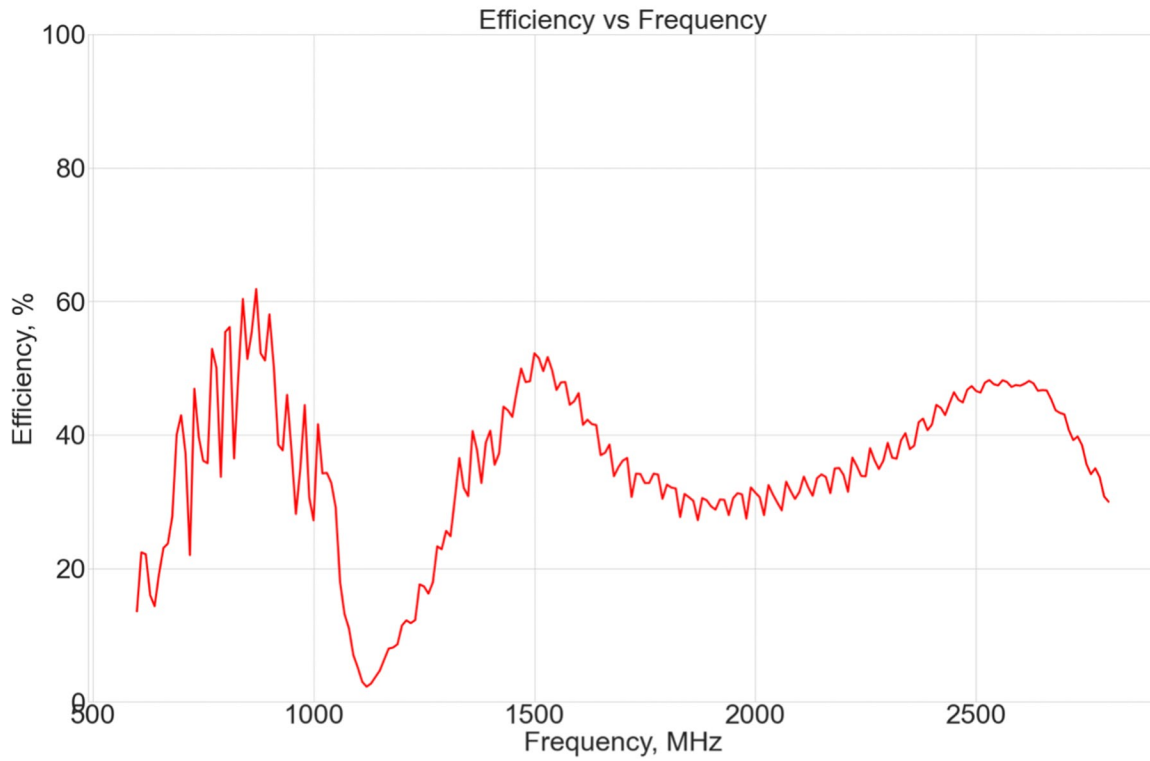
Parameter	Specifications
Antenna Dimensions (mm)	80 × 74 × 25.6
Operating Temperature (C)	-40 to +85
Storage Temperature (C)	-40 to +85
Mounting Type	Screw Mount
Radome/Color	ABS UV Stable/ Black, White
Substance Compliance	RoHS
Certificates	IP67, IP69
Max. Tighten Torque (Nm)	5 Nm

\*Mounted on 30 x 30 x 0.25 cm Metal Plate

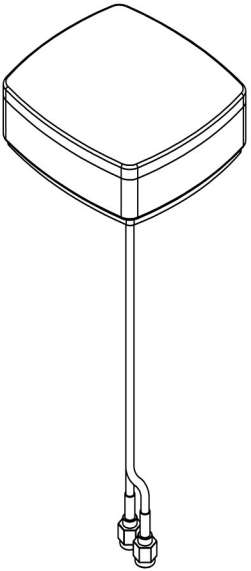
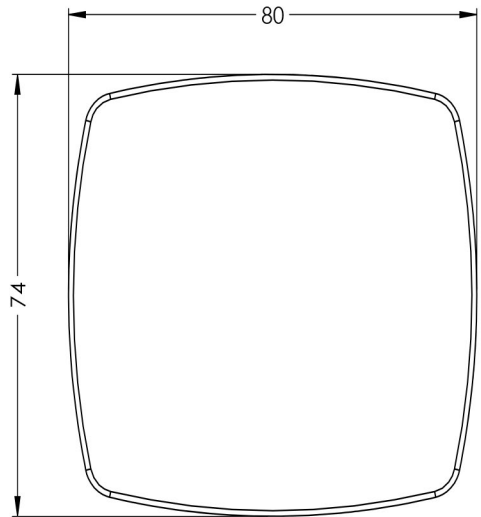
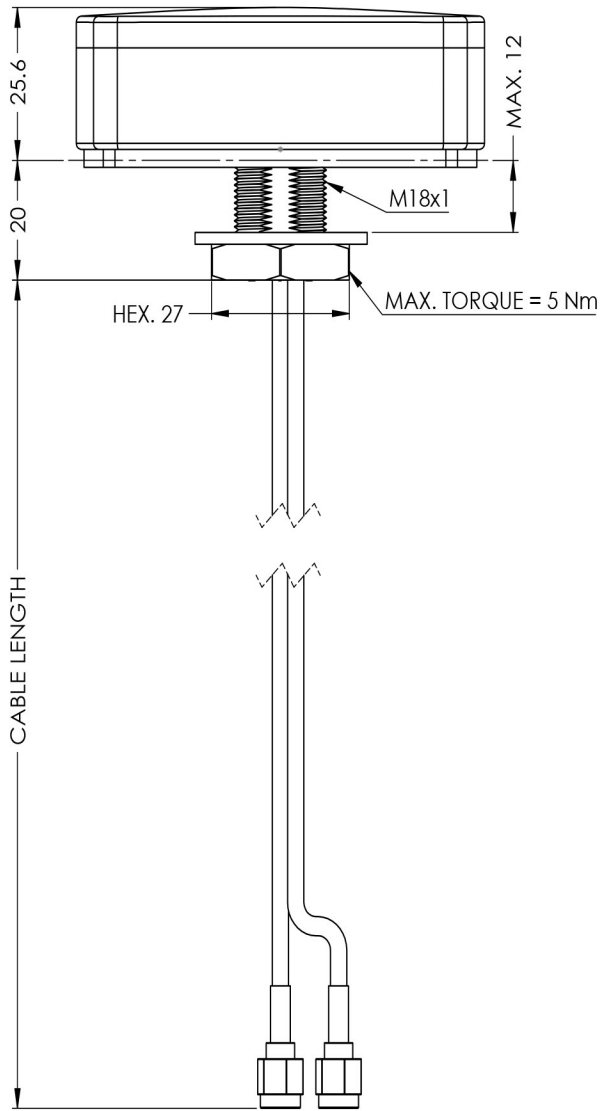
**Cable 1**



**Table 2**

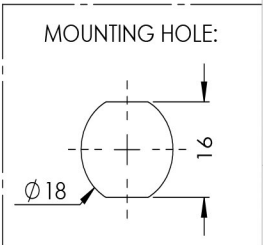


DRAWING REVISION HISTORY			
REV	DESCRIPTION	DATE	BY
A	INITIAL RELEASE	2022-07-15	SZ



**NOTES:**

- FREQUENCY:
  - CABLE 1 (2G, 3G, 4G): 698-960 MHz, 1710-2170 MHz, 2500-2700 MHz
  - CABLE 2 (2G, 3G, 4G): 698-960 MHz, 1710-2170 MHz, 2500-2700 MHz
- CUSTOMIZABLE CABLE AND CONNECTOR TYPE
- MOUNTING TYPE: SCREW MOUNT
- MAX. MOUNTING THICKNESS: 12mm
- DIMENSIONS ARE AFTER MOUNTING
- MATERIALS:
  - RADOME: ABS UV STABLE
  - RADOME COLOR: BLACK or WHITE
- OPERATING TEMPERATURE: -40°C ~ +85°C
- STORAGE TEMPERATURE: -40°C ~ +85°C
- CERTIFICATIONS: IP67, IP69



ITEM 100-00270 REVISION HISTORY			
REV	DESCRIPTION	DATE	BY
1	INITIAL RELEASE	2022-07-15	SZ

100-00270 CONFIGURATION TABLE				
DASH NO	CABLE TYPE	CABLE LENGTH	CONNECTOR TYPE	RADOME COLOR
-01	CABLE 1: D302 CABLE 2: D302	300 cm 300 cm	SMA-MALE SMA-MALE	BLACK

UNLESS OTHERWISE SPECIFIED:	NAME	DATE
DIMENSIONS ARE IN MM	DRAWN	SZ 2022-07-15
TOLERANCES:	CHECKED	ZX 2022-07-15
FRACTIONAL ±	ENG APPR.	NPC 2022-07-15
ANGULAR: MACH ± .5° BEND ±	MFG APPR.	
ONE PLACE DECIMAL ± 1.0	Q.A.	
TWO PLACE DECIMAL ± .50		
INTERPRET GEOMETRIC TOLERANCING PER:		
THIRD ANGLE PROJECTION		
DO NOT SCALE DRAWING		

MAXTENA, INC		
TITLE:		
100-00270		
MEA-2500-LP-SM		
SIZE	DWG. NO.	REV
B	117-00615-01	A
CAGE CODE: 5KQH7	SCALE: NONE	SHEET 1 OF 1

PROPRIETARY AND CONFIDENTIAL  
THE INFORMATION CONTAINED IN THIS DRAWING IS THE SOLE PROPERTY OF MAXTENA, INC. ANY REPRODUCTION IN PART OR AS A WHOLE WITHOUT THE WRITTEN PERMISSION OF MAXTENA, INC IS PROHIBITED.