



MME-04-17-SM

Screw mount antenna bracket with RG174 or LL100 cable and SMA F connector

Part #: 105-00008-01

Mechanical Specifications

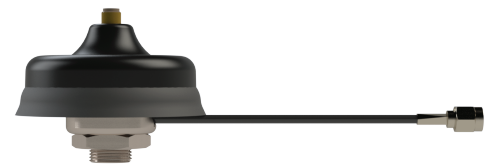
Parameter	Specification
Antenna Dimensions	Ø 60 x 25 mm
Material	ASA - UV stable
Cable type	RG174 or LL100 cable
Weight	103g
Operating environment	-40 °C to +85 °C

Features

- Screw mount bracket with cable and SMA F connector
- Gasket suitable for all types of flat surface
- Suitable for various connector types
- Equipped with RG174 or LL100 cable
- Possible frequency transfer up to 6 GHz
- Robust construction
- Mounting hole 19 mm/square 15x15 mm

Applications

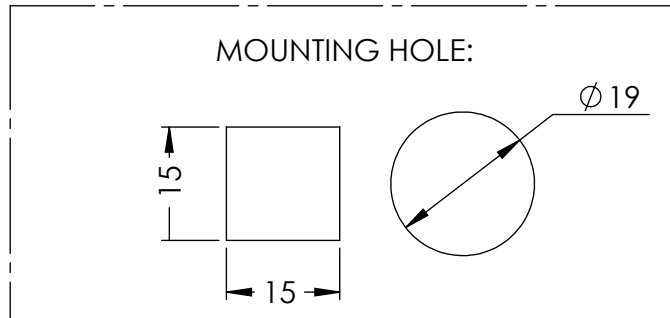
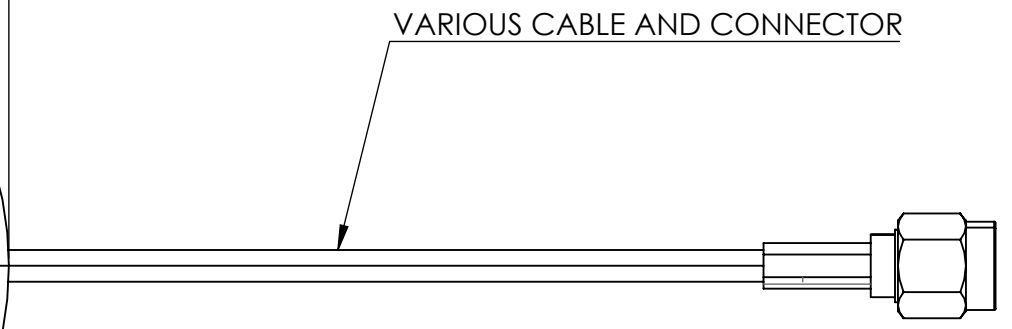
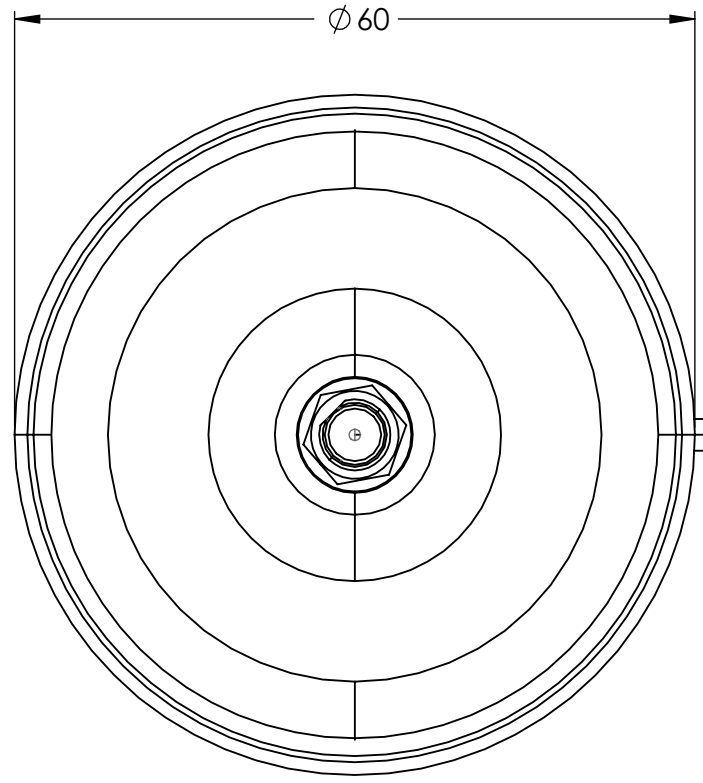
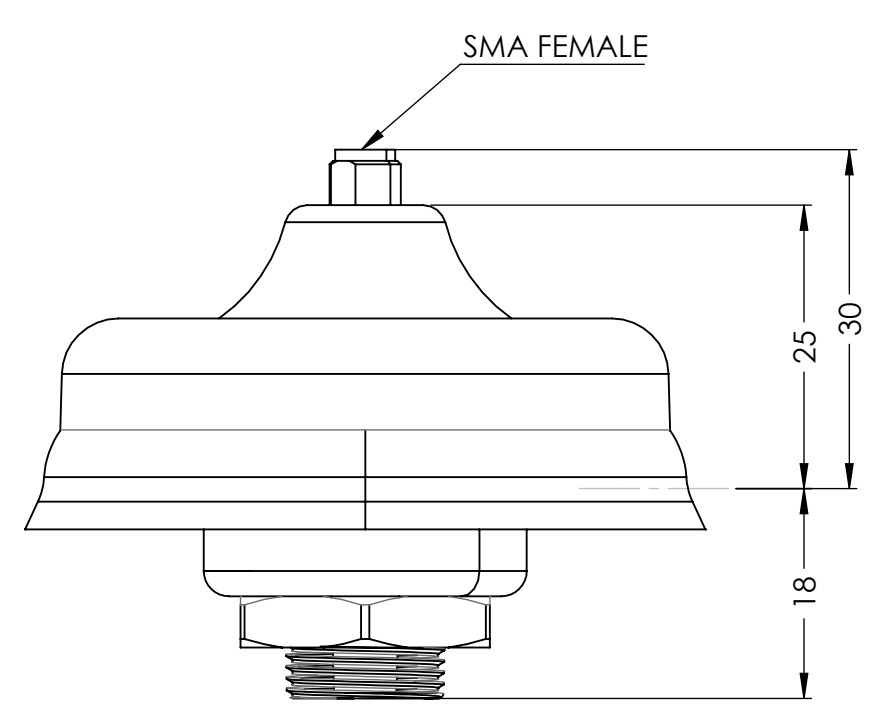
- Screw mount
- Fits a variety of antenna types



DRAWING REVISION HISTORY			
REV	DESCRIPTION	DATE	BY
A	INITIAL RELEASE	2021-06-10	SZ

NOTES:

1. DIMENSIONS ARE AFTER MOUNTING
2. GASKET SUITABLE FOR ALL TYPES OF FLAT SURFACE
3. SUITABLE FOR VARIOUS CONNECTOR TYPES (UPON REQUEST)
4. EQUIPPED WITH RG174 OR LL100 CABLE
5. MOUNTING HOLE ϕ 19 mm/SQUARE 15 X 15 mm



ITEM 105-00008 REVISION HISTORY			
REV	DESCRIPTION	DATE	BY
1	INITIAL RELEASE	2021-06-10	SZ

105-00008 CONFIGURATION TABLE			
DASH NO	CABLE TYPE	CABLE LENGTH	CONNECTOR TYPE
-01	RG174	2m	SMA MALE NICKEL

UNLESS OTHERWISE SPECIFIED:

DIMENSIONS ARE IN MM
TOLERANCES:
FRACTIONAL \pm
ANGULAR: MACH \pm .5° BEND \pm
ONE PLACE DECIMAL \pm 1.0
TWO PLACE DECIMAL \pm 0.50

INTERPRET GEOMETRIC TOLERANCING PER:

THIRD ANGLE PROJECTION
DO NOT SCALE DRAWING

	NAME	DATE
DRAWN	SZ	2021-06-10
CHECKED	ZX	2021-06-10
ENG APPR.	NPC	2021-06-10
MFG APPR.		
	Q.A.	

CAD MAINTAINED. CHANGES SHALL BE INCORPORATED BY THE DESIGN ACTIVITY.

MAXTENA, INC

TITLE: 105-00008

MMB-04-17-SM

SIZE	DWG. NO.	REV
B	117-00451-01	A

CAGE CODE: 5KQH7 SCALE: NONE SHEET 1 OF 1