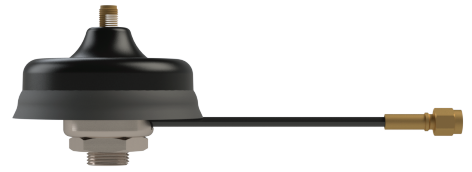




MME-04-18-SM

Screw mount bracket with cable and SMA F connector

Part #: 105-00012-01



Mechanical Specifications

Parameter	Specification
Antenna Dimensions	Ø 60 x 25 mm
Material	ASA - UV stable
Cable type	D302 cable
Weight	115g
Operating environment	-40 °C to +85 °C

Features

- Screw mount bracket with cable and SMA F connector
- Gasket suitable for all types of flat surface
- Suitable for various connector types
- Equipped with D302 cable
- High efficiency
- Possible frequency transfer up to 6 GHz
- Robust construction
- Mounting hole 19 mm/square 15x15 mm

Applications

- Screw mount
- Fits a variety of antenna types



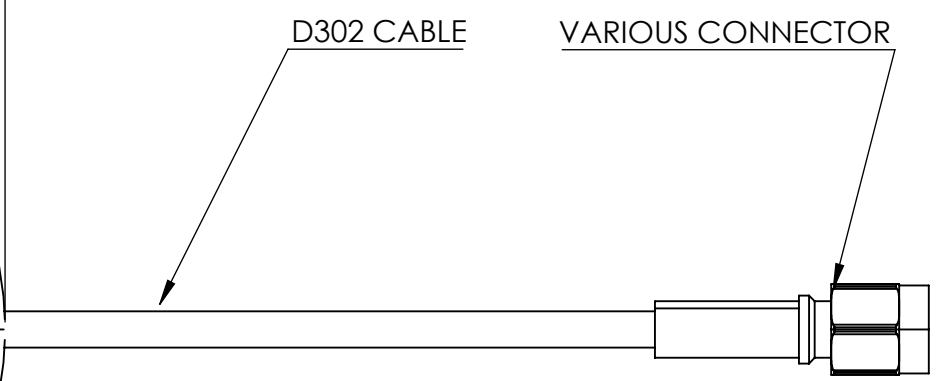
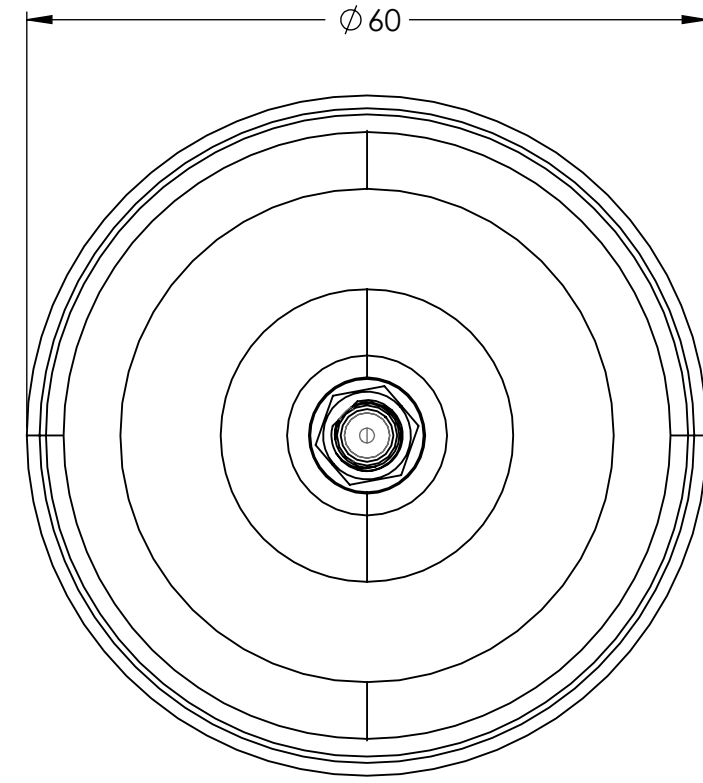
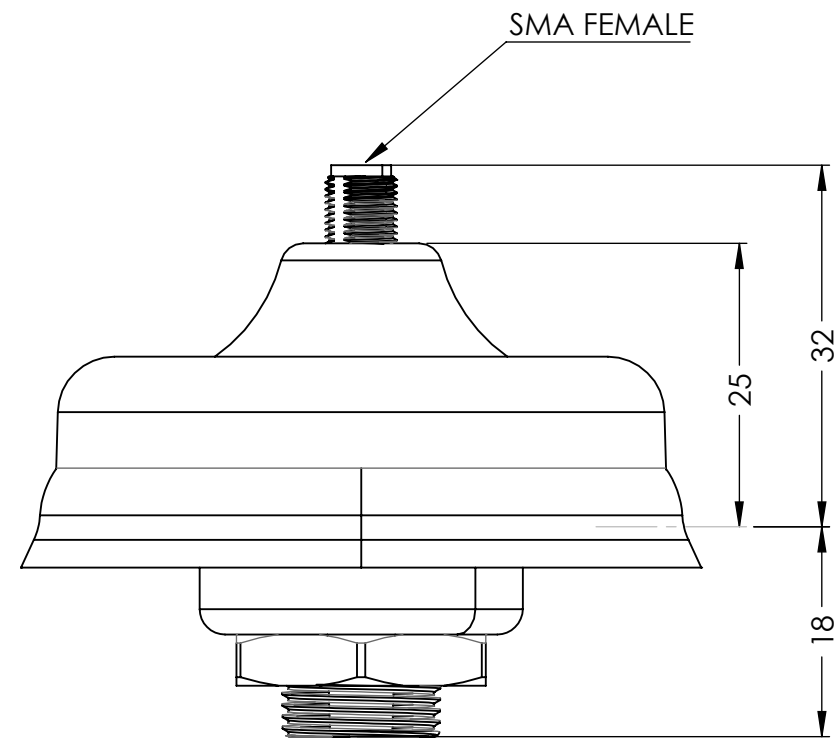
Maxtena Inc.
7361 Calhoun Place, Suite 102
Rockville, MD 20855
1-877-629-8362
info@maxtena.com

www.maxtena.com

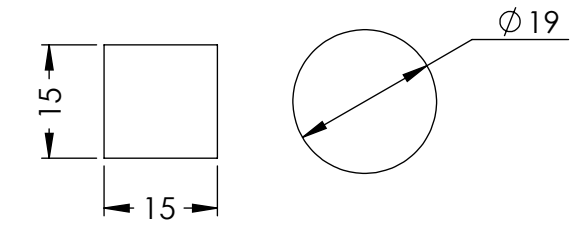
NOTES:

1. DIMENSIONS ARE AFTER MOUNTING
2. GASKET SUITABLE FOR ALL TYPES OF FLAT SURFACE
3. SUITABLE FOR VARIOUS CONNECTOR TYPES (UPON REQUEST)
4. EQUIPED WITH D302 CABLE
5. MOUNTING HOLE ϕ 19 mm/SQUARE 15 x 15 mm

DRAWING REVISION HISTORY			
REV	DESCRIPTION	DATE	BY
A	INITIAL RELEASE	2021-06-10	SZ



MOUNTING HOLE:



ITEM 105-00012 REVISION HISTORY			
REV	DESCRIPTION	DATE	BY
1	INITIAL RELEASE	2021-06-10	SZ

105-00012 CONFIGURATION TABLE		
DASH NO	CABLE LENGTH	CONNECTOR TYPE
-01	2m	SMA MALE GOLD

UNLESS OTHERWISE SPECIFIED:
 DIMENSIONS ARE IN MM
 TOLERANCES:
 FRACTIONAL: ±
 ANGULAR: MACH ± .5° BEND ±
 ONE PLACE DECIMAL ± 1.0
 TWO PLACE DECIMAL ± 0.50

INTERPRET GEOMETRIC TOLERANCING PER:

THIRD ANGLE PROJECTION
DO NOT SCALE DRAWING

	NAME	DATE
DRAWN	SZ	2021-06-10
CHECKED	ZX	2021-06-10
ENG APPR.	NPC	2021-06-10
MFG APPR.		
	Q.A.	

CAD MAINTAINED. CHANGES SHALL BE INCORPORATED BY THE DESIGN ACTIVITY.

MAXTENA, INC

TITLE: 105-00012
MMB-04-18-SM

SIZE	DWG. NO.	REV
B	117-00452-01	A

CAGE CODE: 5KQH7 SCALE: NONE SHEET 1 OF 1

PROPRIETARY AND CONFIDENTIAL
 THE INFORMATION CONTAINED IN THIS DRAWING IS THE SOLE PROPERTY OF MAXTENA, INC. ANY REPRODUCTION IN PART OR AS A WHOLE WITHOUT THE WRITTEN PERMISSION OF MAXTENA, INC IS PROHIBITED.