



MME-04-19-MM

Magnetic mount bracket with cable and SMA Male connector

Part #: 105-00009-01



Mechanical Specifications

Parameter	Specification
Antenna Dimensions	Ø 59 x 24 mm
Cable type	RG174 or LL100 cable

Features

- Gasket suitable for magnetic surface
- Suitable for connector mount
- Antenna Equipped with RG174 or LL100 cable
- Possible frequency transfer up to 6 GHz
- Robust construction
- Strong magnet for metal surface
- Mounting hole 19 mm/square 15x15 mm

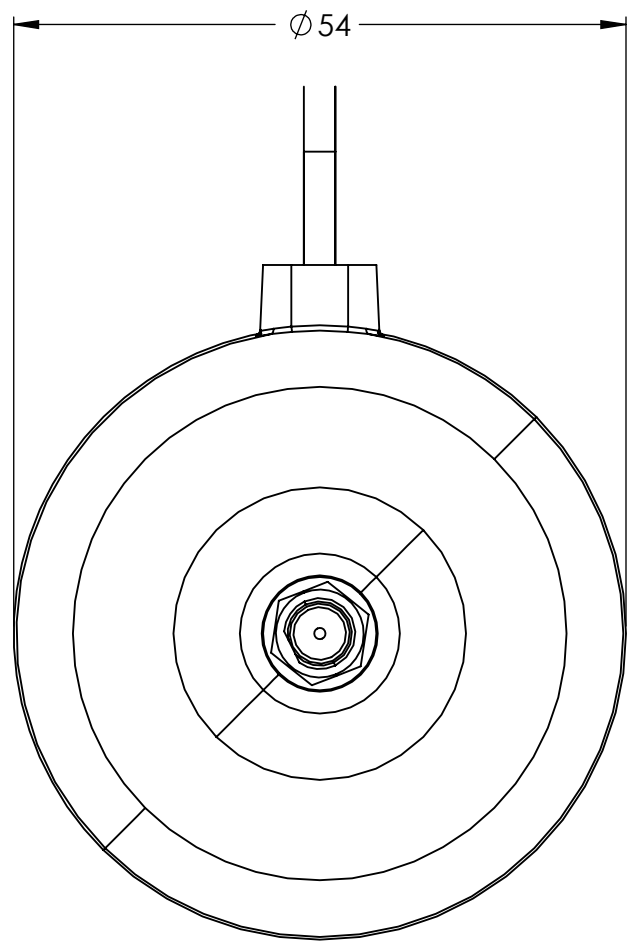
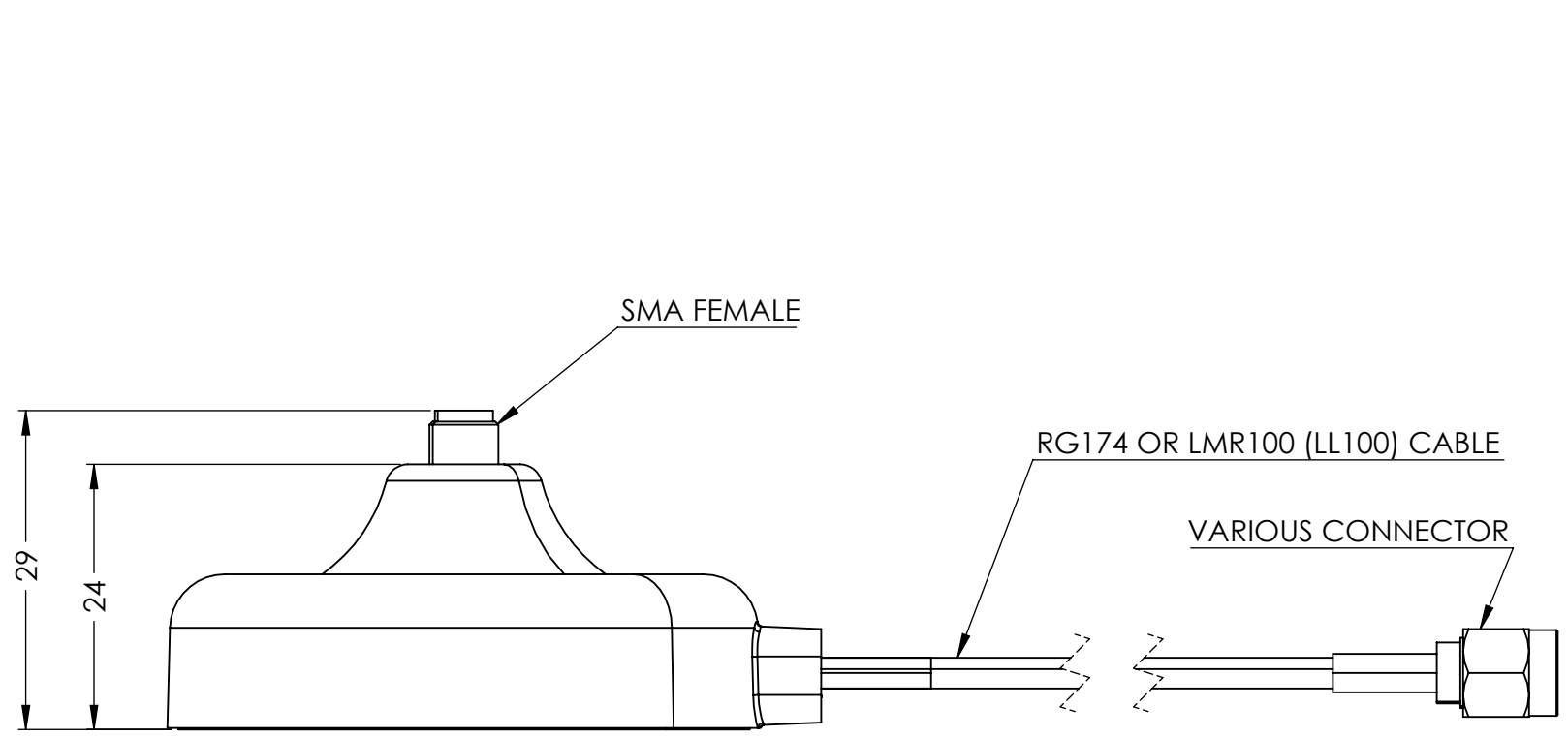
Applications

- Magnet mount
- Fits a variety of antennas types

DRAWING REVISION HISTORY			
REV	DESCRIPTION	DATE	BY
A	INITIAL RELEASE	2021-06-10	SZ

NOTES:

- GASKET SUITABLE FOR MAGNETIC SURFACE
- EQUIPPED WITH RG174 OR LL100 CABLE



ITEM 105-00009 REVISION HISTORY			
REV	DESCRIPTION	DATE	BY
1	INITIAL RELEASE	2021-06-10	SZ

105-00009 CONFIGURATION TABLE			
DASH NO	CABLE TYPE	CABLE LENGTH	CONNECTOR TYPE
-01	RG174	2m	SMA MALE

UNLESS OTHERWISE SPECIFIED:

DIMENSIONS ARE IN MM
 TOLERANCES:
 FRACTIONAL ±
 ANGULAR: MACH ± .5° BEND ±
 ONE PLACE DECIMAL ± 1.0
 TWO PLACE DECIMAL ± 0.50

INTERPRET GEOMETRIC TOLERANCING PER:

THIRD ANGLE PROJECTION
DO NOT SCALE DRAWING

	NAME	DATE
DRAWN	SZ	2021-06-10
CHECKED	ZX	2021-06-10
ENG APPR.	NPC	2021-06-10
MFG APPR.		
Q.A.		

CAD MAINTAINED. CHANGES SHALL BE INCORPORATED BY THE DESIGN ACTIVITY.

MAXTENA, INC

TITLE: 105-00009
MMB-04-19-MM

SIZE B DWG. NO. 117-00453-01 REV A

CAGE CODE: 5KQH7 SCALE: NONE SHEET 1 OF 1