



MME-04-20-MM

Magnetic mount bracket with cable and SMA F connector

Part #: 105-00013-01



Mechanical Specifications

| Parameter | Specification |
|--------------------|---------------|
| Antenna Dimensions | Ø 54 x 24 mm |
| Cable type | D302 cable |

Features

- Gasket suitable for magnetic surface
- Suitable for various connector mount antenna
- Equipped with D302 cable
- Possible frequency transfer up to 6 GHz
- Robust construction
- Strong magnet for metal surface
- Mounting hole 19 mm/square 15x15 mm



Applications

- Magnet mount
- Fits a variety of antennas types



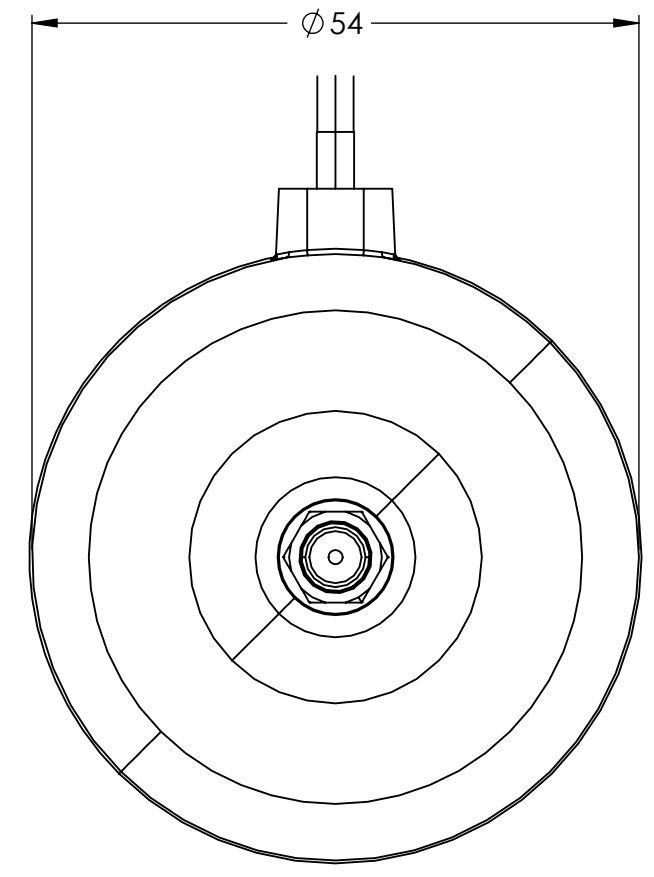
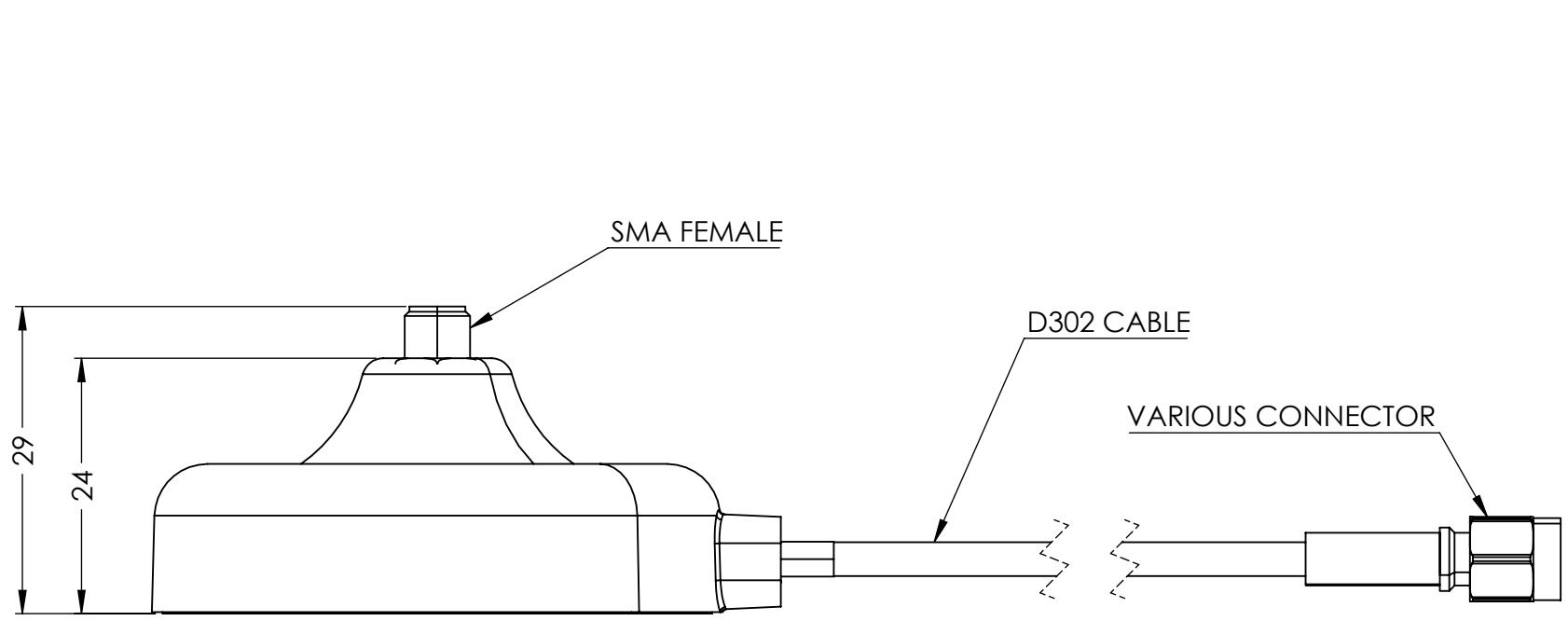
Maxtena Inc.
7361 Calhoun Place, Suite 102
Rockville, MD 20855
1-877-629-8362
info@maxtena.com

www.maxtena.com

| DRAWING REVISION HISTORY | | | |
|--------------------------|-----------------|------------|----|
| REV | DESCRIPTION | DATE | BY |
| A | INITIAL RELEASE | 2021-06-10 | SZ |

NOTES:

- GASKET SUITABLE FOR MAGNETIC SURFACE
- SUITABLE FOR VARIOUS CONNECTOR MOUNT ANTENNA
- EQUIPPED WITH D302 CABLE



| ITEM 105-00013 REVISION HISTORY | | | |
|---------------------------------|-----------------|------------|----|
| REV | DESCRIPTION | DATE | BY |
| 1 | INITIAL RELEASE | 2021-06-10 | SZ |

| 105-00013 CONFIGURATION TABLE | | |
|-------------------------------|--------------|----------------|
| DASH NO | CABLE LENGTH | CONNECTOR TYPE |
| -01 | 2m | SMA MALE GOLD |

UNLESS OTHERWISE SPECIFIED:

DIMENSIONS ARE IN MM
 TOLERANCES:
 FRACTIONAL ±
 ANGULAR: MACH ± .5° BEND ±
 ONE PLACE DECIMAL ± 1.0
 TWO PLACE DECIMAL ± 0.50

INTERPRET GEOMETRIC TOLERANCING PER:

THIRD ANGLE PROJECTION
DO NOT SCALE DRAWING

| | NAME | DATE |
|-----------|------|------------|
| DRAWN | SZ | 2021-06-10 |
| CHECKED | ZX | 2021-06-10 |
| ENG APPR. | NPC | 2021-06-10 |
| MFG APPR. | | |
| | Q.A. | |

CAD MAINTAINED. CHANGES SHALL BE INCORPORATED BY THE DESIGN ACTIVITY.

MAXTENA, INC

TITLE:
105-00013
MMB-04-20-MM

SIZE B DWG. NO. 117-00454-01 REV A

CAGE CODE: 5KQH7 SCALE: NONE SHEET 1 OF 1