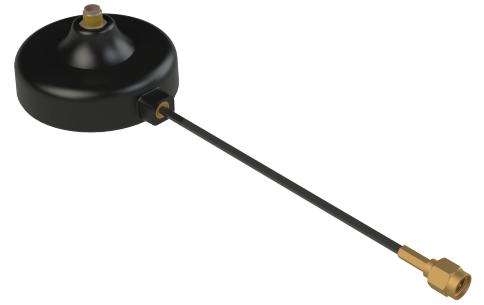




# MME-04-21-AM

Adhesive/ magnetic mount bracket with cable and SMA F connector

Part #: 105-00010-01



## Mechanical Specifications

Parameter	Specification
Antenna Dimensions	Ø 54 x 24 mm
Cable type	RG174 or LL100

## Features

- Suitable for connector mount antenna
- Equipped with RG174 or LL100 cable
- Possible frequency transfer up to 6 GHz
- Robust construction
- Strong magnet for metal surface
- Mounting hole 19 mm / square 15x15 mm
- Double side adhesive sticker included

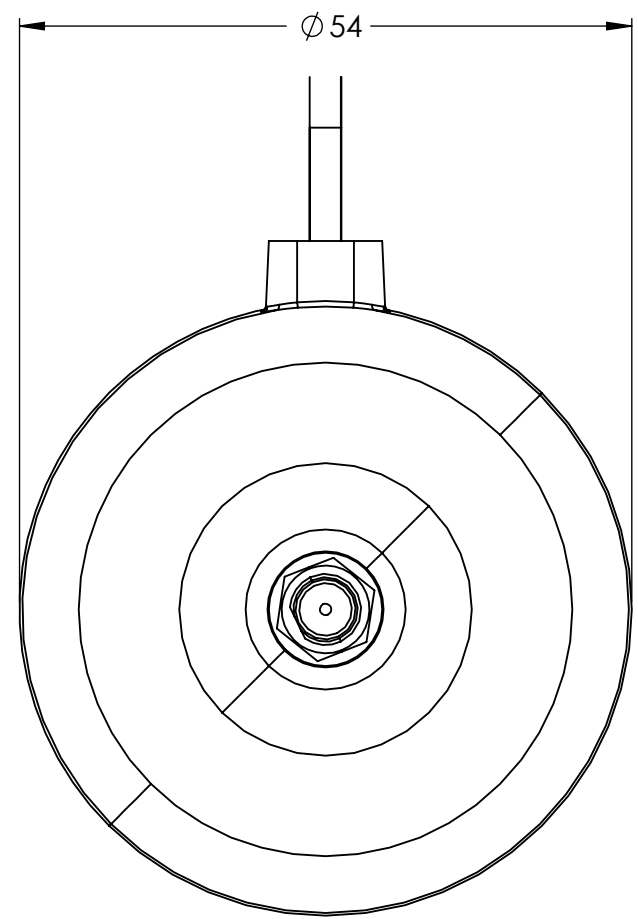
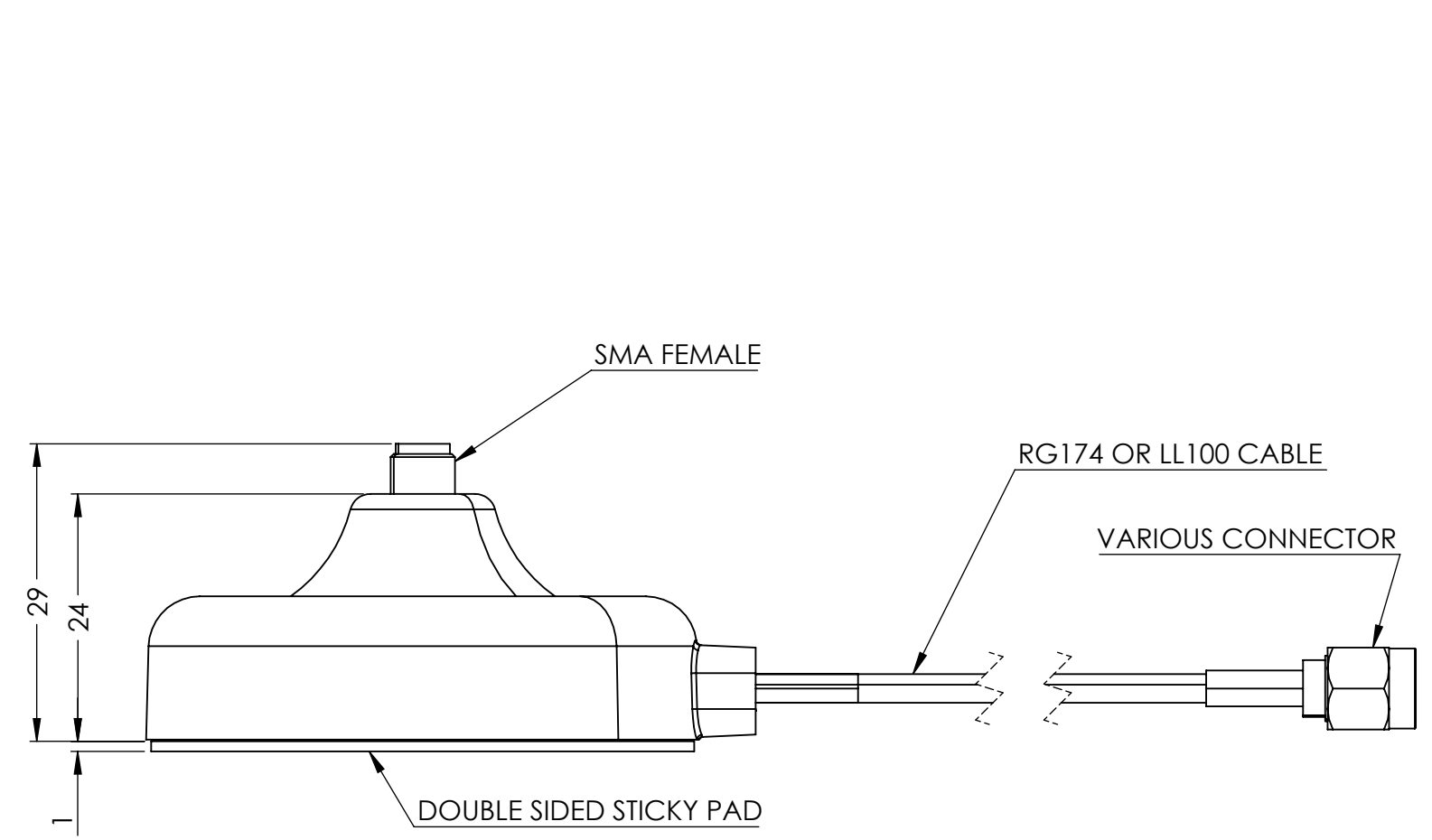
## Applications

- Magnet mount
- Fits a variety of antennas types
- Adhesive mount.

DRAWING REVISION HISTORY			
REV	DESCRIPTION	DATE	BY
A	INITIAL RELEASE	2021-06-10	SZ

NOTES:

1. STRONG MAGNET FOR METAL SURFACE
2. EQUIPPED WITH RG174 OR LL100 CABLE
3. DOUBLE SIDED ADHESIVE STICKER INCLUDED



ITEM 105-00010 REVISION HISTORY			
REV	DESCRIPTION	DATE	BY
1	INITIAL RELEASE	2021-06-10	SZ

105-00010 CONFIGURATION TABLE			
DASH NO	CABLE TYPE	CABLE LENGTH	CONNECTOR TYPE
-01	RG174	2m	SMA MALE GOLD

UNLESS OTHERWISE SPECIFIED:  
 DIMENSIONS ARE IN MM  
 TOLERANCES:  
 FRACTIONAL ±  
 ANGULAR: MACH ± .5° BEND ±  
 ONE PLACE DECIMAL ± 1.0  
 TWO PLACE DECIMAL ± 0.50

INTERPRET GEOMETRIC TOLERANCING PER:

THIRD ANGLE PROJECTION  
DO NOT SCALE DRAWING

	NAME	DATE
DRAWN	SZ	2021-06-10
CHECKED	ZX	2021-06-10
ENG APPR.	NPC	2021-06-10
MFG APPR.		
Q.A.		

CAD MAINTAINED. CHANGES SHALL BE INCORPORATED BY THE DESIGN ACTIVITY.

MAXTENA, INC

TITLE:  
 105-00010  
 MMB-04-21-AM

SIZE <b>B</b>	DWG. NO. <b>117-00455-01</b>	REV <b>A</b>
------------------	---------------------------------	-----------------

CAGE CODE: 5KQH7      SCALE: NONE      SHEET 1 OF 1