



MMB-04-23-AM

Magnetic/Adhesive mount bracket
mount with SMA Female

Part #: 105-00014-01



Mechanical Specifications

Parameter	Specification
Antenna Dimensions	Ø 54 x 24 mm
Cable type	RG174 or LL100

Features

- Suitable for magnetic/Adhesive surface
- Suitable for connector mount antenna
- Equipped with D302 cable
- Possible frequency transfer up to 6 GHz
- Robust construction
- Strong magnet for metal surface
- Double side adhesive sticker included
- Mounting hole 19 mm/square 15x15 mm

Applications

- Double side adhesive
- Fits a variety of antennas types



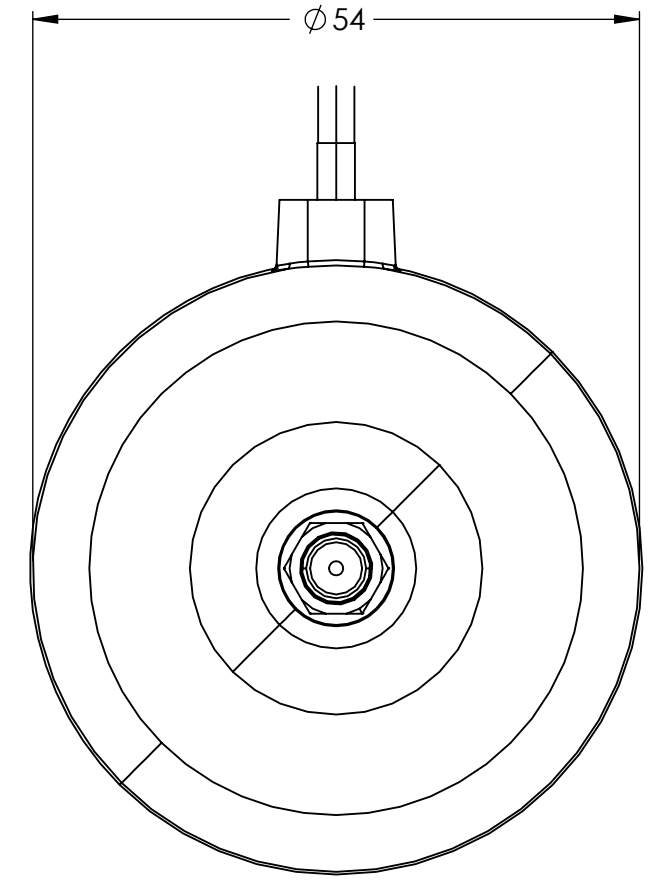
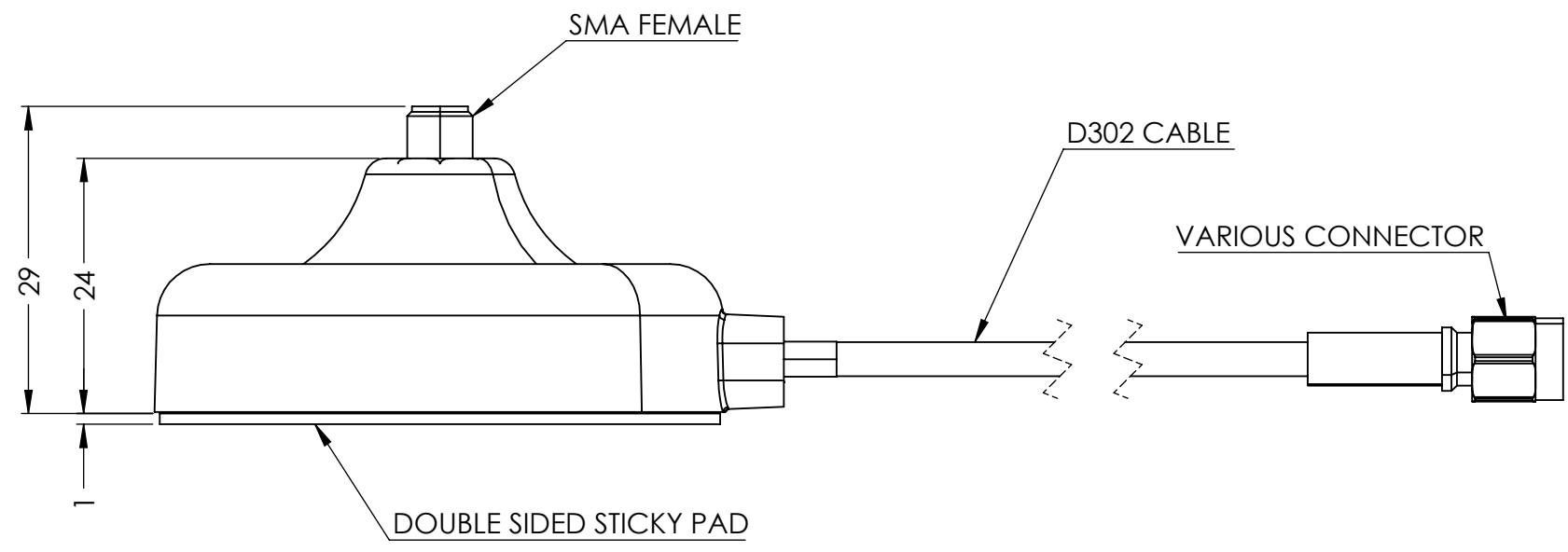
Maxtena Inc.
7361 Calhoun Place, Suite 102
Rockville, MD 20855
1-877-629-8362
info@maxtena.com

www.maxtena.com

DRAWING REVISION HISTORY			
REV	DESCRIPTION	DATE	BY
A	INITIAL RELEASE	2021-06-10	SZ

NOTES:

1. STRONG MAGNET FOR METAL SURFACE
2. EQUIPPED WITH D302 CABLE
3. DOUBLE SIDED ADHESIVE STICKER INCLUDED



ITEM 105-00014 REVISION HISTORY			
REV	DESCRIPTION	DATE	BY
1	INITIAL RELEASE	2021-06-10	SZ

105-00014 CONFIGURATION TABLE		
DASH NO	CABLE LENGTH	CONNECTOR TYPE
-01	2m	SMA MALE GOLD

UNLESS OTHERWISE SPECIFIED:
 DIMENSIONS ARE IN MM
 TOLERANCES:
 FRACTIONAL ±
 ANGULAR: MACH ± .5° BEND ±
 ONE PLACE DECIMAL ± 1.0
 TWO PLACE DECIMAL ± 0.50

	NAME	DATE
DRAWN	SZ	2021-06-10
CHECKED	ZX	2021-06-10
ENG APPR.	NPC	2021-06-10
MFG APPR.		
	Q.A.	

INTERPRET GEOMETRIC TOLERANCING PER:

 THIRD ANGLE PROJECTION
 DO NOT SCALE DRAWING

CAD MAINTAINED. CHANGES SHALL BE INCORPORATED BY THE DESIGN ACTIVITY.

MAXTENA, INC

TITLE:
 105-00014
 MMB-04-23-AM

SIZE	DWG. NO.	REV
B	117-00457-01	A

CAGE CODE: 5KQH7 SCALE: NONE SHEET 1 OF 1