



# MME-01-10-W

Wall mount Bracket

Part #: 311-00051-01

## Mechanical Specifications

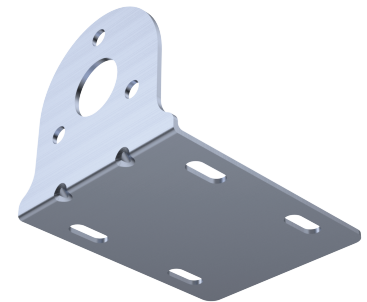
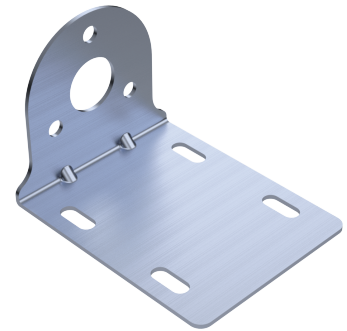
Parameter	Specification
Material	Q235 and iron
M4 Screw Material	Q235
Weight	400g
Operating environment	-40 to 85°C

## Features

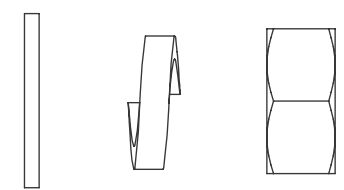
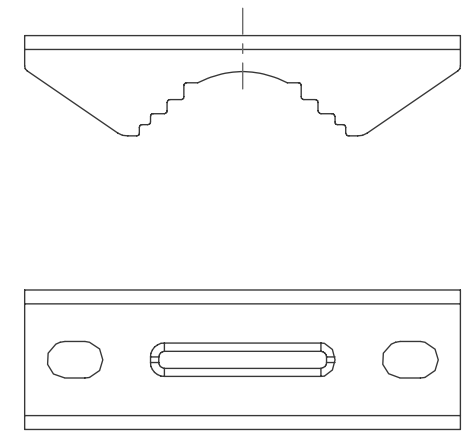
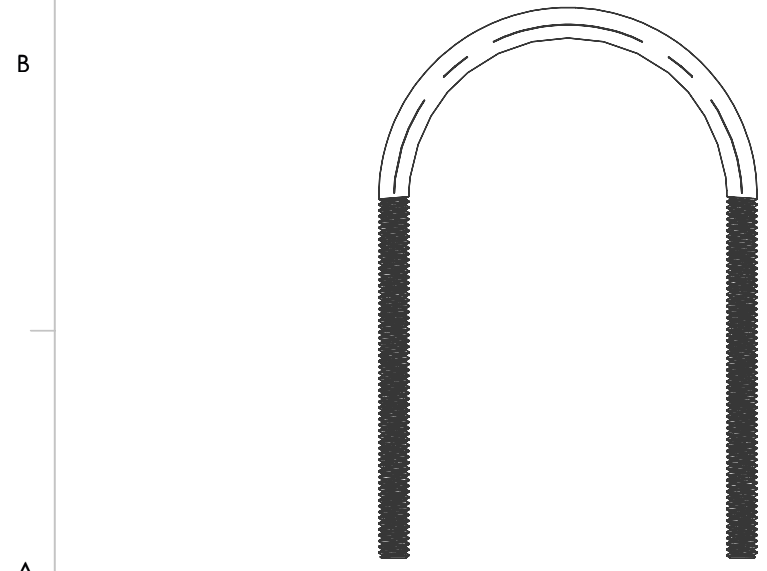
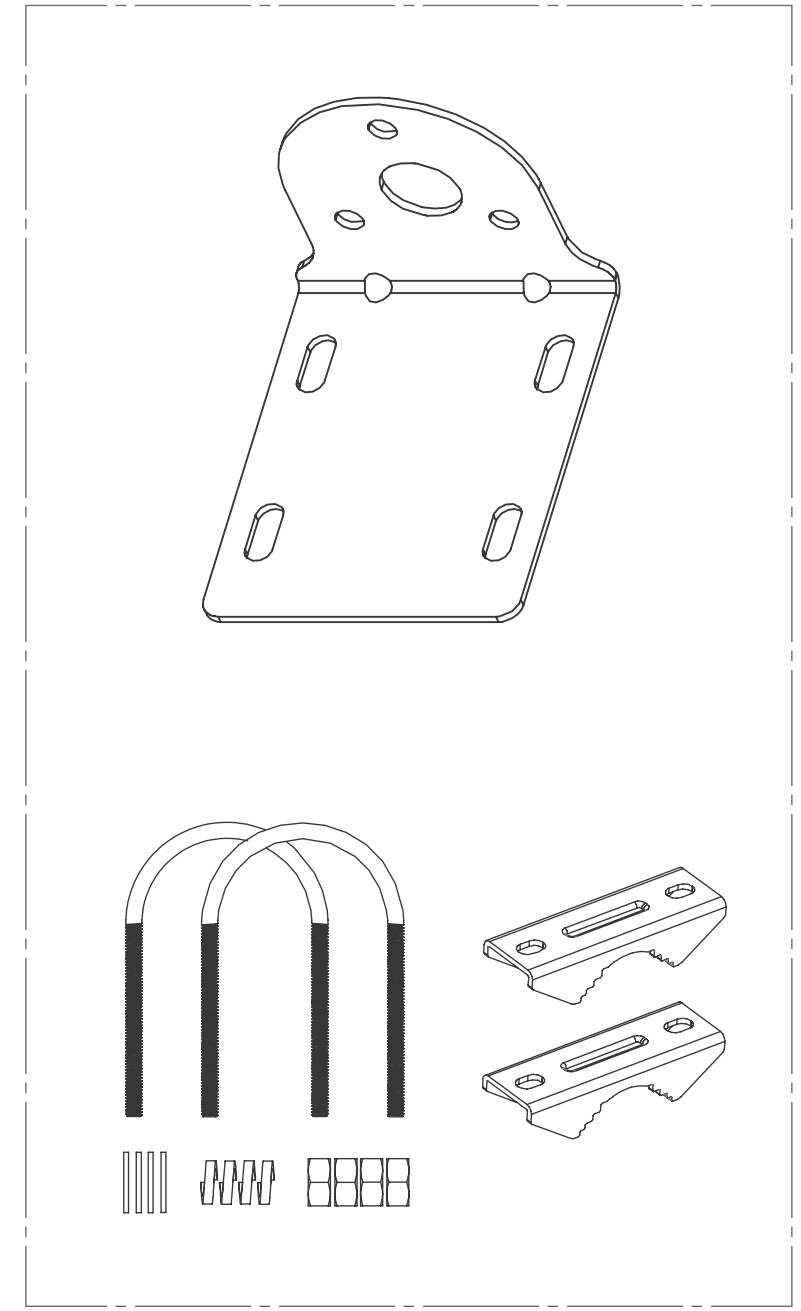
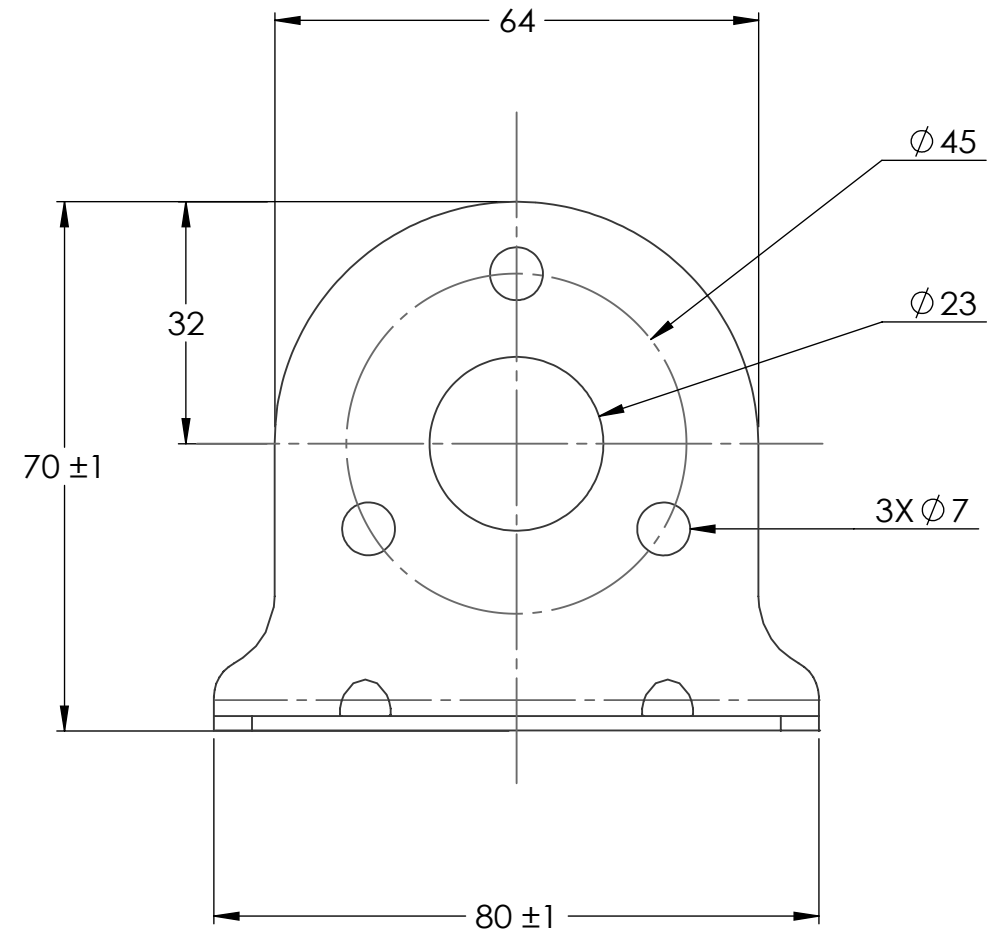
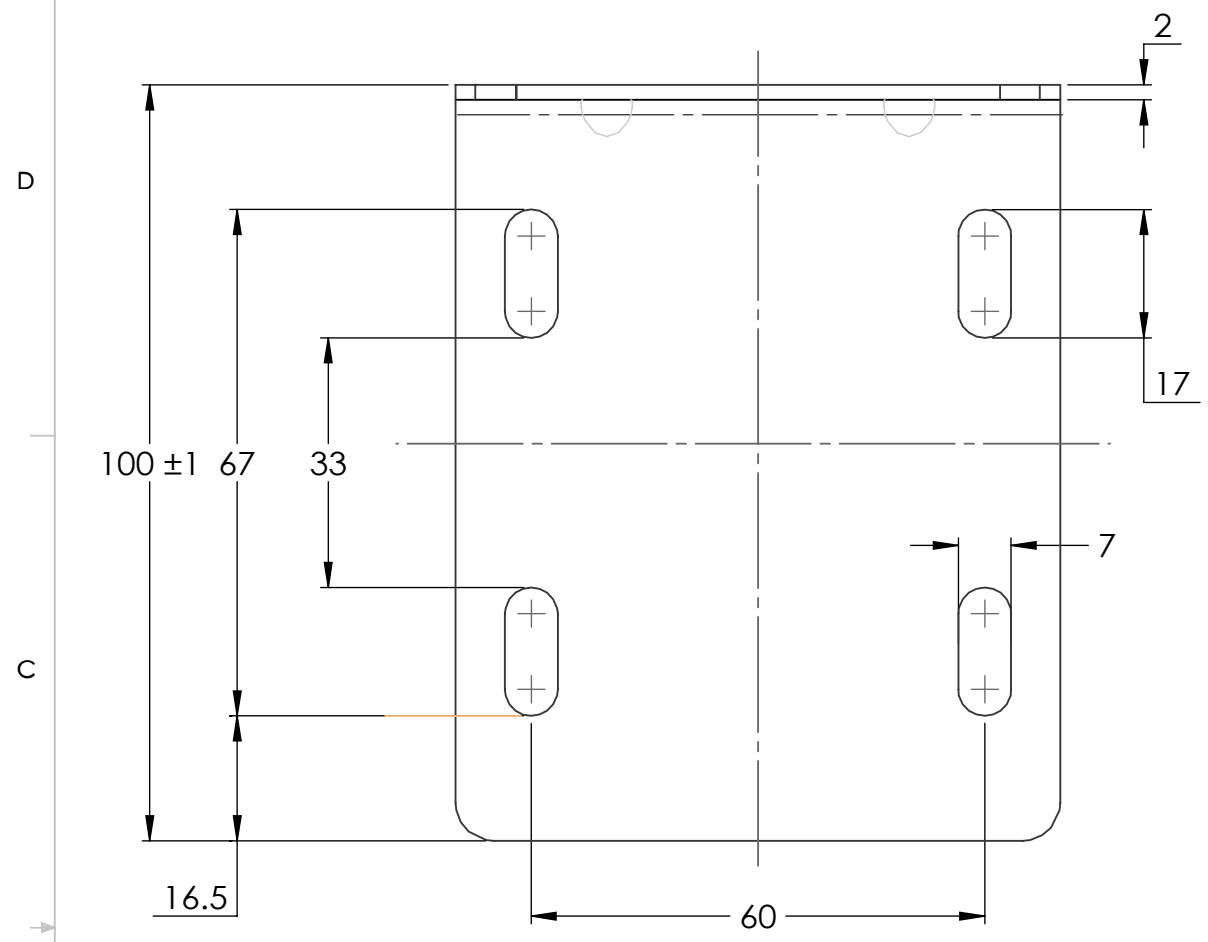
- Easy to mount
- Wall mount Antenna
- Very light: 30g
- ROHS Compliant
- Robust design

## Application

- Wall mounting
- Fits a variety of antenna types



DRAWING REVISION HISTORY			
REV	DESCRIPTION	DATE	BY
A	INITIAL RELEASE	2021-06-23	SZ



UNLESS OTHERWISE SPECIFIED:	NAME	DATE
DIMENSIONS ARE IN MM	DRAWN	SZ 2021-06-23
TOLERANCES:	CHECKED	ZX 2021-06-23
FRACTIONAL ±	ENG APPR.	NPC 2021-06-23
ONE PLACE DECIMAL ± .2	MFG APPR.	
TWO PLACE DECIMAL ± .10	Q.A.	
INTERPRET GEOMETRIC TOLERANCING PER:	CAD MAINTAINED. CHANGES SHALL BE INCORPORATED BY THE DESIGN ACTIVITY.	
	DO NOT SCALE DRAWING	

MAXTENA, INC		
TITLE:		
311-00051-01		
MMB-01-10		
SIZE	DWG. NO.	REV
B	117-00447-01	A
CAGE CODE: 5KQH7	SCALE: NONE	SHEET 1 OF 1

ITEM 311-00051-01 REVISION HISTORY			
REV	DESCRIPTION	DATE	BY
1	INITIAL RELEASE	2021-06-23	SZ

PROPRIETARY AND CONFIDENTIAL

THE INFORMATION CONTAINED IN THIS DRAWING IS THE SOLE PROPERTY OF MAXTENA, INC. ANY REPRODUCTION IN PART OR AS A WHOLE WITHOUT THE WRITTEN PERMISSION OF MAXTENA, INC IS PROHIBITED.

8 7 6 5 4 3 2 1

D  
C  
B  
A

D  
C  
B  
A

8 7 6 5 4 3 2 1