



# MEAX-GG-MM

## GPS/GLONASS Magnetic Mount

Part #: 100-00254-01

### Description

The MEA-GG-MM is a multi-frequency, high accuracy, GNSS antenna for the GPS & GLONASS bands. The antenna's excellent radiation pattern, exceptional out-of-band rejection, and low noise figure ensures optimal performance of GNSS systems. It features a 3 m cable with an integrated SMA, SMB, Fakra or MCX connector (customer choice). This low-profile magnetic mount is ideal for robotics, rail, UAV, industrial and IOT applications. This antenna offers an ultra-low-profile design with easy mounting and customizable cables and connector options. The MEA-GG-MM is IP67 rated.



### Electrical Specifications

GPS/GLONASS Antenna - Passive Parameters	Parameter	Specifications	
	Standards	GPS/QZSS/Galileo	GLONASS
Band (MHz)	1575	1602	
Frequency Range	1575.42 MHz	1598-1610 MHz	
Return Loss (dB)	~21.8dB	<=-15.7dB	
VSWR	<=1.1:1dB	<=1.4:1dB	
Efficiency (%)	~65	~68	
Peak Gain (dBiC)	~3.6	~3.9	
Average Gain (dB)	~1.8	~1.6	
Impedance (Ohm)	50		
Radiation Pattern	Hemispherical		

GPS/GLONASS Antenna - Active Parameters	Parameter	Specifications	
	Standards	GPS/QZSS/Galileo	GLONASS
Band (MHz)	1575	1602	
Frequency Range	1575.42 MHz	1598-1610 MHz	
Passive Gain (dBi)	~2.0	~2.9	
Impedance (Ohm)	50		
VSWR	<1.2:1		
Radiation Pattern	Hemispherical		
Polarization	RHCP		
Saw Filter	Pre-Filter		
Active Gain (dB)	26 @ 3V, 28 @ 5V		
Voltage (V)	2.7 - 5.5		
Current (mA)	4 @ 2.7V		
Power Consumption (mW)	138 Max		
Connector Type	SMA-Male Standard (Other Connectors Available)		
Cable Length	300cm Standard (Any Cable Length Available)		
Cable Type	LMR100 Standard (Other Cables Available)		

### Features

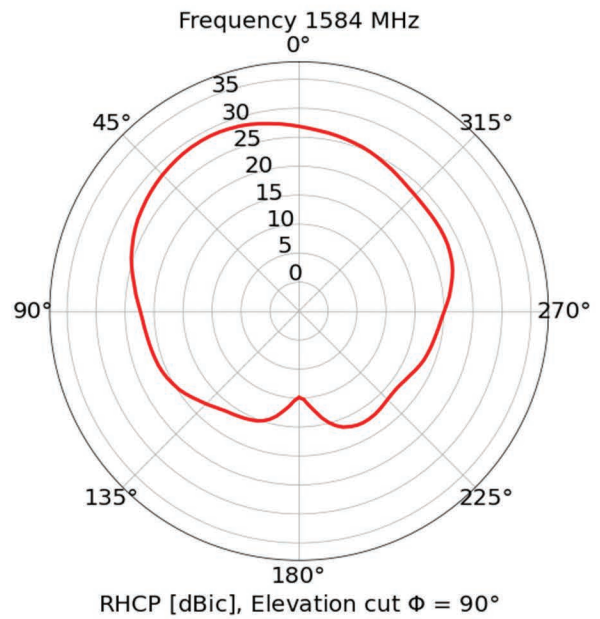
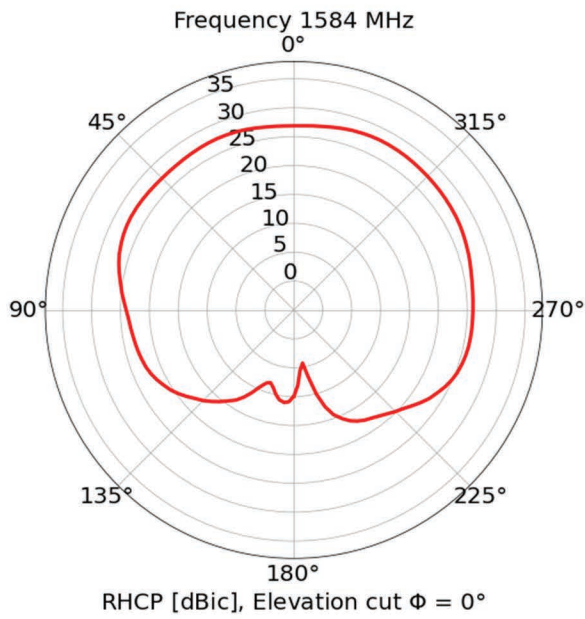
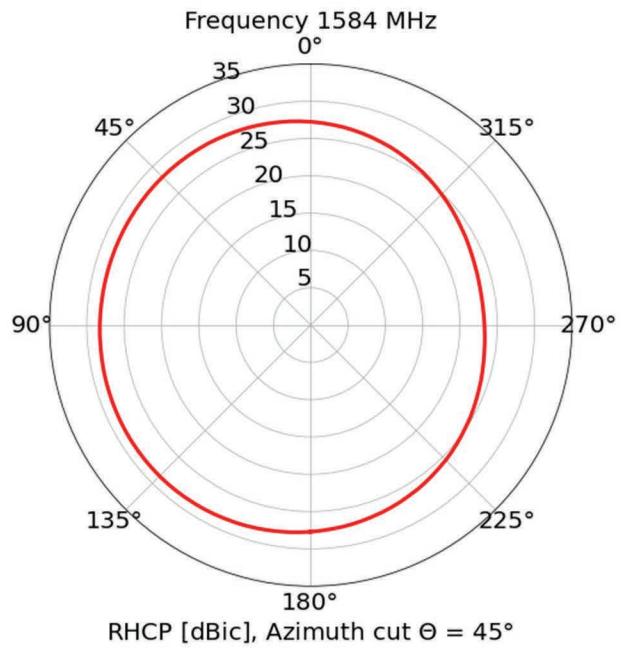
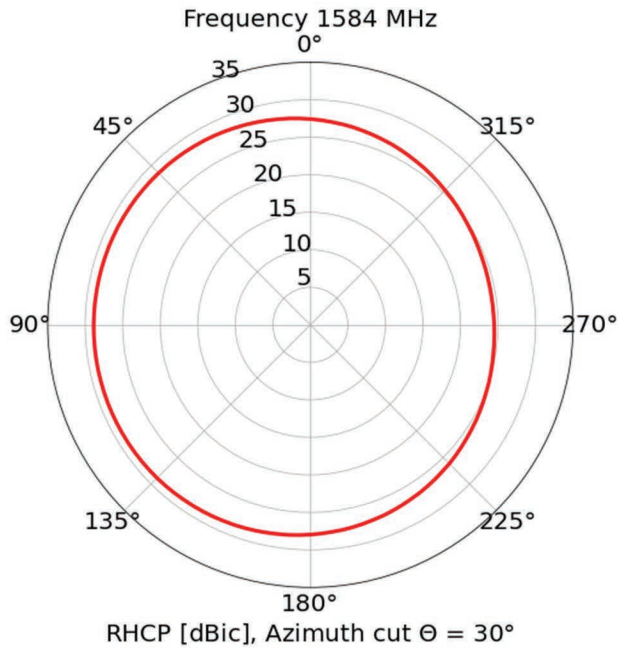
- GPS/GLONASS/QZSS/Galileo frequency range (1575-1606 MHz)
- Easy mounting: Magnetic Mount
- Ground plane independent
- Customizable Cable & connector
- IP67
- IP69K

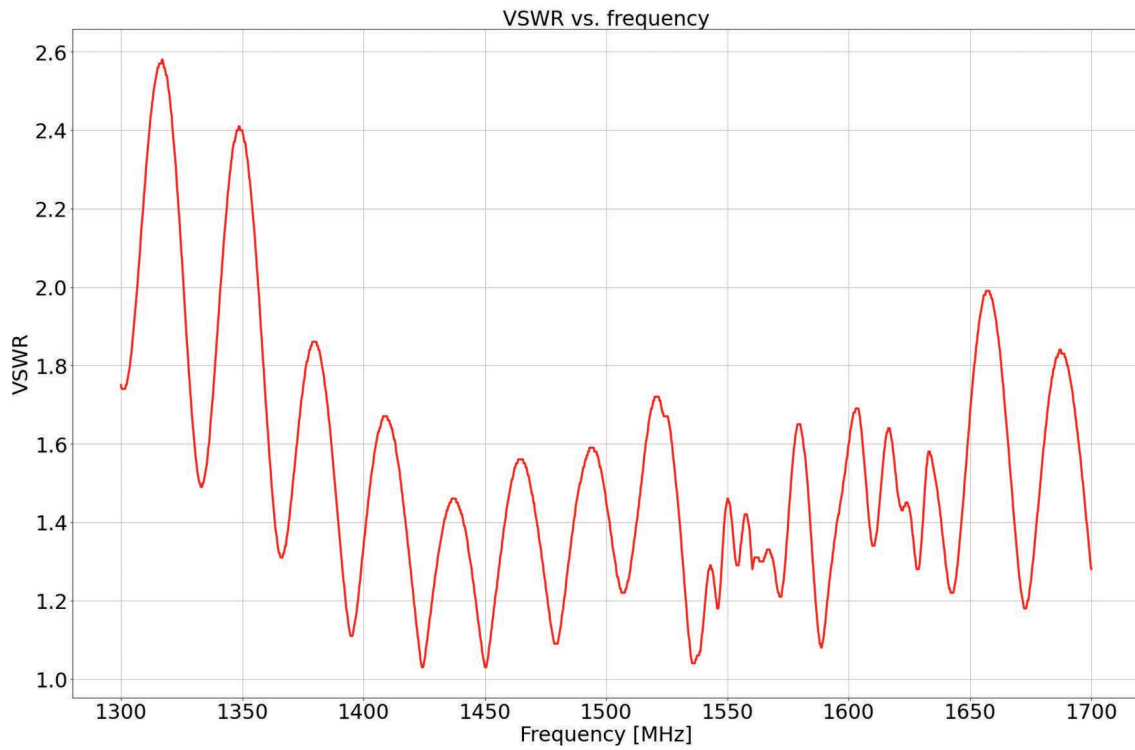
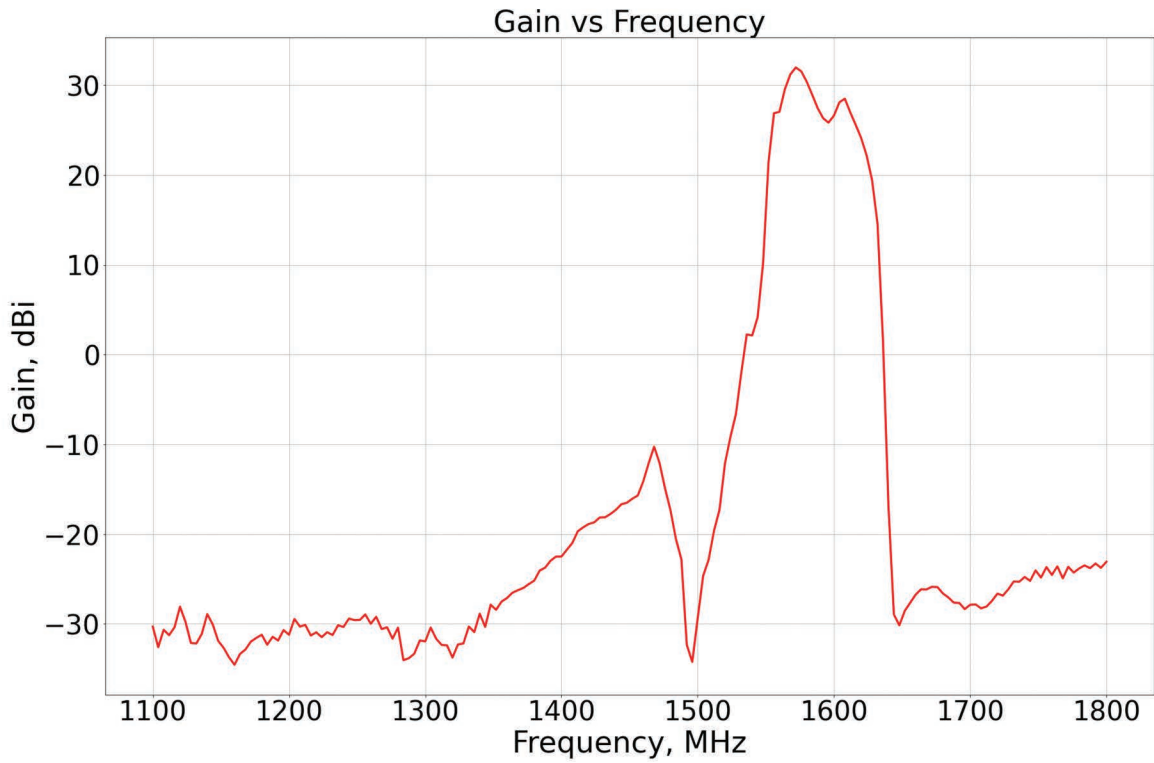
### Applications

- Vehicle and fleet tracking
- Military & Security
- Asset tracking
- IOT & M2M

### Mechanical Specifications

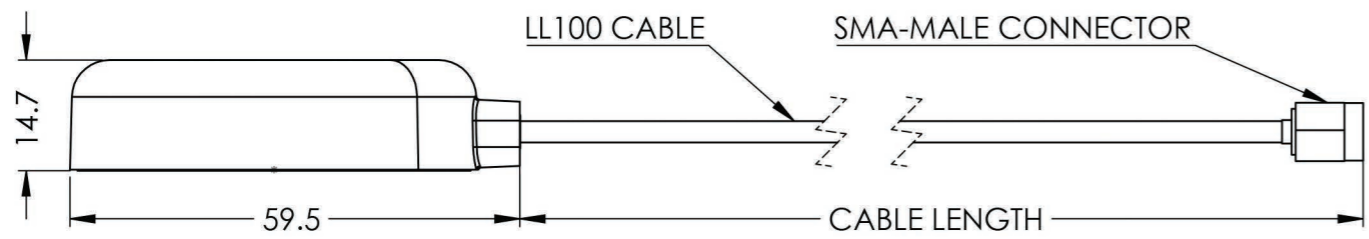
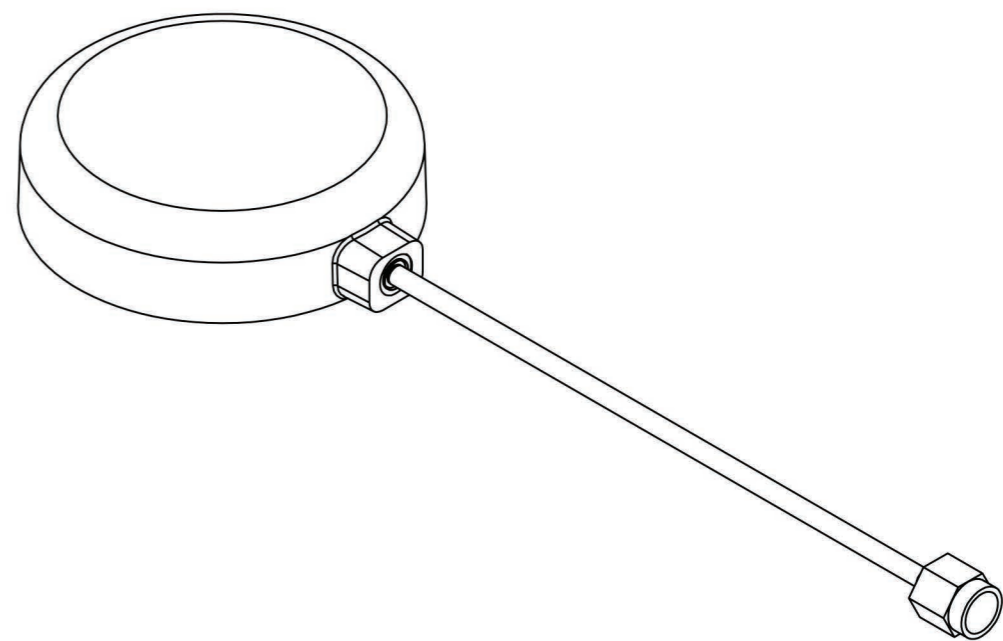
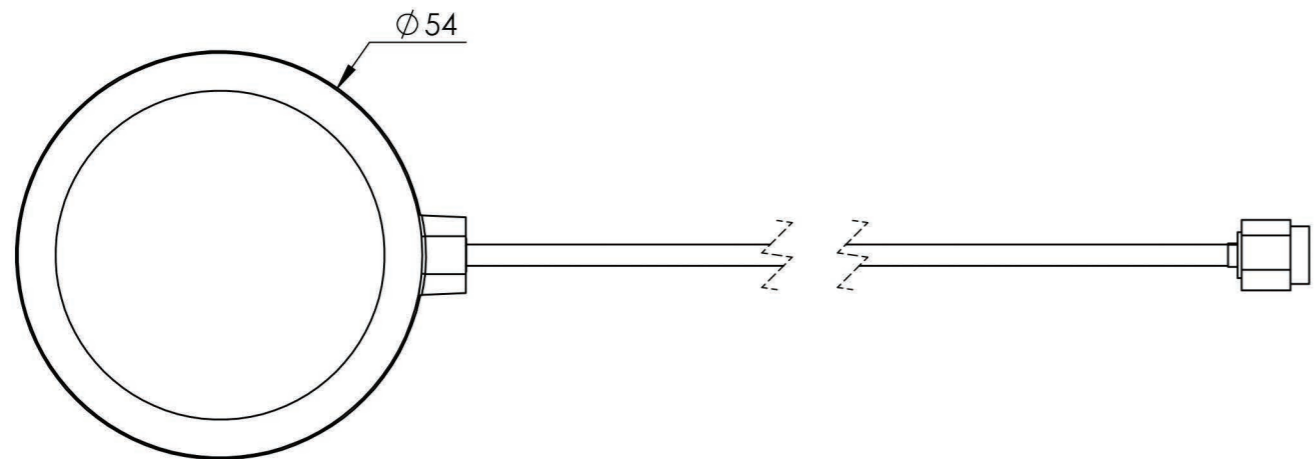
Parameter	Specifications
Antenna Dimensions (mm)	Ø 54 x 14.7
Operating Temperature (C)	-40 to +85
Storage Temperature (C)	-40 to +85
Mounting Type	Magnetic Mount
Substance Compliance	RoHS
Radome Type/Color	PC+ASA/Black
Certificates	IP67, IP69K





Maxtena Inc.  
 20310 Seneca Meadows Pkwy Suite A  
 Germantown, MD 20876  
 1-877-629-8362  
 info@maxtena.com  
[www.maxtena.com](http://www.maxtena.com)

DRAWING REVISION HISTORY			
REV	DESCRIPTION	DATE	BY
A	INITIAL RELEASE	2022-02-18	JET



NOTES:

- FREQUENCY ( GPS/QZSS/GALILEO, GLONASS ): 1575.42 MHz, 1598-1606 MHz
- DIMENSIONS ARE AFTER MOUNTING
- CUSTOMIZABLE CABLE AND CONNECTOR TYPE
- MOUNTING TYPE: MAGNETIC MOUNT
- MATERIALS:
  - RADOME: PC+ASA
  - RADOME COLOR: BLACK
- OPERATING TEMPERATURE: -40° C ~ +85° C
- STORAGE TEMPERATURE: -40° C ~ +85° C
- CERTIFICATION: IP67, IP69K

ITEM 100-00254 REVISION HISTORY			
REV	DESCRIPTION	DATE	BY
A	INITIAL RELEASE	2022-02-18	JET

100-00254 CONFIGURATION TABLE				
DASH NO	CABLE TYPE	CABLE LENGTH	CONNECTOR TYPE	RADOME COLOR
-01	LL100	200 CM	SMA-MALE GOLD	BLACK

UNLESS OTHERWISE SPECIFIED:	NAME	DATE
DIMENSIONS ARE IN MM	DRAWN	JET 2022-02-18
TOLERANCES:	CHECKED	ZX 2022-02-18
FRACTIONAL ±	ENG APPR.	NPC 2022-02-18
ANGULAR: MACH ± .5° BEND ±	MFG APPR.	
ONE PLACE DECIMAL ± 1.0	Q.A.	
TWO PLACE DECIMAL ± .50		
INTERPRET GEOMETRIC TOLERANCING PER:		
	CAD MAINTAINED. CHANGES SHALL BE INCORPORATED BY THE DESIGN ACTIVITY.	
	DO NOT SCALE DRAWING	

<b>MAXTENA, INC</b>		
TITLE: <b>100-00254 MEA-GG-MM</b>		
SIZE <b>B</b>	DWG. NO. <b>117-00593-01</b>	REV <b>A</b>
CAGE CODE: 5KQH7	SCALE: NONE	SHEET 1 OF 1