



MEAX-GGG-SM

GPS/GLONASS Screw Mount

Part #: 100-00252-01

Description

The MEA-GGG-SM is a multi-frequency, high accuracy, GNSS antenna for the GPS & GLONASS. The antenna's excellent radiation pattern, exceptional out-of-band rejection, and low noise figure ensures optimal performance of GNSS systems. It features a 2 m cable with an integrated SMA, SMB, or MCX connector (customer choice). Our low-profile screw mount is ideal for robotics, rail, UAV, industrial and IOT applications. This antenna offers a ultra-low profile design with easy mounting and customizable cables and connector options.



Electrical Specifications

GPS/GLONASS Antenna - Passive Parameters	Parameter	Specifications	
	Standards	GPS/QZSS/Galileo	GLONASS
	Band (MHz)	1575	1602
	Frequency Range	1575.42 MHz	1598-1610 MHz
	Return Loss (dB)	<=-20	<=-15
	VSWR	<=1.2:1dB	<=1.4dB
	Efficiency (%)	~65	~68
	Peak Gain (dBIC)	~3.6	~3.9
	Average Gain (dB)	~1.8	~1.6
	Impedance (Ohm)	50	
Radiation Pattern	Hemispherical		

GPS/GLONASS Antenna - Active Parameters	Parameter	Specifications	
	Standards	GPS/QZSS/Galileo	GLONASS
	Band (MHz)	1575	1602
	Frequency Range	1575.42 MHz	1598-1610 MHz
	Return Loss (dB)	<=-15 dB	
	Patch Size (mm)	25 x 25 x 4	
	Impedance (Ohm)	50	
	VSWR	<=1.4:1 dB	
	Radiation Pattern	Hemispherical	
	Polarization	RHCP	
	Saw Filter	Pre-Filter	
	Active Gain (dB)	28 @ 2.7 V	
	Voltage (V)	1.5 - 3.6	
	Current (mA)	9 @ 2.7V	
	Out of Band Rejection (dB)	~43	
	ESD Protection	6	
Connector Type	SMA-Male Standard (Other Connectors Available)		
Cable Length	200cm Standard (Any Cable Length Available)		
Cable Type	LMR100 Standard (Other Cables Available)		

Features

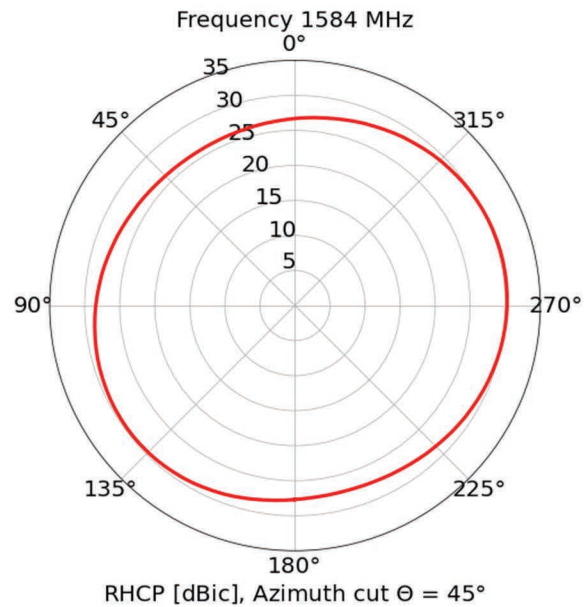
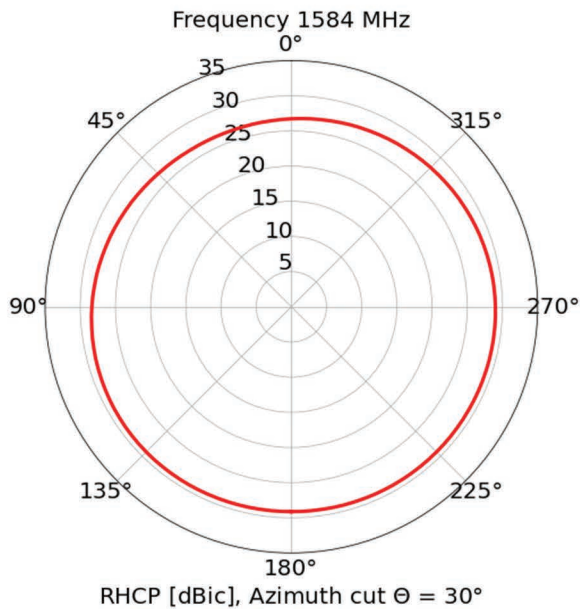
- GPS /QZSS/Galileo - 1575 MHz
- Easy mounting: Screw Mount
- Ground Plane Independent
- Pre-Filter
- Customizable Cable and Connector
- IP69K

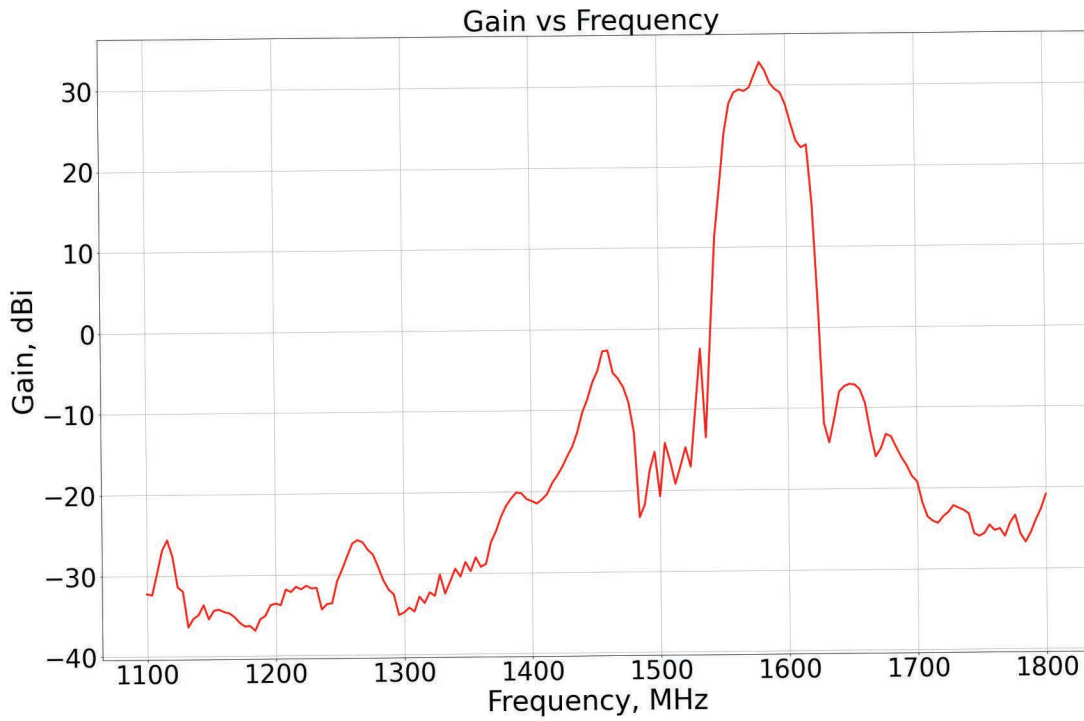
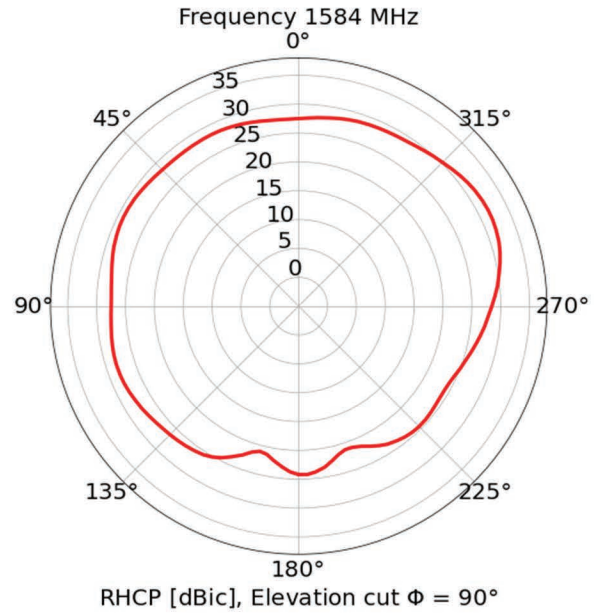
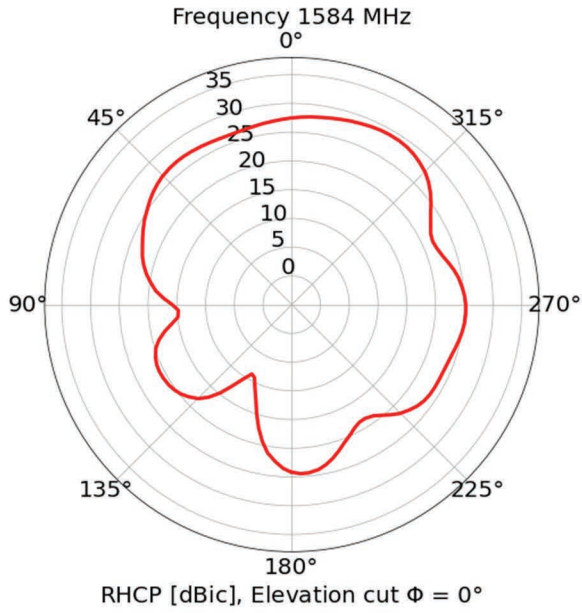
Applications

- Vehicle and fleet tracking
- Military & security
- Asset tracking
- Embedded applications
- Navigation devices
- Oil & gas industries
- Mining equipment
- LBS & M2M applications
- Law enforcement

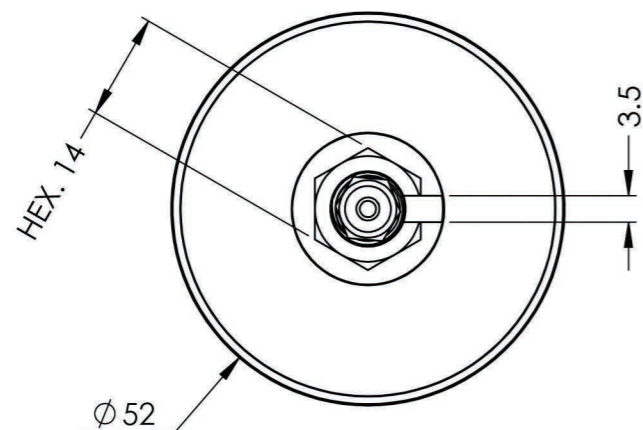
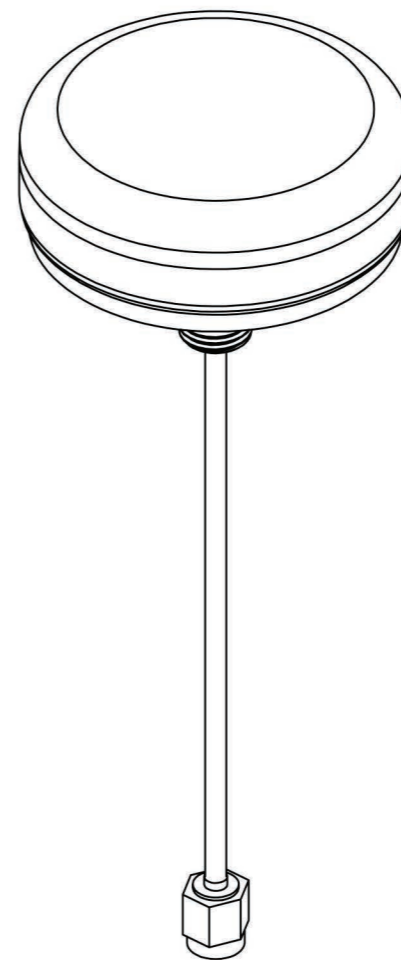
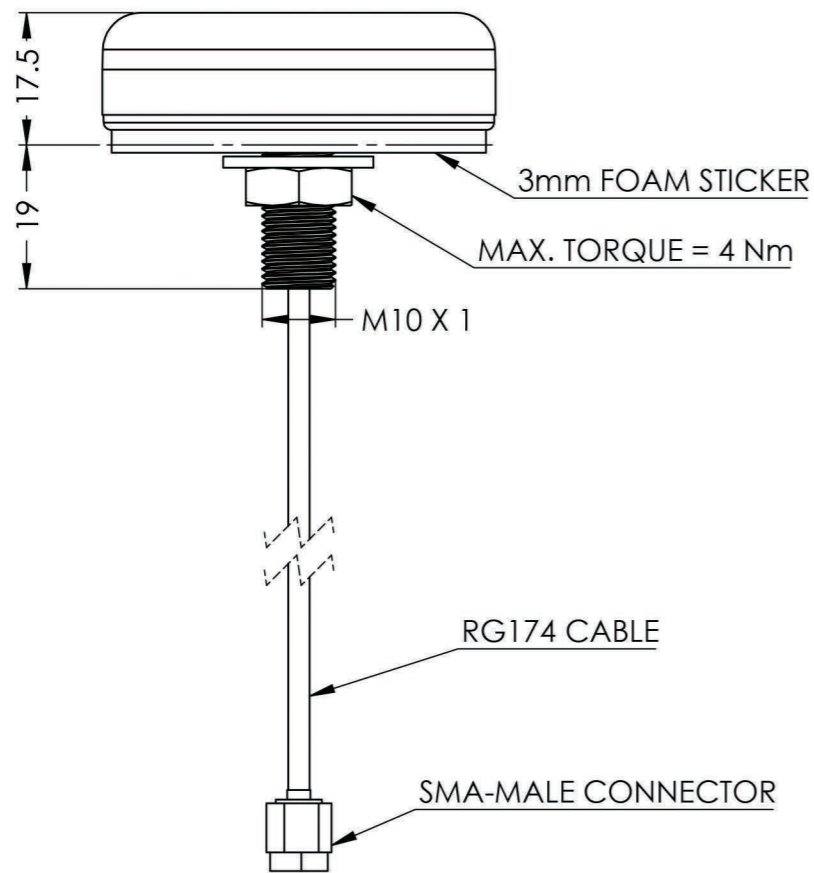
Mechanical Specifications

Parameter	Specifications
Antenna Dimensions (mm)	Ø 52 × 17.5
Operating Temperature (C)	-40 to +85
Storage Temperature (C)	-40 to +85
Mounting Type	Screw Mount
Radome Type/Color	ASA/ Black
Substance Compliance	RoHS
Antenna Base	ASA/ Black
Max. Tighten Torque (Nm)	4 Nm
Certificates	IP69K



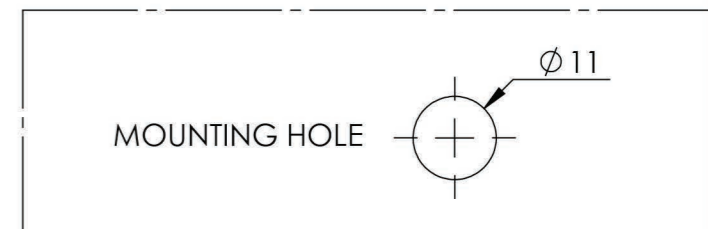


DRAWING REVISION HISTORY			
REV	DESCRIPTION	DATE	BY
A	INITIAL RELEASE	2022-02-18	JET



NOTES:

- FREQUENCY (GPS/QZSS/GALILEO, GLONASS): 1575.42 MHz, 1598-1606 MHz
- DIMENSIONS ARE AFTER MOUNTING
- CUSTOMIZABLE CABLE AND CONNECTOR TYPE
- MOUNTING TYPE: SCREW MOUNT
- MAX. MOUNTING THICKNESS: 11mm
- MATERIALS:
 - RADOME: ASA
 - RADOME COLOR: BLACK
 - ANTENNA BASE: ASA
- OPERATING TEMPERATURE: -40° C ~ +85° C
- STORAGE TEMPERATURE: -40° C ~ +85° C
- CERTIFICATION: IP69K



ITEM 100-00252 REVISION HISTORY			
REV	DESCRIPTION	DATE	BY
A	INITIAL RELEASE	2022-02-18	JET

100-00252 CONFIGURATION TABLE				
DASH NO	CABLE TYPE	CABLE LENGTH	CONNECTOR TYPE	RADOME COLOR
-01	RG174	200 CM	SMA-MALE GOLD	BLACK

UNLESS OTHERWISE SPECIFIED:	NAME	DATE
DIMENSIONS ARE IN MM	DRAWN	JET 2022-02-18
TOLERANCES:	CHECKED	ZX 2022-02-18
FRACTIONAL ±	ENG APPR.	NPC 2022-02-18
ANGULAR: MACH ± .5° BEND ±	MFG APPR.	
ONE PLACE DECIMAL ± 1.0	Q.A.	
TWO PLACE DECIMAL ± .50		
INTERPRET GEOMETRIC TOLERANCING PER:	CAD MAINTAINED. CHANGES SHALL BE INCORPORATED BY THE DESIGN ACTIVITY.	
	DO NOT SCALE DRAWING	

MAXTENA, INC		
TITLE: 100-00252 MEA-GGG-SM		
SIZE B	DWG. NO. 117-00591-01	REV A
CAGE CODE: 5KQH7	SCALE: NONE	SHEET 1 OF 1