

ME A-5G-AM-SMA

5G NR Adhesive Mount antenna

Part #: 100-00351-01

Description

The MEA-5G-AM-SMA adhesive Mount Antenna is a 5G antenna solution, with high gain and efficiency ideal for maintaining constant mobile connectivity. The MEA-5G-AM-SMA covers all 5G, 4G, 3G and 2G frequencies. This is an ideal antenna for telematics systems, remote surveillance, asset tracking and any IOT system applications. The high performance makes this antenna ideal for the most challenging installations. This adhesive mount antenna is easy to install with maximum durability. The MEA-5G-AM-SMA has one cable with a SMA-Male standard connector, 3m standard cable length and is fully customizable by offering additional connector types, cable lengths and cable types.



Electrical Specifications

Parameter	Specifications			
Technologies	5G, 4G, 3G and 2G			
Standards	5G NR/4G LTE/FirstNet/CBRS/LPWA/CAT-X/CAT-Mx/CAT-NBx/NB-IoT/3G2G			
	617-960	1427-2690	3300-5000	5150-5925
Band MHz	600, 700, 850, 900	1500, 1600, 1700, 1800, 1900, 2000, 2100, 2300, 2500, 2600	3300, 3500, 3600, 3700, 4500	5200, 5500, 5800
5G NR Bands	n5, n8, n12, n20, n28, n71, n81, n82, n83,	n1, n2, n3, n7, n25, n34, n38, n39, n40, n41, n50, n51, n66, n70, n74, n75, n76, n80, n84, n86	n77, n78, n79	
4G LTE Bands	B5, B6, B8, B12, B13, B14, B17, B18, B19, B20, B26, B27, B28, B29, B44, B67, B68, B71, B85	B1, B2, B3, B4, B7, B9, B10, B11, B21, B23, B24, B25, B30, B32, B33, B34, B35, B36, B37, B38, B39, B40, B41, B45, B50, B51, B65, B66, B69, B70, B74, B75, B76	B22, B42, B43, B48, B49, B52	B46, B47, B252, B255
3G CELL Bands	B5, B6, B8, B12, B13, B14, B19, B20, B26	B1, B2, B3, B4, B7, B9, B10, B11, B21, B25, B32, B33, B34, B35, B36, B37, B38, B39, B40	B22	
2G CELL Bands	710, 750, 810T, 850, 900P, 900E, 900R	1800DCS, 1900PCS		
CDMA CELL Bands	BC0, BC2, BC3, BC7, BC9, BC10, BC12, BC18, BC19	BC1, BC4, BC6, BC8, BC13, BC14, BC15, BC16, BC20, BC21		
Return Loss (dB)	~-7.0	~-11.2	~-7.1	~-6.4
VSWR	~3.1:1	~2.1:1	~3.1:1	~3.0:1
Efficiency (%)	~50.2	~56.3	~30.4	~25.1
Peak Gain (dBi)	~-2.1	~-6.3	~-3.7	~-2.8
Average Gain (dB)	~-3.3	~-2.5	~-5.8	~-6.1
Impedance (Ohm)	50			
Polarisation	Linear			
Radiation Pattern	Omni-Directional			
Max. Input Power (W)	35			
Connector Type	SMA-Male Standard (Other Connectors Available)			
Cable Length	300 cm Standard (Any Cable Length Available)			

Features

- Cable 1: 5G NR (617-960, 1427-2690, 3300-5000 and 5150-5925 MHz)
- Easy mounting: Adhesive Mount
- High Gain
- Ground Plane Independent
- IP67, IP69
- 80 x 74 x 25.6 mm
- Customized Cable and Connector

Applications

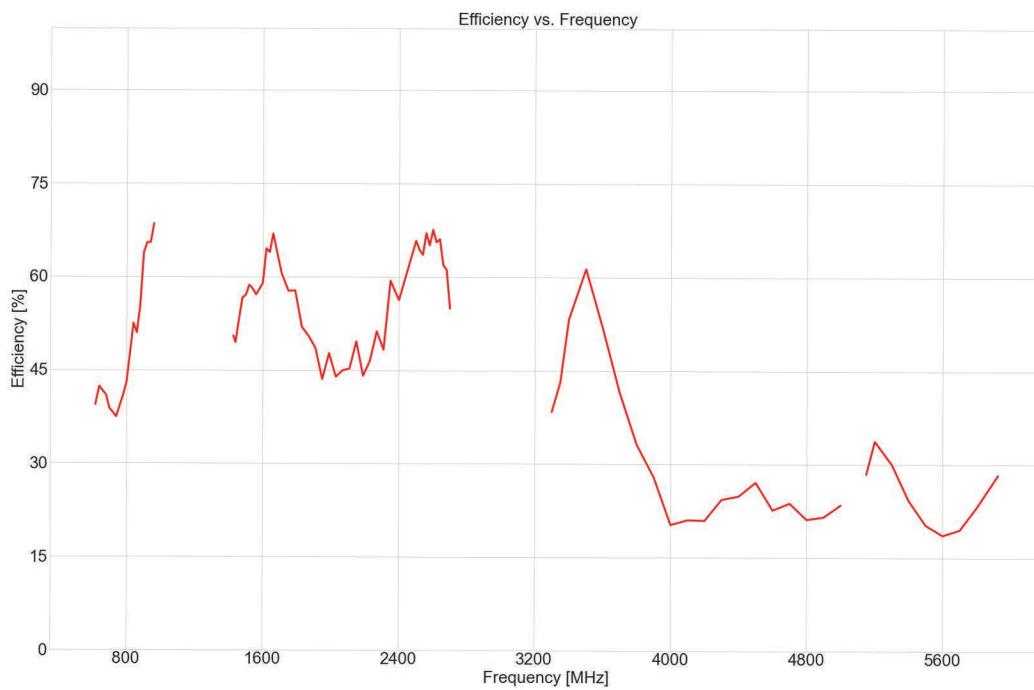
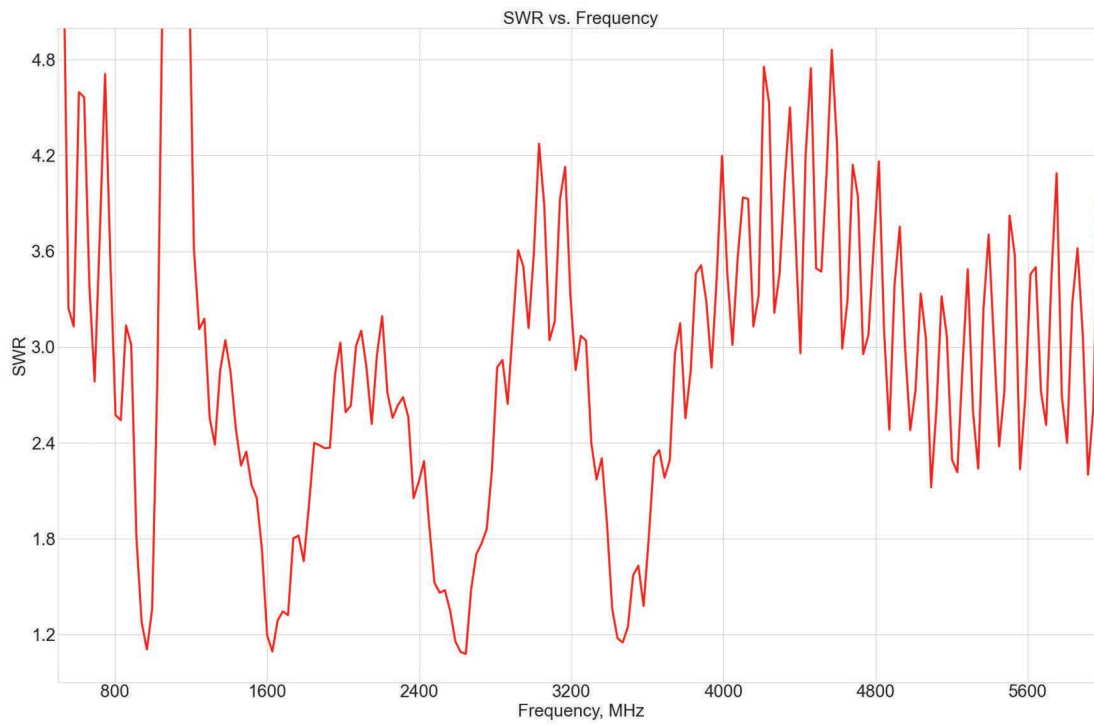
- GNSS
- Automotive
- IOT
- Massive IOT

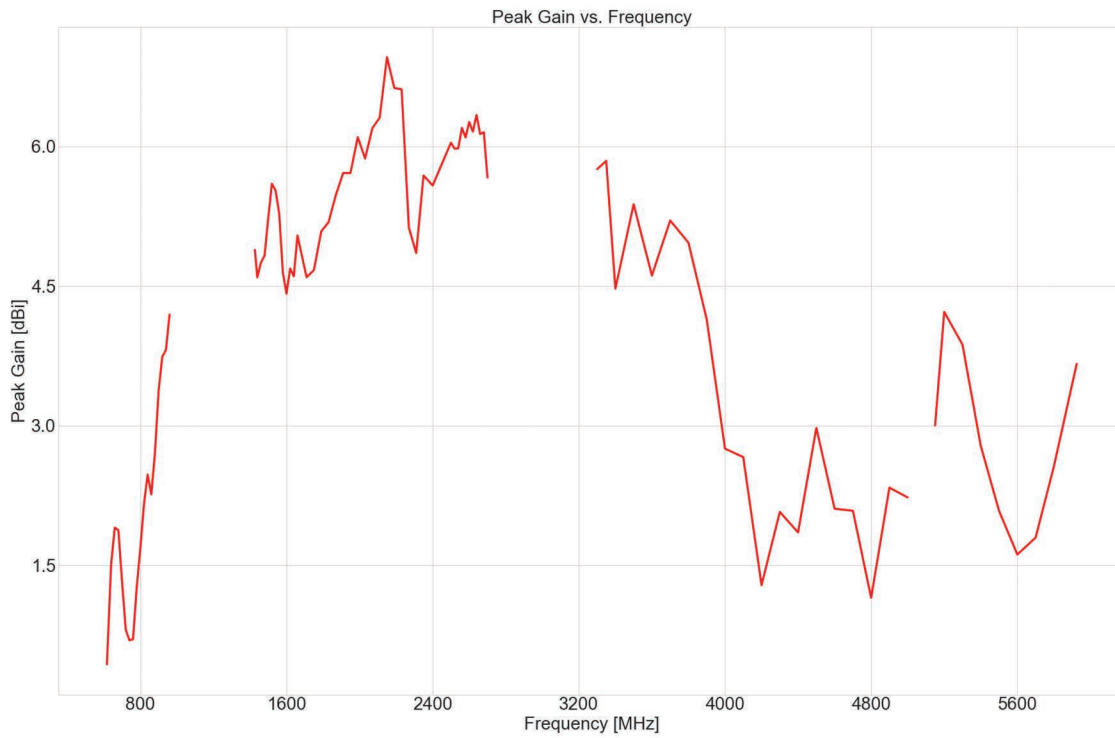
Mechanical Specifications

Parameter	Specifications
Antenna Dimensions (mm)	80 x 74 x 25.6
Operating Temperature (C)	-40 to +85
Storage Temperature (C)	-40 to +85
Mounting Type	Adhesive Mount
Substance Compliance	RoHS
Radome Type/Color	ASA UV Stable/Black, White
Ingress Protection	IP67, IP69

Antenna Parameters

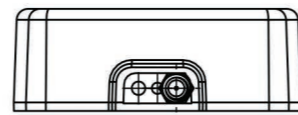
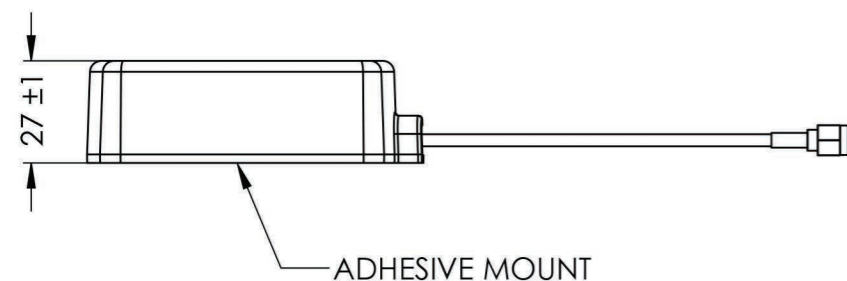
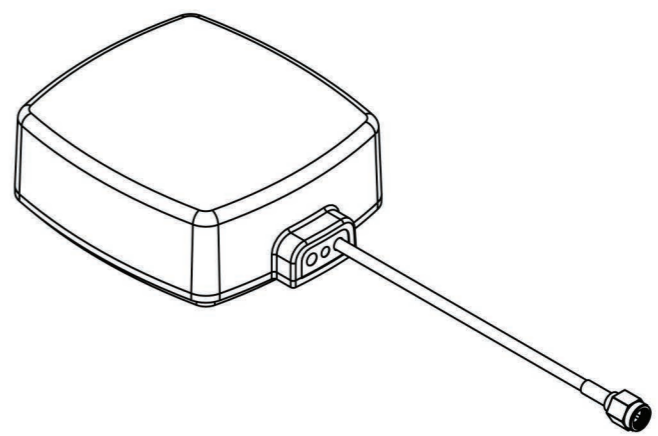
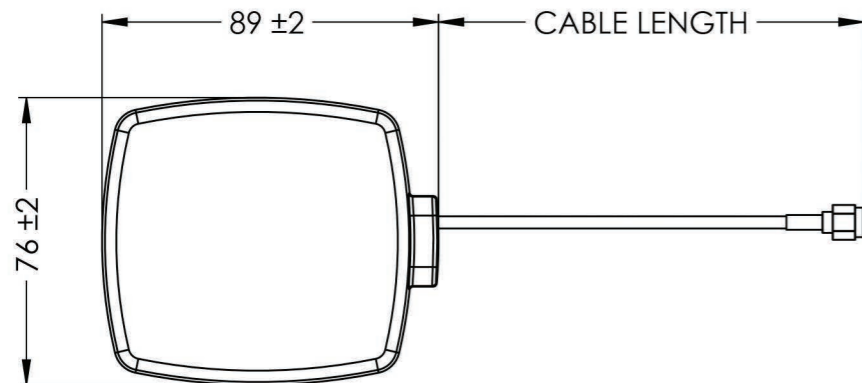






Maxtena Inc.
20310 Seneca Meadows Pkwy Suite A
Germantown, MD 20876
1-877-629-8362
info@maxtena.com
www.maxtena.com

DRAWING REVISION HISTORY			
REV	DESCRIPTION	DATE	BY
A	INITIAL RELEASE	2023-11-13	MP



NOTES:

- FREQUENCY:
 - CABLE 1: 5G NR (617-960, 1427-2690, 3300-5000 and 5150-5925 MHz)
- CUSTOMIZABLE CABLE AND CONNECTOR OPTIONS
- MOUNTING TYPE: ADHESIVE MOUNT
- DIMENSIONS ARE AFTER MOUNTING
- MATERIALS:
 - RADOME: ASA UV STABLE
 - RADOME COLOR: BLACK OR WHITE
- OPERATING TEMPERATURE: -40°C ~ +85°C
- STORAGE TEMPERATURE: -40°C ~ +85°C
- CERTIFICATIONS: IP67, IP69

ITEM 100-00351-01 REVISION HISTORY			
REV	DESCRIPTION	DATE	BY
A	INITIAL RELEASE	2023-11-13	MP

100-00351-01 CONFIGURATION TABLE				
DASH NO	CABLE TYPE	CABLE LENGTH	CONNECTOR TYPE	RADOME COLOR
-01	CABLE 1: D302	300CM	SMA MALE	BLACK

UNLESS OTHERWISE SPECIFIED:	NAME	DATE
DIMENSIONS ARE IN MM	DRAWN MP	2023-11-13
TOLERANCES:	CHECKED BO	2023-11-15
FRACTIONAL ±	ENG APPR. AV	2023-11-15
ANGULAR: MACH ± .5° BEND ±	MFG APPR.	
ONE PLACE DECIMAL ± 1.0	Q.A.	
TWO PLACE DECIMAL ± .50		
INTERPRET GEOMETRIC TOLERANCING PER:	CAD MAINTAINED. CHANGES SHALL BE INCORPORATED BY THE DESIGN ACTIVITY.	
	DO NOT SCALE DRAWING	

MAXTENA, INC		
TITLE: 100-00351-01 MEA-5G-AM-SMA		
SIZE B	DWG. NO. 117-00753-01	REV A
CAGE CODE: 5KQH7	SCALE: NONE	SHEET 1 OF 1