



MEA-1621

IRIDIUM CERTIFIED PASSIVE ANTENNA

Ordering Part #: 189-00024-01



Description

The MEA-1621 is an external antenna designed for the Iridium Network and is Iridium Certified. The antenna provides exceptional pattern control, polarization purity and high efficiency. It offers excellent performance at low orbit and a sleek, low profile design with easy mounting, featuring an integrated SMA connector and is rated IP-67 when mounted and unmounted. It can be used to boost the performance of the Iridium handsets among other uses. This low profile antenna is a magnet mount antenna with rugged ABS plastic housing and is ideal for the most demanding environmental challenges. The MEA-1621 provides outstanding performance for any telematics and fleet management application.

Antenna Specifications

Parameter	Design Specifications
Bands	1621 MHz
Frequency	Iridium 1616-1626 MHz
Return Loss	~ -18.8 dB
VSWR	~ 1.2:1
Efficiency	~ 76%
Peak Gain	~4.5 dBic
Average Gain	~-1.1 dB
Axial Ratio	3 Max dB
Radiation Pattern	Hemispherical
Polarization	RHCP
Connector Type	SMA-Male Standard (other connectors available)
Cable Length	300cm Standard (any cable length available)
Cable Type	LMR100 Standard (other cables available)

Features

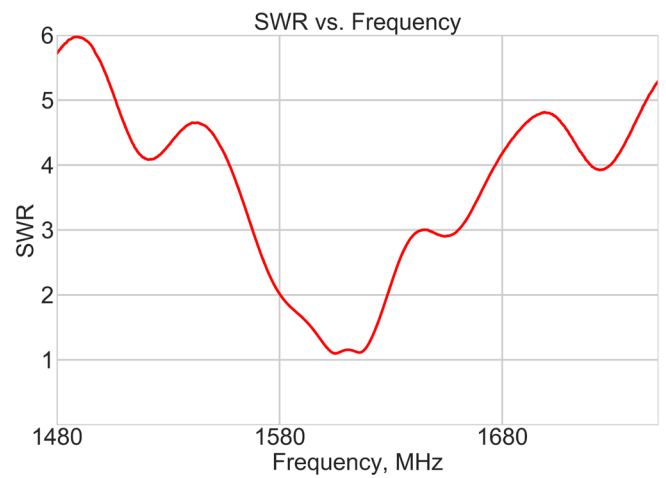
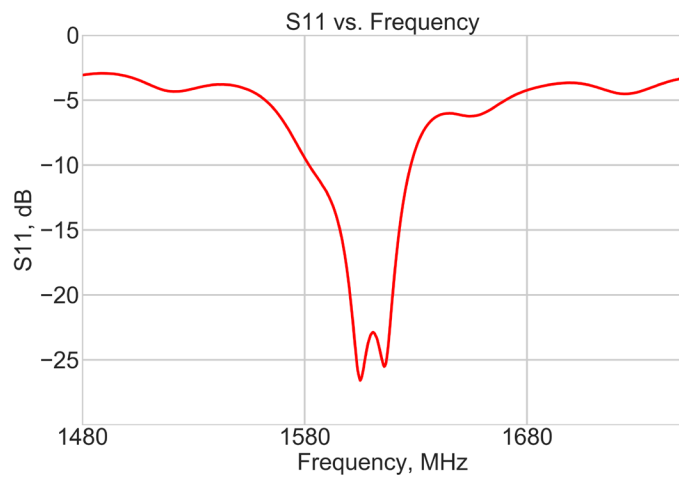
- Optimized for Iridium Network
- Very low axial ratio
- Excellent performance at low orbit
- Easy mounting
- 150cm cable length
- LM4100 cable
- Rugged housing

Applications

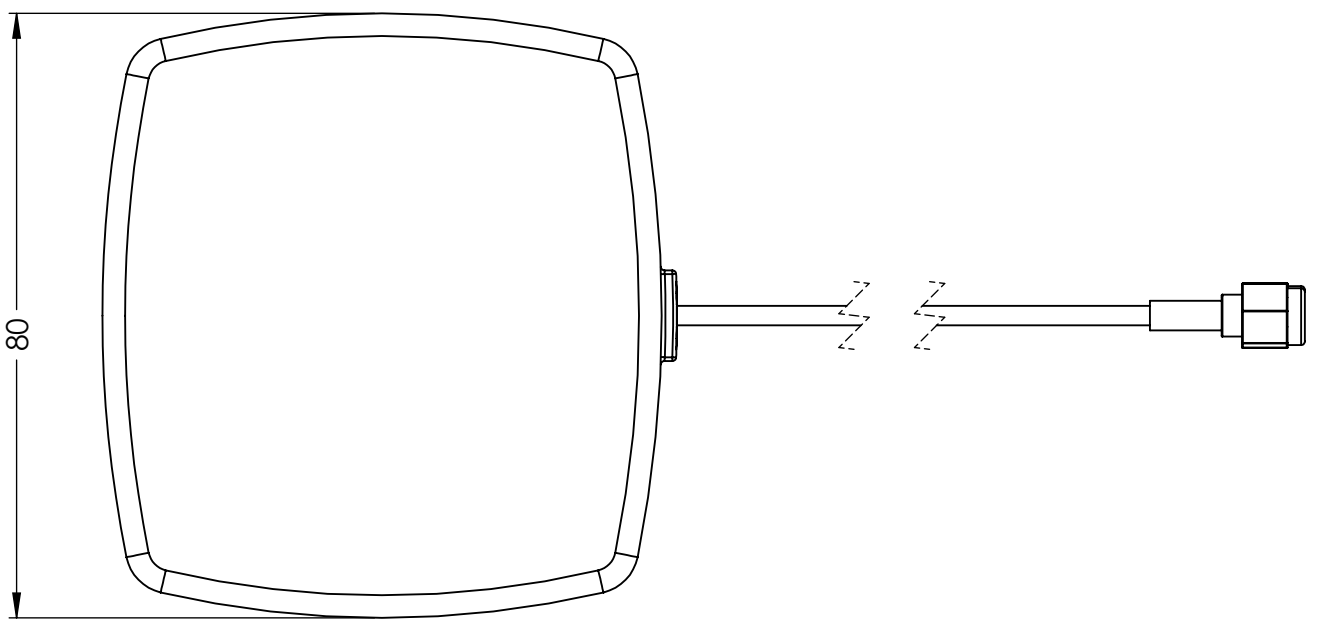
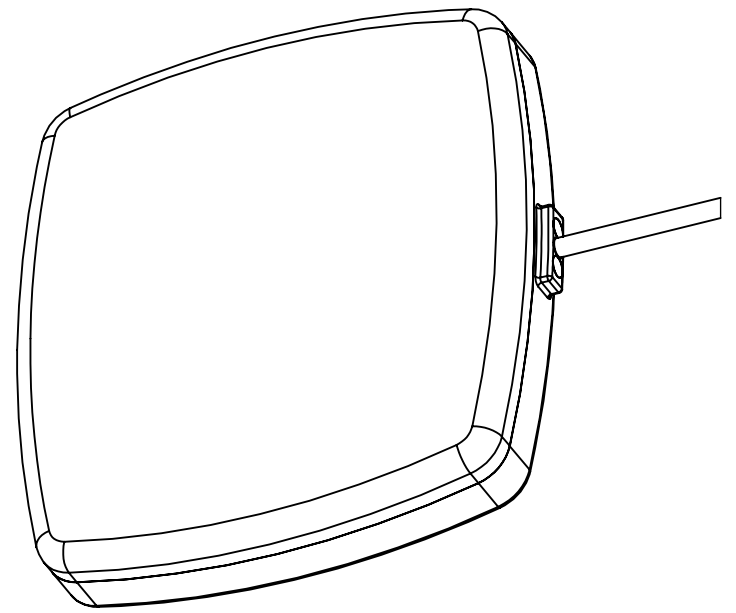
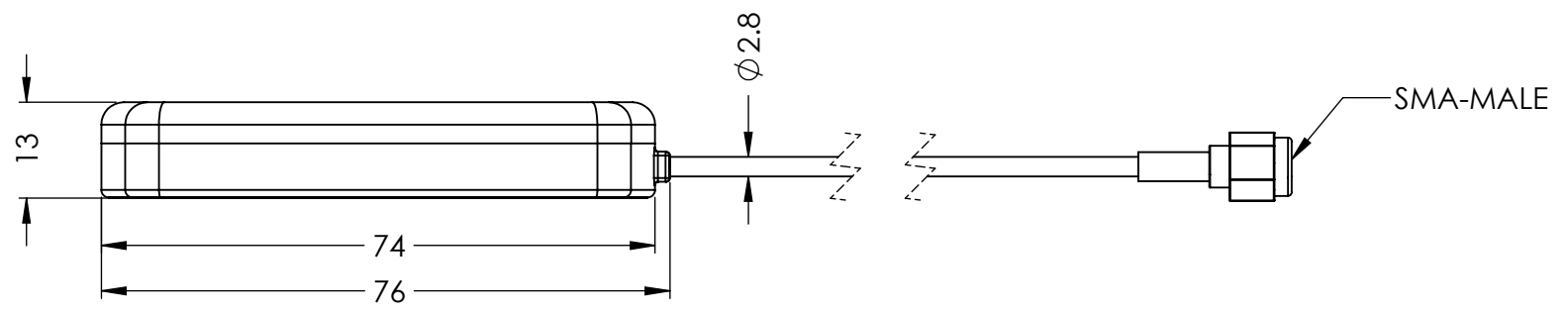
- Vehicle and fleet tracking
- Military & security
- Asset tracking
- Iridium (SBD) Short Burst Data
- Oil & gas industries
- Navigation devices
- Mining equipment
- LBS & M2M applications
- Handheld devices
- Law enforcement

Mechanical and Environmental Specifications

Parameter	Design Specifications
Mounting Type	Magnetic Mount
Dimensions	80 x 76 x 13 mm
Radome Type	ABS
Radome Color	Black
Antenna Base	ABS
Operating Temp.	-40° to +85° C
Storage Temp.	-40° to +85° C
Certificates	Iridium Certified
Substance Compliance	RoHS



DRAWING REVISION HISTORY			
REV	DESCRIPTION	DATE	BY
A	INITIAL RELEASE	2021-06-17	SZ



NOTES:

1. FREQUENCY: IRIDIUM: 1616 - 1626 MHz
2. IMPEDANCE: 50 OHM
3. POLARIZATION: RHCP
4. GAIN: 3 dBiC
5. VSWR: <1.2:1
6. PATCH SIZE: 35 x 35 x3 MM
7. HOUSING MATERIAL: BLACK ABS
8. MOUNTING TYPE: MAGNETIC MOUNT
9. OPERATING TEMPERATURE: -40°C TO +85°C
10. CUSTOMIZABLE CABLE AND CONNECTOR

ITEM 189-00024 REVISION HISTORY			
REV	DESCRIPTION	DATE	BY
A	INITIAL RELEASE	2021-06-17	SZ

189-00024 CONFIGURATION TABLE			
DASH NO	CABLE LENGTH	CABLE TYPE	CONNECTOR TYPE
-01	150cm	LMR100	SMA MALE
-02	5m	LMR100	SMA MALE
-05	5.5ft	LMR100	SMA MALE
-06	3m	LMR100	SMA MALE

UNLESS OTHERWISE SPECIFIED:
 DIMENSIONS ARE IN MM
 TOLERANCES:
 FRACTIONAL ±
 ANGULAR: MACH ± .5° BEND ±
 INTEGER ± 2
 ONE PLACE DECIMAL ± 1.0
 TWO PLACE DECIMAL ± .50
 INTERPRET GEOMETRIC TOLERANCING PER:

THIRD ANGLE PROJECTION
DO NOT SCALE DRAWING

CAD MAINTAINED. CHANGES SHALL BE INCORPORATED BY THE DESIGN ACTIVITY.

MAXTENA, INC

TITLE: 189-00024 MEA-1621

SIZE B DWG. NO. 117-00423-01 REV A

CAGE CODE: 5KQH7 SCALE: NONE SHEET 1 OF 1