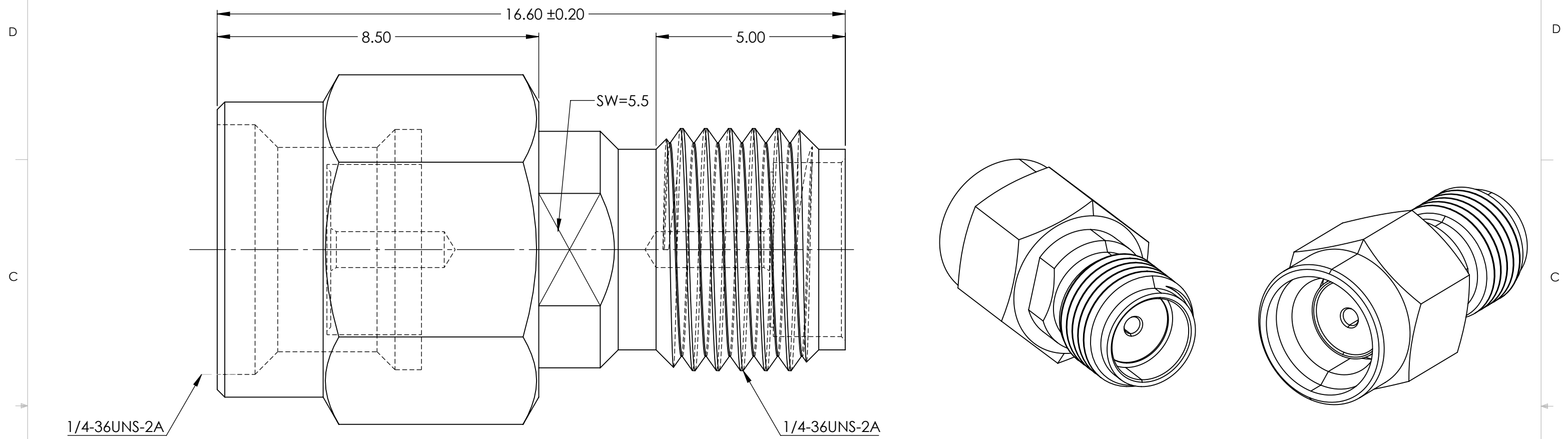


DRAWING REVISION HISTORY			
REV	DESCRIPTION	DATE	BY
A	INITIAL RELEASE	2024-04-08	MP



RP-SMA PLUG TO RP-SMA JACK ADAPTOR

NOTES:

- INTERFACE PER: MIL-STD-348, IEC 60169-15
- MATERIAL AND FINISHING:
  - CENTER CONDUCTOR: PHOSPHOR BRONZE, GOLD PLATING
  - INSULATORS: PTFE
  - BODY: BRASS, GOLD PLATING
- ELECTRICAL DATA:
  - IMPEDANCE: 50 OHMS
  - FREQUENCY: 0-6 GHz
  - VSWR: 1.25 MAX
  - PROOF VOLTAGE: 1500 VEFF
  - WORKING VOLTAGE: 500 VEFF

ITEM 174-00050-01 REVISION HISTORY			
REV	DESCRIPTION	DATE	BY
1	INITIAL RELEASE	2024-04-08	MP

PROPRIETARY AND CONFIDENTIAL

THE INFORMATION CONTAINED IN THIS DRAWING IS THE SOLE PROPERTY OF MAXTENA, INC. ANY REPRODUCTION IN PART OR AS A WHOLE WITHOUT THE WRITTEN PERMISSION OF MAXTENA, INC IS PROHIBITED.

UNLESS OTHERWISE SPECIFIED:	NAME	DATE
DIMENSIONS ARE IN MM	DRAWN MP	2024-04-08
TOLERANCES:	CHECKED BO	2024-04-09
FRACTIONAL ±	ENG APPR. AV	2024-04-09
ANGULAR: MACH ± .5° BEND ±	MFG APPR.	
ONE PLACE DECIMAL ± 1.0	Q.A.	
TWO PLACE DECIMAL ± .50		
INTERPRET GEOMETRIC TOLERANCING PER:		
	CAD MAINTAINED. CHANGES SHALL BE INCORPORATED BY THE DESIGN ACTIVITY.	
THIRD ANGLE PROJECTION		
DO NOT SCALE DRAWING		

MAXTENA, INC		
TITLE: 174-00050-01 MAD-01-12-RP-SMA		
SIZE B	DWG. NO. 117-00777-01	REV A
CAGE CODE: 5KQH7	SCALE: NONE	SHEET 1 OF 1