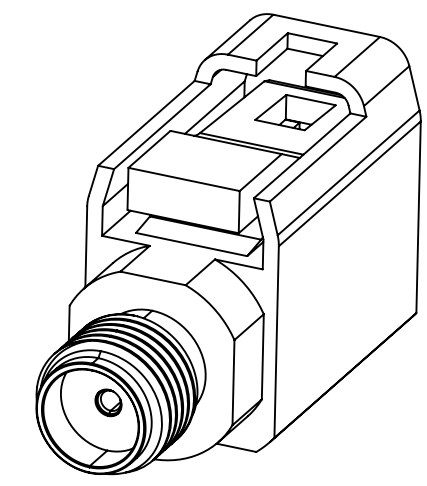
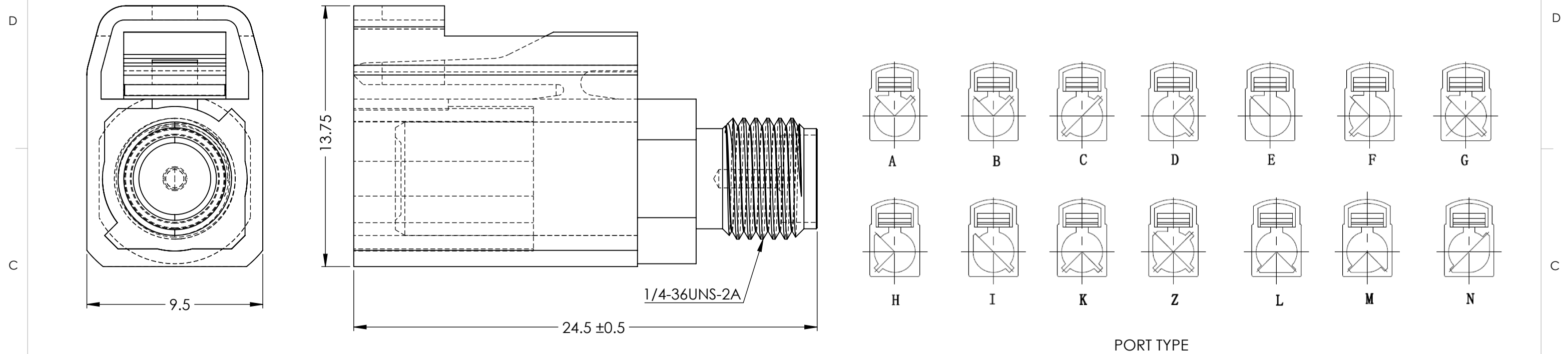


DRAWING REVISION HISTORY			
REV	DESCRIPTION	DATE	BY
A	INITIAL RELEASE	2024-05-01	MP



- NOTES:**
- MATERIAL AND FINISHING:**
    - SPRING WASHER: BeCu
    - PLASTIC SHELL: PA66+30%GF
    - PIN CONTACT: BeCu, GOLD PLATED
    - INSULATORS: PTFE
    - BODY: BRASS, NEICKEL PLATED
  - ELECTRICAL DATA:**
    - IMPEDANCE: 50 OHMS
    - FREQUENCY: 0-6 GHz
    - VOLTAGE RATING: 335V
    - DIELECTRIC WITHSTANDING VOLTAGE: 750V
    - INSULATION RESISTANCE: >5000 M.OHM
    - DURABILITY: >500 CYCLES
    - TEMPERATURE RANGE: -55 °C TO +155 °C
    - CONTACT RESISTANCE:
      1. CENTER CONTACT ≤ 5.0 m.OHM
      2. OUTER CONTACT ≤ 2.5 m.OHM

ITEM 174-00052-01 REVISION HISTORY			
REV	DESCRIPTION	DATE	BY
1	INITIAL RELEASE	2024-05-01	MP

UNLESS OTHERWISE SPECIFIED:	NAME	DATE
DIMENSIONS ARE IN MM	DRAWN	MP 2024-05-01
TOLERANCES:	CHECKED	BO 2024-05-02
FRACTIONAL ±	ENG APPR.	AV 2024-05-02
ANGULAR: MACH ± .5° BEND ±	MFG APPR.	
ONE PLACE DECIMAL ± 1.0	Q.A.	
TWO PLACE DECIMAL ± .50		
INTERPRET GEOMETRIC TOLERANCING PER:	CAD MAINTAINED. CHANGES SHALL BE INCORPORATED BY THE DESIGN ACTIVITY.	
	DO NOT SCALE DRAWING	

<b>MAXTENA, INC</b>		
TITLE: <b>174-00052-01 MAD-01-14-FAKRA-SMB-SMA</b>		
SIZE <b>B</b>	DWG. NO. <b>117-00783-01</b>	REV <b>A</b>
CAGE CODE: 5KQH7	SCALE: NONE	SHEET 1 OF 1

**PROPRIETARY AND CONFIDENTIAL**  
THE INFORMATION CONTAINED IN THIS DRAWING IS THE SOLE PROPERTY OF MAXTENA, INC. ANY REPRODUCTION IN PART OR AS A WHOLE WITHOUT THE WRITTEN PERMISSION OF MAXTENA, INC IS PROHIBITED.