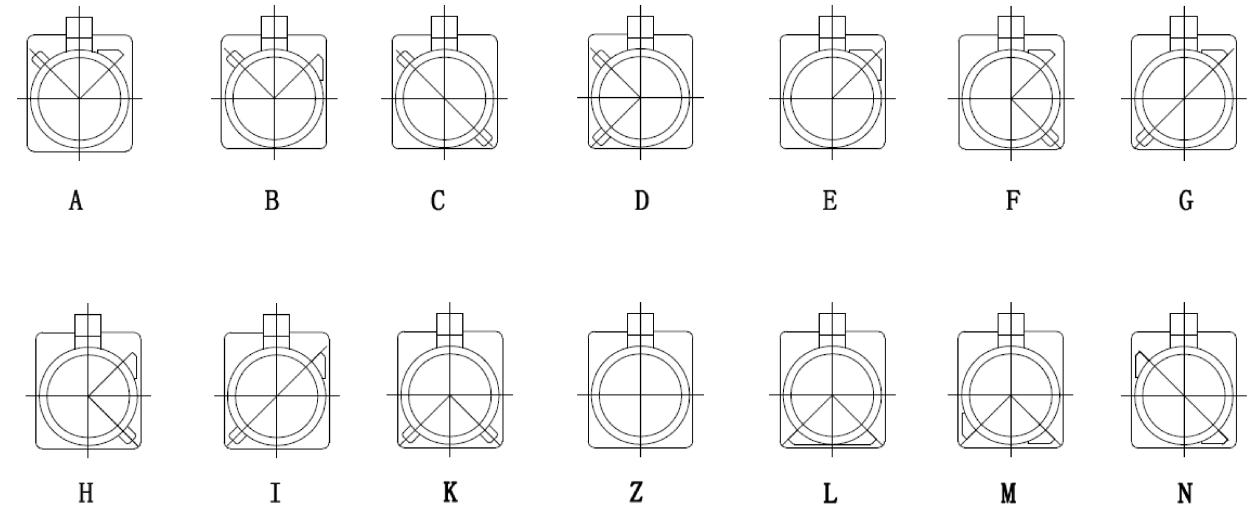
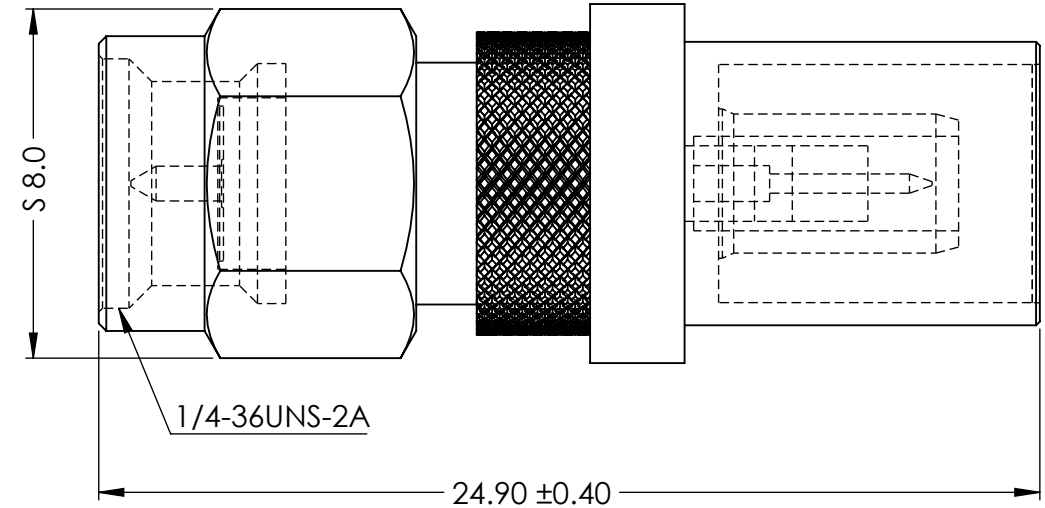
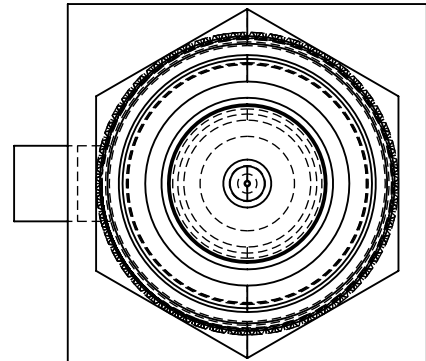
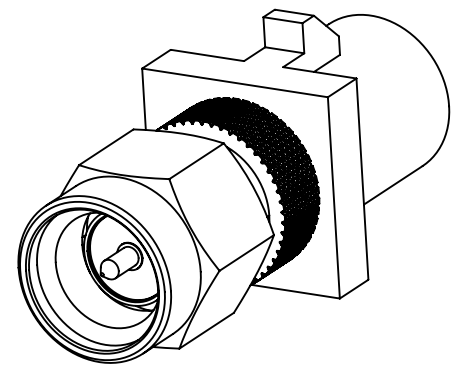


DRAWING REVISION HISTORY			
REV	DESCRIPTION	DATE	BY
A	INITIAL RELEASE	2024-05-03	MP



PORT TYPE

SMA MALE TO FAKRA MALE



NOTES:

- MATERIAL AND FINISHING:
  - SNAP RING: BeCu
  - PLASTIC SHELL: PA66+GF
  - O-RING: SILICONE, RED
  - THE REVOLVER: BRASS, GOLD PLATED
  - PIN CONTACT: BRASS, GOLD PLATED
  - INSULATORS: PTFE
  - BODY: BRASS, NICKEL PLATED
- ELECTRICAL DATA:
  - IMPEDANCE: 50 OHMS
  - FREQUENCY: 0-6 GHz

ITEM 174-00053-01 REVISION HISTORY			
REV	DESCRIPTION	DATE	BY
1	INITIAL RELEASE	2024-05-03	MP

PROPRIETARY AND CONFIDENTIAL

THE INFORMATION CONTAINED IN THIS DRAWING IS THE SOLE PROPERTY OF MAXTENA, INC. ANY REPRODUCTION IN PART OR AS A WHOLE WITHOUT THE WRITTEN PERMISSION OF MAXTENA, INC IS PROHIBITED.

UNLESS OTHERWISE SPECIFIED:	NAME	DATE	<b>MAXTENA, INC</b> TITLE: <b>174-00053-01</b> <b>MAD-01-15-FAKRA-SMA</b>
DIMENSIONS ARE IN MM	DRAWN	MP 2024-05-03	
TOLERANCES:	CHECKED	BO 2024-05-06	
FRACTIONAL ±	ENG APPR.	AV 2024-05-06	
ANGULAR: MACH ± .5° BEND ±	MFG APPR.		
ONE PLACE DECIMAL ± 1.0	Q.A.		SIZE DWG. NO. REV <b>B 117-00784-01 A</b>
TWO PLACE DECIMAL ± .50	CAD MAINTAINED. CHANGES SHALL BE INCORPORATED BY THE DESIGN ACTIVITY.		CAGE CODE: 5KQH7 SCALE: NONE SHEET 1 OF 1
INTERPRET GEOMETRIC TOLERANCING PER:	THIRD ANGLE PROJECTION DO NOT SCALE DRAWING		