

ME A-2400-SMA

WIFI/BLUETOOTH/ISM ANTENNA

Part #: 100-00152-01



Description

MEA-2400-SMA is a flexible 2.4 GHz whip antenna with a SMA connector for outdoor use. The antenna is 80 mm long and provides 2 dBi of gain across the full range of frequencies of 2400-2500 GHz. The MEA-2400-SMA features excellent omni-directional radiation properties providing good coverage in the 2.4 GHz Wi-Fi/Bluetooth/ISM band. The rugged design of the MEA-2400-SMA is ideal to the most demanding environmental challenges.

Electrical Specifications

Parameter	Specification
Frequency Range	2.4 ~ 2.5 GHz
VSWR	≤ 2.0
Impedance	50 Ω
Gain	2 \pm 1 dBi
Polarization	Vertical
Radiation	Omni

Mechanical Specifications

Parameter	Specification
Whip	TPEE
Standard Connector	SMA (Male)
Waterproof Rating	IP66
Operating Temp	-40° ~ 80°

Features

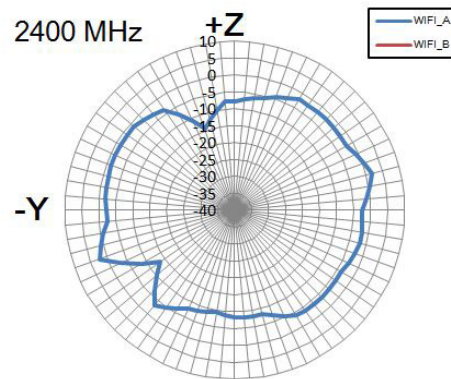
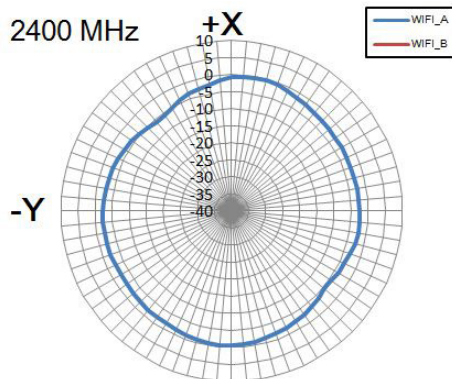
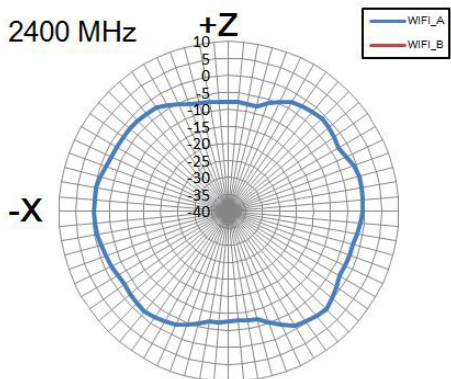
- 2400-2500 GHz frequency coverage
- 2.4GHz Wi-Fi/Bluetooth/ISM band
- Omni-directional whip antenna
- IP66 rating
- SMA connector

Applications

- Outdoor monitoring systems
- Motion sensors
- Vibration sensors
- IOT
- M2M
- Remote monitoring
- Tracking

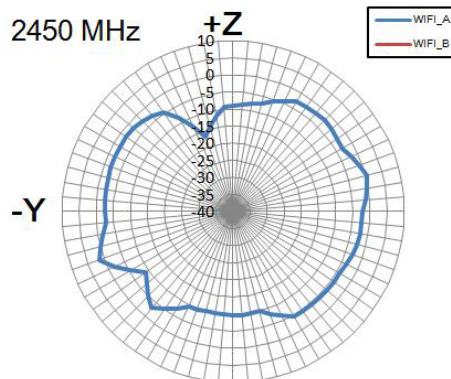
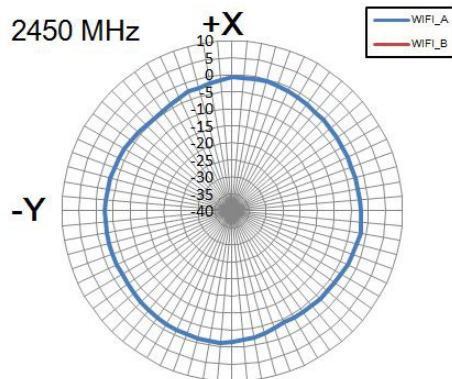
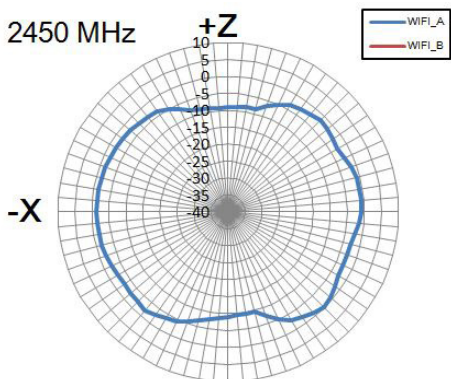
Radiation Performance

2400 GHz



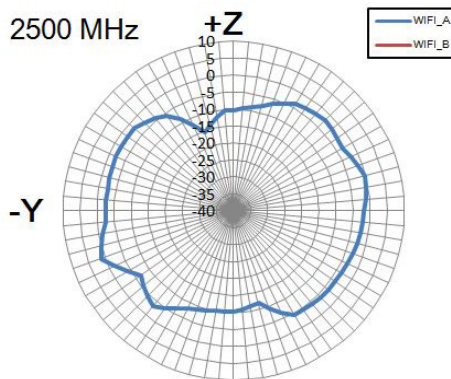
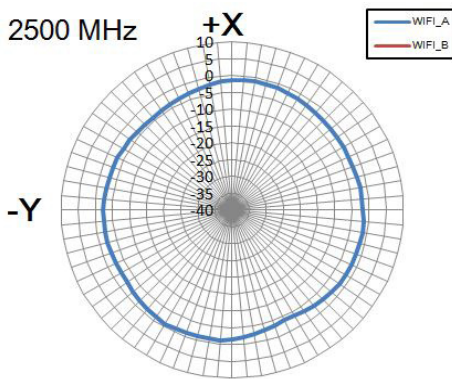
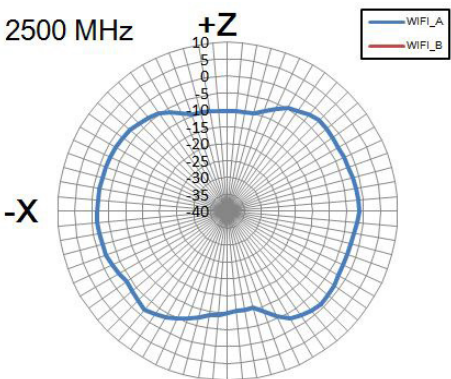
Radiation Performance

2450 GHz

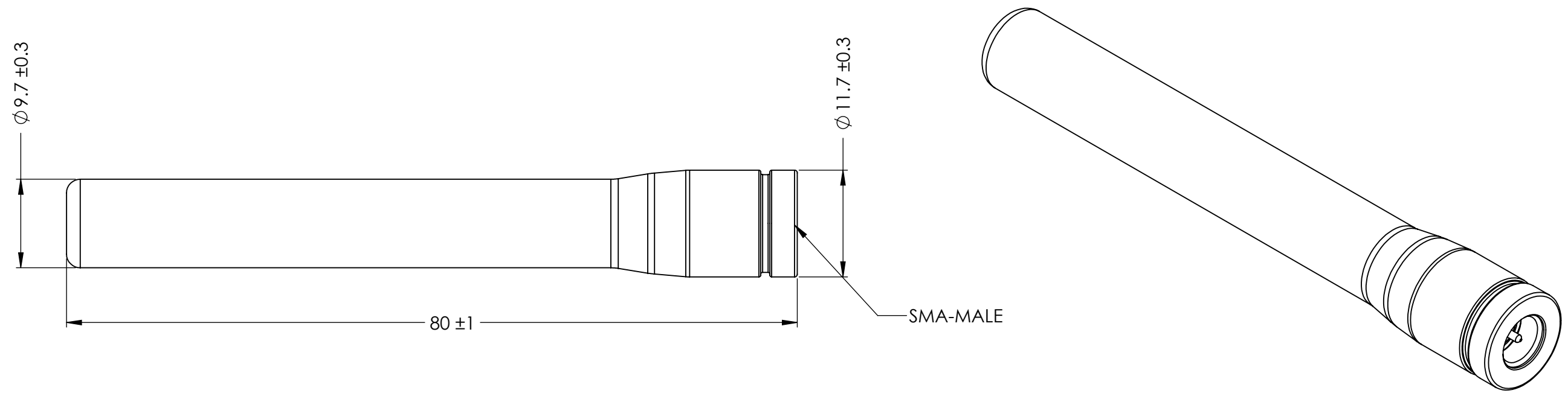


Radiation Performance

2500 GHz



DRAWING REVISION HISTORY			
REV	DESCRIPTION	DATE	BY
A	INITIAL RELEASE	2020-11-20	QZ



- NOTES:
1. FREQUENCY: 2400-2500MHZ
 2. VSWR: ≤ 2.0
 3. GAIN: 2 ± 1 DBI
 4. IMPEDONCE: 50Ω
 5. RADIATION: OMNI
 6. POLARIZATION: VERTICAL
 7. CONNECTOR: SMA-MALE
 8. WATERPROOF LEVEL: IP66
 9. OPERATING TEMPERATURE: -40°C - 80°C

ITEM 100-00152-01 REVISION HISTORY			
REV	DESCRIPTION	DATE	BY
A	INITIAL RELEASE	2020-11-20	QZ

UNLESS OTHERWISE SPECIFIED:	NAME	DATE
DIMENSIONS ARE IN MM	DRAWN	QZ 2020-11-20
TOLERANCES:	CHECKED	ZX 2020-11-20
FRACTIONAL \pm	ENG APPR.	NPC 2020-11-20
ANGULAR: MACH $\pm .5^{\circ}$ BEND \pm	MFG APPR.	
INTEGER ± 2	Q.A.	
ONE PLACE DECIMAL $\pm .3$		
INTERPRET GEOMETRIC TOLERANCING PER:		
	CAD MAINTAINED. CHANGES SHALL BE INCORPORATED BY THE DESIGN ACTIVITY.	
THIRD ANGLE PROJECTION		
DO NOT SCALE DRAWING		

MAXTENA, INC		
TITLE: 100-00152-01 MEA-2400-SMA		
SIZE	DWG. NO.	REV
B	117-00370-01	A
CAGE CODE: 5KQH7	SCALE: NONE	SHEET 1 OF 1

PROPRIETARY AND CONFIDENTIAL
THE INFORMATION CONTAINED IN THIS DRAWING IS THE SOLE PROPERTY OF MAXTENA, INC. ANY REPRODUCTION IN PART OR AS A WHOLE WITHOUT THE WRITTEN PERMISSION OF MAXTENA, INC IS PROHIBITED.